

S U P P L E M E N T F O R M O D E L :
31871

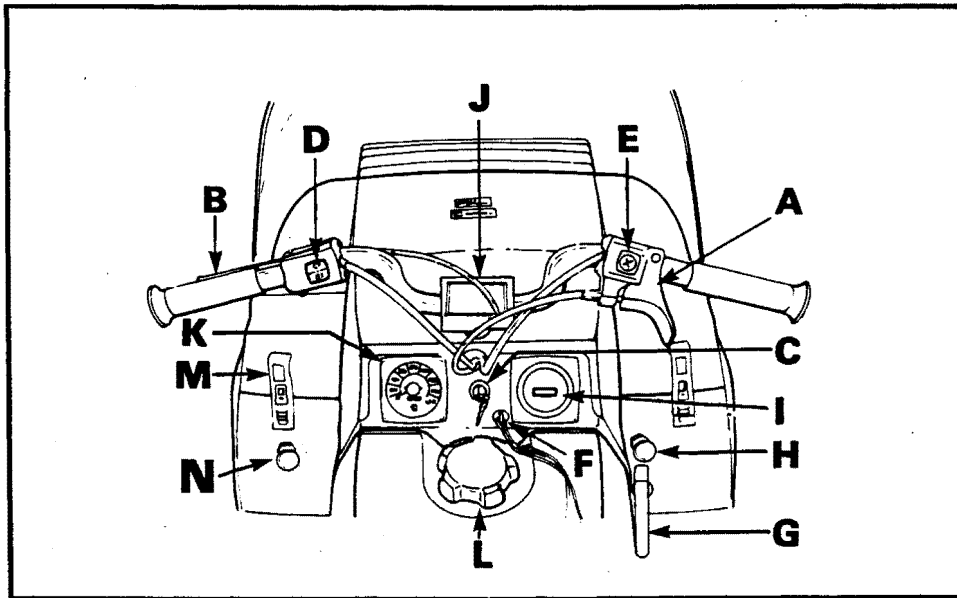
REFERENCE: CONTRACT DAAE07-84-C-A011

This correction sheet must be used in correlation with
the 1984 Skandic operator's manual (P/N 414 5071 00)

SKANDIC *371

**OPERATOR'S
MANUAL**

1984



- | | |
|-----------------------------|-------------------------------|
| A) Throttle Control Lever | I) Hour-Meter |
| B) Brake Control Lever | J) Adjustable Steering Handle |
| C) Ignition/Light Switch | K) Speedometer |
| D) Headlamp Dimmer Switch | L) Fuel Gauge/Tank Cap |
| E) Emergency Cut-Out Switch | M) Hood Opening |
| F) Tether Cut-Out Switch | N) Black-Out Switch |
| G) Rewind Starter Handle | |
| H) Primer | |

I) **HOURL-METER**

The hour-meter indicates the total number of engine running hours.

N) **BLACK-OUT SWITCH**

The black-out switch turns off all lights on the vehicle.

◆ **WARNING:** The engines and the corresponding components identified in the operator's manual should not be utilized on product(s) other than that mentioned on the cover page of the operator's manual.

ELECTRIC CHART

