

1977

WARRANTY AND CONSUMER GUIDE BOOKLET



ski-doo[®]
snowmobiles

DEAR OWNER,

Since the founding of Bombardier Limited in 1942, we have strived to attain the utmost in product design and overall performance. You have our word on this!

To back-up our product, we have established the world's largest snowmobile dealer network, so that wherever you are in snow country, service is always available.

Furthermore, we stand behind our snowmobiles with a complete warranty program. This booklet explains this warranty, and indicates who to contact should you encounter problems. Please read it carefully.

Ride safe and have fun snowmobiling.

Trade and Consumer Affairs
Recreational Product Division



TABLE OF CONTENT

	PAGE
THE 1977 "LIMITED WARRANTY"	2, 3
OFTEN ASKED QUESTIONS	4, 5
CONSUMER GUIDE	6
LISTING OF AREA DISTRIBUTORS	7
10 HOUR INSPECTION	8, 9
HOW TO IDENTIFY YOUR SNOWMOBILE	10
CHANGE OF ADDRESS OR OWNERSHIP	11, 12

NOTE: Information relating to the safe use and proper maintenance of your snowmobile is contained in the Operator Manual and "Snowmobile Safety Handbook".

LIMITED WARRANTY 1977 MODEL SKI-DOO® SNOWMOBILE

Bombardier Limited (BOMBARDIER),
as manufacturer,

WARRANTS

FROM THE DATE OF FIRST CONSUMER SALE every 1977 SKI-DOO® snowmobile sold as a

NEW VEHICLE by an authorized SKI-DOO dealer for a period of:

Twelve (12) consecutive months for ELAN®, OLYMPIQUE*, T'NT® and EVEREST® models;

Ninety (90) consecutive days for RV* and ALPINE® models subject to the following:

1. When a sale is made after MARCH 31ST of a given year but before THE 1ST DAY OF DECEMBER of the same year the warranty will start on DECEMBER 1ST following the date of sale.
2. When a sale is made on / or after JANUARY 2ND of a given year, the unused portion of the 90 days warranty as of MARCH 31ST, of that year will be carried over to the next winter season, beginning the 1ST DAY OF DECEMBER.

BOMBARDIER will repair and / or replace, at its option, components defective in material and / or workmanship (under normal use and service,) with a genuine BOMBARDIER component without charge for parts or labour at any authorized SKI-DOO dealer.

EXCLUSION

Items and components:

Any expendable items and / or components that are damaged or worn due to normal use or lack of proper maintenance, are excluded from this warranty.

BOMBARDIER under this warranty, will not remedy or pay for the following:

- Damage resulting from installation of parts other than genuine BOMBARDIER parts.
- Damage caused by failure to provide proper maintenance as detailed in the Operator Manual supplied with each new SKI-DOO snowmobile. The labour, parts and lubricants cost of all maintenance services, services, including tune-ups and adjustments will be charged to the owner.
- Damage resulting from improper servicing or adjustment of the drive pulley assembly. The drive pulley assembly is factory sealed, and can only be serviced by an authorized SKI-DOO dealer.
- Damage resulting from operation of the snowmobile on surfaces other than snow.

- Damage resulting from accident, fire or other casualty, misuse, abuse or neglect.
- Damage resulting from modification to the snowmobile not approved in writing by BOMBARDIER.
- Losses incurred by the snowmobile owner other than parts and labour, such as, but not limited to, transportation, towing telephone calls, taxis, or any incidental or consequential damages.

Some states do not allow the exclusion or limitation of incidental or consequential damages, so the above limitation or exclusion may not apply.

CONDITION TO HAVE WARRANTY WORK PERFORMED

Present, to the servicing dealer, the hard copy of the SKI-DOO Customer Warranty Registration card given by the selling dealer at time of purchase.

CONSUMER ASSISTANCE

If a servicing problem or other difficulty occurs; we suggest the following:

1. Try to resolve the problem at the dealership with the Service Manager or owner.
2. If this fails, contact your area distributor listed in this consumer guide booklet.
3. Then if your grievance still remains unsolved, you may write to us:
Bombardier Limited
Trade and Consumer Affairs
Recreational Product Group
 Valcourt, Quebec, Canada, J0E 2L0

PLEASE PROVIDE ALL NECESSARY DETAILS INCLUDING:

- Model and serial number
- Date of purchase
- Name and address of your selling or servicing dealer
- Problem

This warranty gives you specific rights, and you may also have other legal rights which may vary from state to state.

Where applicable this warranty is expressly in lieu of all other expressed or implied warranties of BOMBARDIER, its distributors and the selling dealer, including any warranty of merchantability of fitness for any particular purpose; otherwise the implied warranty is limited to the duration of this warranty. However, some states do not allow limitations on how long an implied warranty lasts, so the above limitation may not apply.

Neither the distributor, the selling dealer, nor any other person has been authorized to make any affirmation, representation or warranty other than those contained in this warranty, and if made, such affirmation, representation or warranty shall not be enforceable against BOMBARDIER or any other person.

MARCH 1976

BOMBARDIER LIMITED
 Valcourt, Quebec,
 Canada.

*Trademark of Bombardier Limited


OFTEN ASKED QUESTIONS

Q: Why must my snowmobile be registered? After all I do have my original invoice as proof of when I purchased my snowmobile.

A: The information provided by the Customer Warranty Registration card is computerized, and all warranty claims thereafter, are processed by the computer. Without this valuable information on the Warranty Registration Card, we cannot acknowledge warranty or notify owners of a possible recall.

Q: How do I know my vehicle has been registered at the factory?

A: When you bought your snowmobile the dealer should have completed, signed and forwarded us the manufacturer's copy of the Customer Warranty Registration. The hard copy of the card is your proof that the snowmobile is registered.

Model No./No. du Modèle		Serial No./No. de série	Engine Ser. No./No. Sér. du Moteur	Track Ser. No./No. Sér. Chen.
<input type="text"/>		<input type="text"/>	<input type="text"/>	<input type="text"/>
Dealer's Name Nom du Concessionnaire		Distributor Code Code du distribut.	Dealer Code/ Code du concuss.	Date of Sale/ Date de la vente
<input type="text"/>		<input type="text"/>	<input type="text"/>	<input type="text"/>
Customer Name Mr./M. Nom du client	Mrs./Mme Miss/Mlle	First Name/Prénom	Family Name/Nom de famille	
Address/Adresse		<input type="text"/>		
City/Ville		<input type="text"/>		
State/Province—Zip code/Code postal		<input type="text"/>		
		Customer's copy / Copie du client		Part No. 484 0161

Q: If I sell my snowmobile within the warranty period, will the new owner qualify for the balance of the warranty?

A: Yes, provided the unit has already been registered with the manufacturer.

Q: I bought my snowmobile in O'King County but I snowmobile in Washington County. Can the dealer in Washington County accept to perform warranty work on my snowmobile?

A: Yes, any authorized dealer in North America can perform warranty repairs, providing the customer warranty registration card is presented.

Q: Manufacturer does not accept warranty work on seized, scored or melted pistons, why?

A: From testing and experience, we know that such piston failures can only be caused by detonation or pre-ignition, which are directly related to the following factors and therefore, are beyond the manufacturer's control.

- *Lean carburetor settings.*
- *Use of no-lead or low-lead gasoline or use of regular gasoline when premium is recommended.*
- *Incorrect oil / gas mixture (too little or too much oil).*
- *Poor quality, outboard or straight mineral oils.*
- *Removal of intake silencer.*
- *Retarded or advanced ignition timing.*
- *Hot spark plug(s) (improper heat range).*

Q: Where can I find information on the lubrication and maintenance of my snowmobile?

A: In the Operator Manual provided with the vehicle at the time of first sale.

Q: As I read through the warranty, I find that expendable items are not covered. What are some examples of expendable items?

A: Expendable items are those subject to wear and tear through normal use. To list a few, light bulbs, spark plugs, brake linings, belts, suspension and ski runner shoes, etc....

WHEN YOU BUY

Our product, you will receive:

SERVICE - from the product itself.

SERVICE - from the dealer who sells the product.

IF...

The product or service is unsatisfactory: Return to your dealer's service department and discuss the details of the problem with the manager. He is in a position to help you with most maintenance and service needs. If the matter cannot be resolved, he may want to bring the Sales or the General Manager into the discussion.

IF...

The dealer cannot solve the problem, you may want to write to your nearest area distributor.

TELL HIM THE FACTS

List:

- Model and serial number.
- Date of purchase.
- Name and address of your selling dealer.
- Your name, address and phone number.

Describe what's wrong. Please be specific. The matter will receive immediate attention from the distributor's service department.

HOWEVER...

If at this point your grievance still remains unresolved, you may write to:

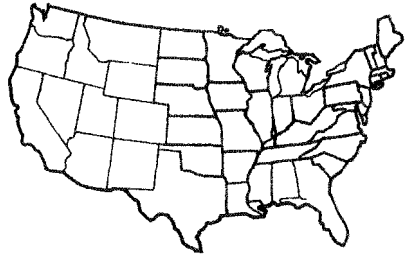
**BOMBARDIER LIMITED
TRADE AND CONSUMER AFFAIRS
RECREATIONAL PRODUCTS GROUP,
VALCOURT, QUEBEC,
CANADA, J0E 2L0**

Please provide all necessary details (including the names of persons previously contacted).

Your problem will be reviewed then instructions will be provided to the person directly responsible for product service in your area; or we will contact you directly.

Please remember, the best person to help you is yourself... Give it a try!

LISTING OF AREA DISTRIBUTORS



CANADIAN DISTRIBUTORS

AMERICAN DISTRIBUTORS

ALPINE DISTRIBUTORS
3206 — 28th Avenue, Vernon, B.C.
(604) 545-1314

British Columbia

BOMBARDIER LIMITED
EASTERN CANADA DISTRIBUTION
DIVISION
(Atlantic Branch)
P.O. Box 670, Shediac, N.B.
(508) 532-4454

Prince Edward Island
Magdalen Island
Nova Scotia
New Brunswick

BOMBARDIER LIMITED
EASTERN CANADA DISTRIBUTION
DIVISION
(Quebec Branch)
1350 Nobel, Boucherville, P.Q.
(514) 527-4361

Quebec
East of Ontario

BOMBARDIER (ONTARIO) LTD
28 Currie St., Barrie, Ont.
(705) 728-8600

Ontario (less East of province)

BROOKS EQUIPMENT LTD
1616 King Edward St.,
P.O. Box 988, Winnipeg R3C 2U8, Man
(204) 772-2571

Manitoba
Saskatchewan

HUDSON'S BAY CO.
165 Hymus Boulevard,
Pointe-Claire, Quebec
(514) 697-8500

North-West Territories
Franklin District & Keewatin

J.W. RANDALL LIMITED
P.O. Box 757, Corner Brook,
Newfoundland
(709) 634-3533

Newfoundland
Labrador

TRACT EQUIPMENT LTD
14325 — 114th Ave., Edmonton, Alta
(403) 452-9910

Yukon
Alberta

CRAIG TAYLOR EQUIPMENT CO.
P.O. Box 3338, Anchorage,
Alaska 99501
(907) 272-3577

Alaska

ELLIOTT & HUTCHINS INC
East Main Street Road,
Melone, New York 12953
(518) 483-4411

New York, Massachusetts,
Connecticut, Rhode Island,
Pennsylvania, New Jersey,
Maryland, Delaware,
District of Columbia, Virginia.

TIMBERLAND MACHINES INC
10 Main St., North, Lancaster,
New Hampshire 03584
(603) 788-4738

Maine
New Hampshire
Vermont

BOMBARDIER CORPORATION
325 South Lake Avenue,
Duluth 2, Minn. 55802
(218) 628-2881

North Dakota
South Dakota
Minnesota
Wisconsin
Iowa
Illinois
Missouri
Michigan
Indiana
Ohio
Tennessee
Kentucky
W Virginia

BOMBARDIER WEST INC.
609 West Broadway
Idaho Falls, Idaho 83401
(208) 523-6870

California
Nevada
Montana
Idaho
Wyoming
Utah
Colorado
New Mexico
Arizona
Kansas
Nebraska
Washington
Oregon

10 HOUR INSPECTION

As with any precision piece of mechanical equipment, we suggest that after the first 10 hours of operation or 30 days after the purchase, whichever comes first, that specific items be checked by your dealer (see check list). This inspection will give you the opportunity to discuss the unanswered questions you may have encountered during the first hours of operation. Remember that it is easier to remedy at this time than to allow the snowmobile to operate until a possible failure occurs.

The 10 hour inspection is at the expense of the vehicle owner.

10 HOUR INSPECTION CHECK LIST	ELAN	OLYMPIQUE	EVEREST	T'NT	R / V	ALPINE
Engine timing	●	●	●	●	●	●
Fan belt tension (if applicable)	●	●	●			●
Spark plug condition	●	●	●	●	●	●
Carburetor adjustment (synchronization, if applicable).	●	●	●	●	●	●
Engine head nuts	●	●	●	●	●	●
Engine mount nuts	●	●	●	●	●	●
Muffler attachment	●	●	●	●	●	●
Chaincase or gearbox oil level	●	●	●	●	●	●
Chain tension						●
Battery electrolyte level (Electric start models).		●	●			●
Brake operation and lining condition	●	●	●	●	●	●
Ski alignment (runner condition)	●	●	●	●	●	●
Pulley alignment and drive belt condition	●	●	●	●	●	●
Track condition, tension and alignment	●	●	●	●	●	●
Lubricate (steering, suspension drive pulley if applicable).	●	●	●	●	●	●
Electrical wiring (loose connections, stripped wires, damaged insulation), tighten all loose bolts, nuts and linkage	●	●	●	●	●	●
Operation of lighting system (HI / LO beam, brake light, etc.), test operation of emergency cut-out switch and if applicable tether cut-out switch	●	●	●	●	●	●

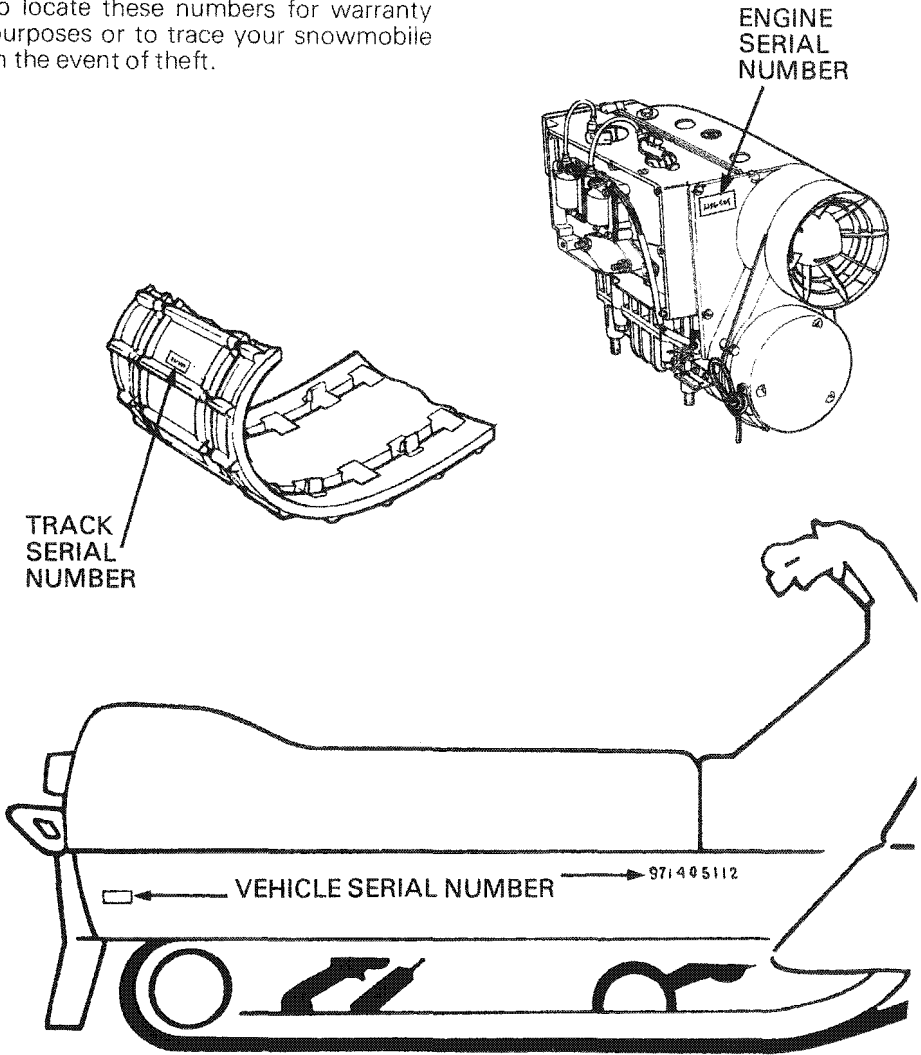
We recommend that you have your dealer sign this inspection

Date of 10 hour inspection

Dealer signature

HOW TO IDENTIFY YOUR SNOWMOBILE

The main components of your snowmobile (engine, track and frame) are identified by different serial numbers. It may sometimes become necessary to locate these numbers for warranty purposes or to trace your snowmobile in the event of theft.



NOTE: We strongly recommend that you take note of all the serial numbers on your vehicle and supply them to your insurance company. It will surely help in the event a snowmobile is stolen.

CHANGE OF ADDRESS AND OWNERSHIP

Any change in address or ownership should be brought to the attention of the manufacturer by completing and sending out the card supplied below. This will help us to maintain our files up-to-date.

CHANGE OF ADDRESS

VEHICLE SERIAL NUMBER

--	--	--	--	--	--	--	--	--	--	--	--	--	--	--	--	--	--	--	--

OLD ADDRESS:

NAME		
_____	_____	_____
NO	STREET	APT.
_____	_____	_____
CITY	STATE	ZIP / POSTAL CODE

NEW ADDRESS:

NAME		
_____	_____	_____
NO	STREET	APT.
_____	_____	_____
CITY	STATE	ZIP / POSTAL CODE

CHANGE OF OWNERSHIP

VEHICLE SERIAL NUMBER

--	--	--	--	--	--	--	--	--	--	--	--	--	--	--	--	--	--	--	--


The ownership of this vehicle is transferred

FROM:

NAME		
_____	_____	_____
NO	STREET	APT.
_____	_____	_____
CITY	STATE	ZIP / POSTAL CODE

TO:

NAME		
_____	_____	_____
NO	STREET	APT.
_____	_____	_____
CITY	STATE	ZIP / POSTAL CODE



BOMBARDIER LIMITED
WARRANTY ADMINISTRATION DEPT.
VALCOURT, QUEBEC
CANADA, J0E 2L0

BOMBARDIER LIMITED
WARRANTY ADMINISTRATION DEPT.
VALCOURT, QUEBEC
CANADA, J0E 2L0



model _____

serial nos _____

(SEE RIGHT HAND SIDE OF THE FRAME)

purchase date _____

warranty expiry date _____

DEALER IMPRINT AREA



**Recreational
Products**

484 0186 00

LITHO'D IN CANADA