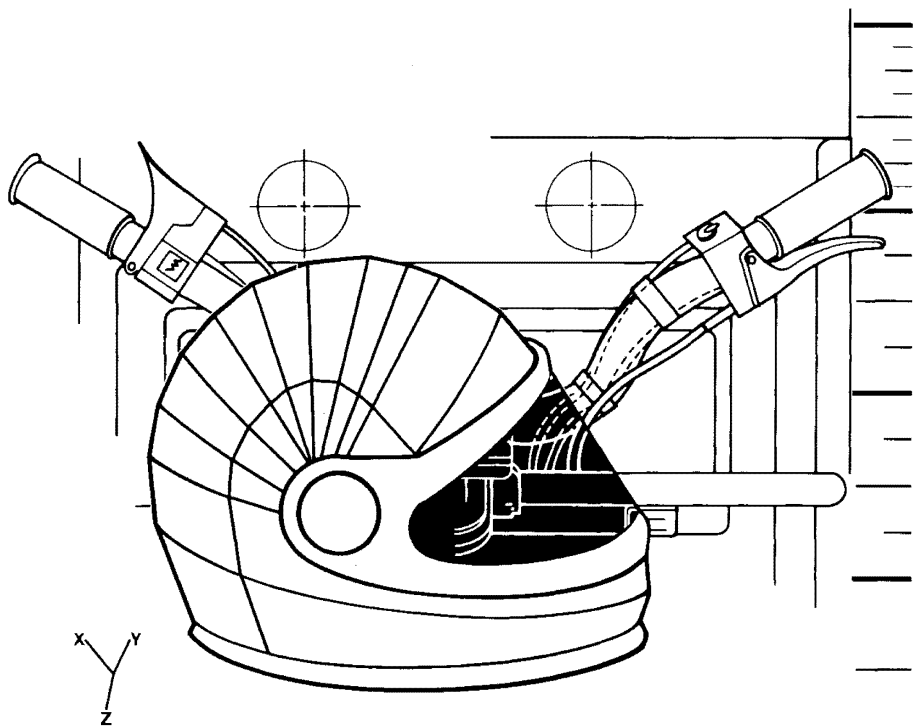


operator's manual

ALPINE® II




1989

SUPPLEMENT FOR MODEL : 3348

This correction sheet must be used in conjunction with the *1989 Alpine II operator's manual* (P/N 414 6400 00)

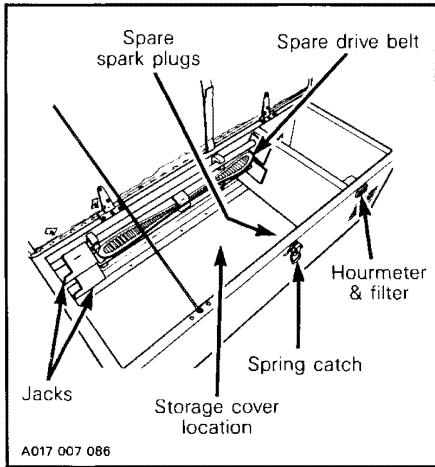
414 6918 00

 **WARNING** : The engine and the corresponding components identified in the operator's manual should not be utilized on product(s) other than that mentioned on the cover page of the operator's manual.

CONTROLS/INSTRUMENTS _____

Seat compartment

Unfasten spring catch and tip seat over from right side. Two jacks and a spare drive belt are hold by brackets on left side of seat compartment, note their positions for proper storage. Two spare spark plugs are screwed on a support on right side of seat compartment. The storage cover is also located in seat compartment.

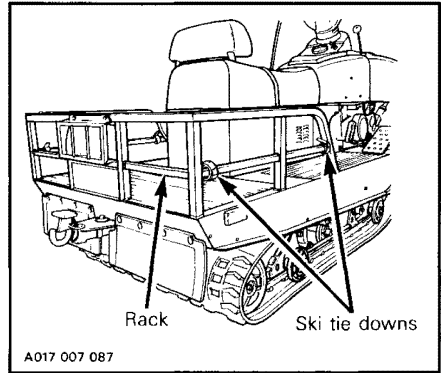


Hour meter

The hour meter and its filter are located in battery compartment at front of seat compartment. The hour meter indicates the total number of engine running hours.

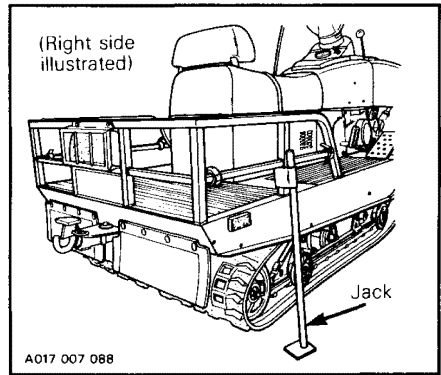
Ski tie downs

On each side of rack, two ski tie downs are riveted.



Jack utilization

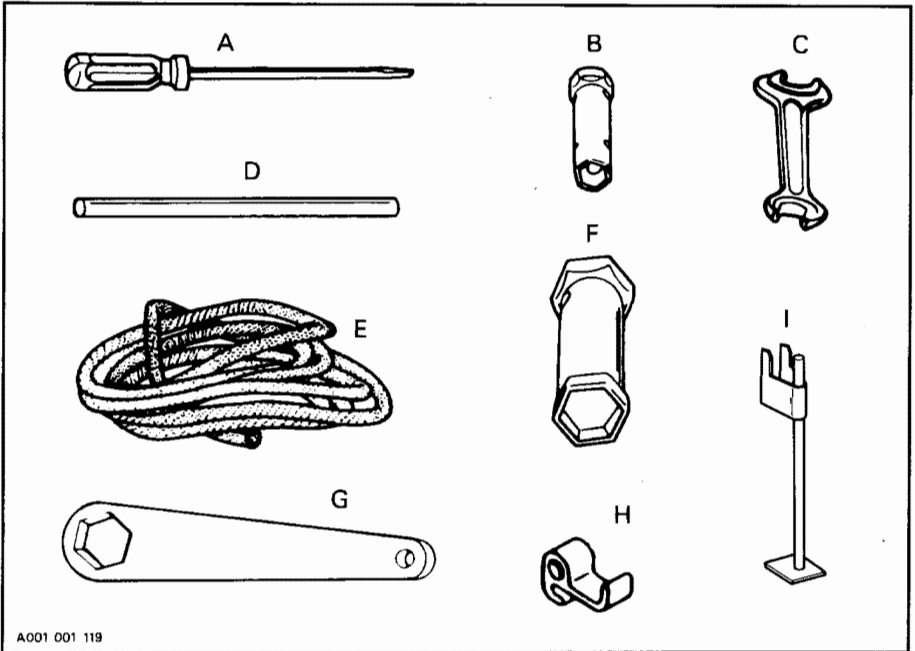
Install jacks as illustrated to support rear portion of vehicle off the ground.



TOOLS

As standard equipment each new snowmobile is supplied with basic tools such as screwdriver, wrenches, emergency starting rope, etc.

Standard Tools

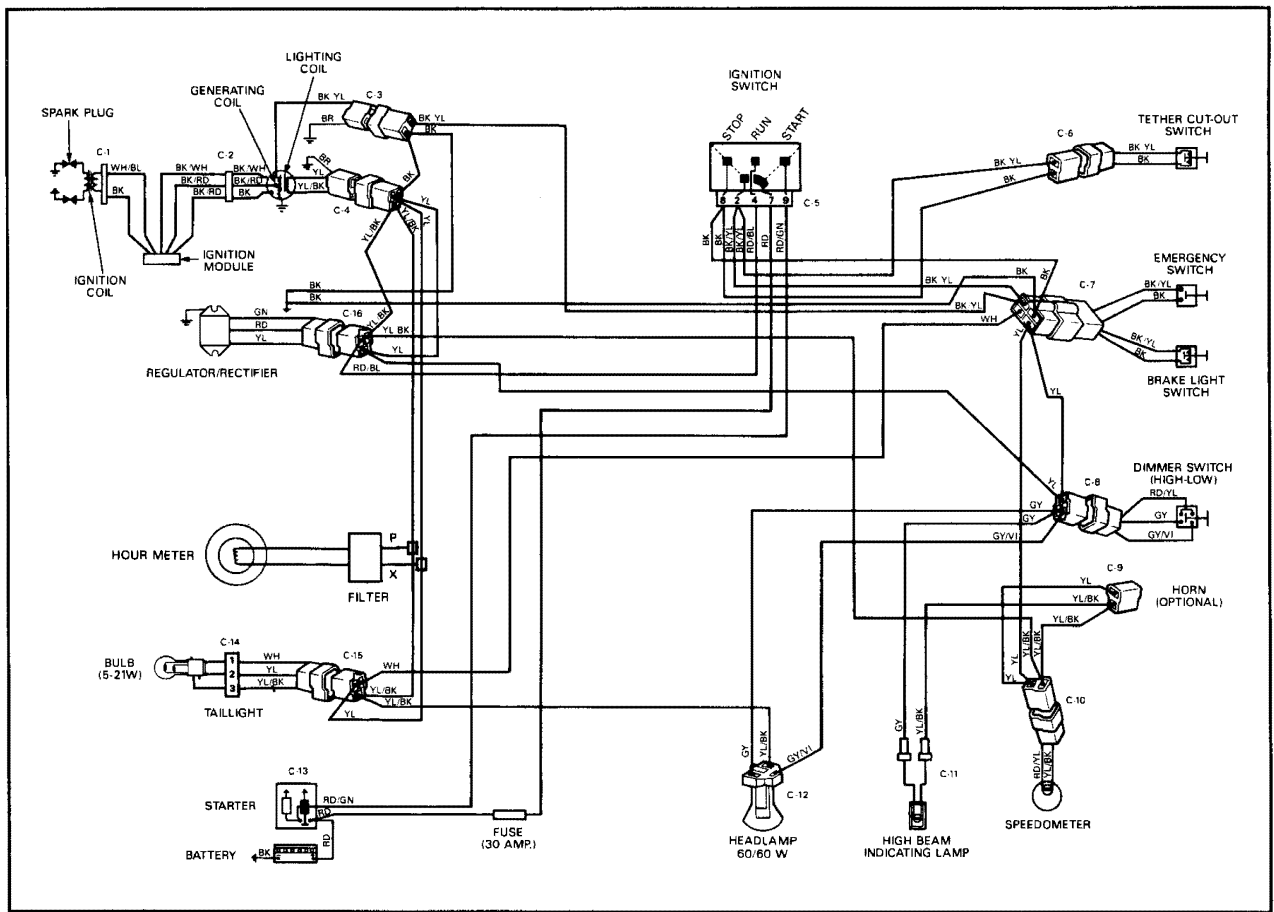


A001 001 119

- | | |
|-----------------------------|--|
| A. Screwdriver | F. Socket 21/26 mm |
| B. Socket 10/13 mm | G. Hexagonal wrench
(adjuster blocks) |
| C. Open end wrench 10/13 mm | H. Emergency starter clip |
| D. Socket wrench handle | I. Jack (2) |
| E. Emergency starting rope | |

WIRING DIAGRAM

Alpine II military



LOCATION OF CONNECTORS

C-1, C-2, C-3, C-4 : On engine, right side

C-5, C-6, C-7, C-8, C-9, C-10, C-11 :

Underneath dashboard

C-12 : Near headlamp

C-13 : Near electric starter

C-14 : On taillight housing

C-15 : Under carburetor

C-16 : Near regulator/rectifier

COLOUR CODES	
BK -- BLACK	GN -- GREEN
WH -- WHITE	GY -- GREY
RD -- RED	VI -- VIOLET
BL -- BLUE	OR -- ORANGE
YL -- YELLOW	BR -- BROWN