

# Operator's manual

SUPPLEMENT FOR MODEL: 3343

REFERENCE: CONTRACT 06 TY 1091W-3634257

This correction sheet must be used in correlation with  
the 1986 Alpine operator's manual (P/N 414 5720 00)

# Alpine® 503

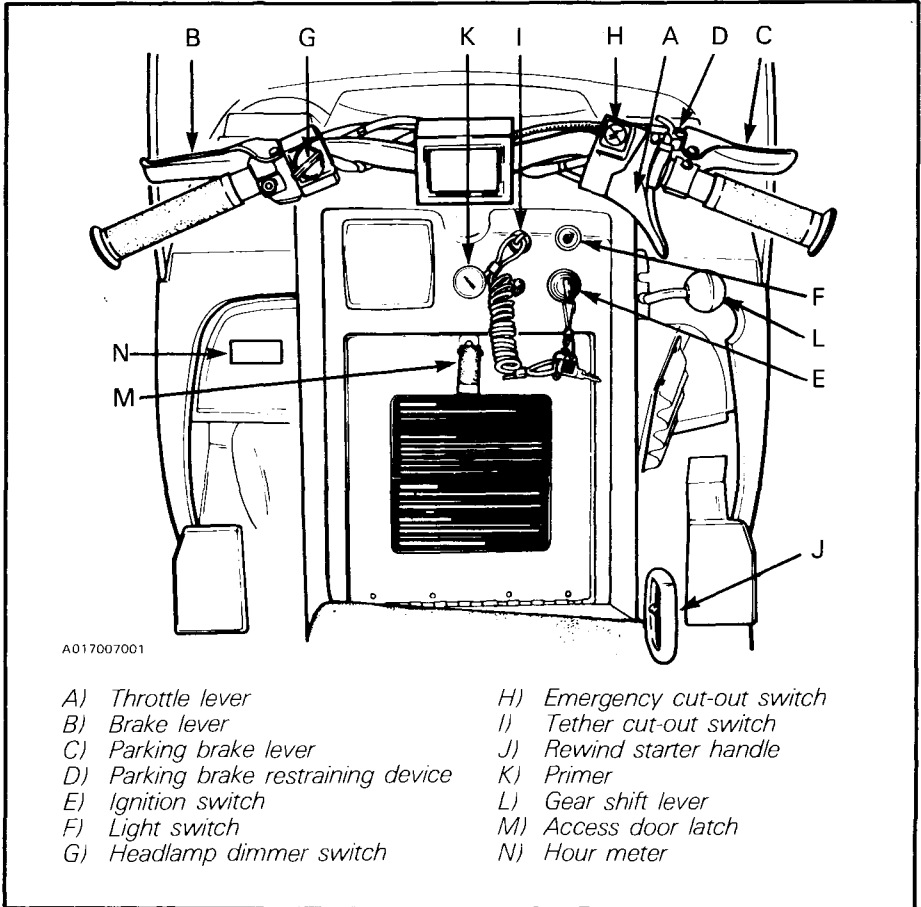


# 1986

414 5841 00



# CONTROLS / INSTRUMENTS



## **N) Hour meter**

The hour meter indicates the total number of engine running hours

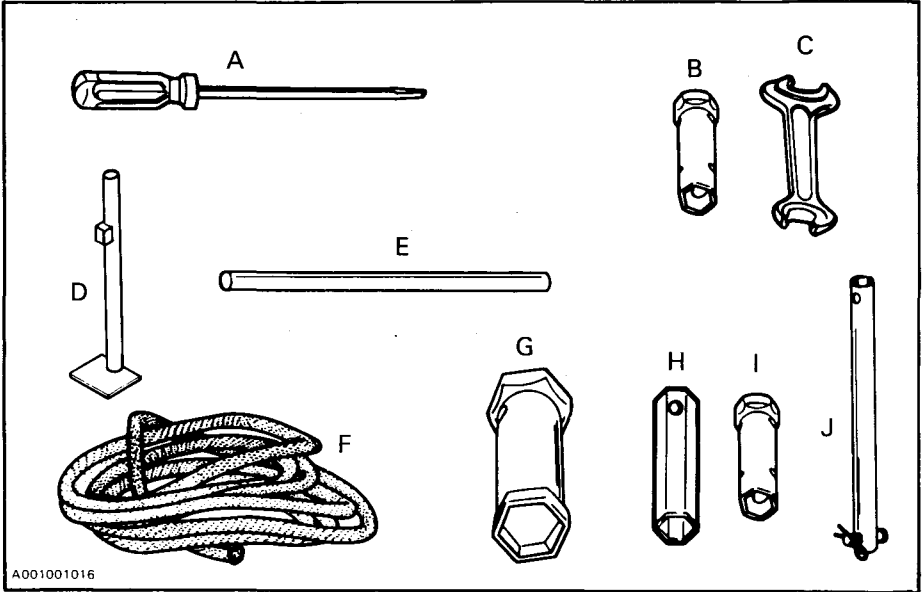
**◆ WARNING:** The engines and the corresponding components identified in the operator's manual should not be utilized on product(s) other than that mentioned on the cover page of the operator's manual.

# TOOLS

---

As standard equipment, each new snowmobile is supplied with a basic tool kit such as screwdriver, wrenches, emergency starter rope, etc..

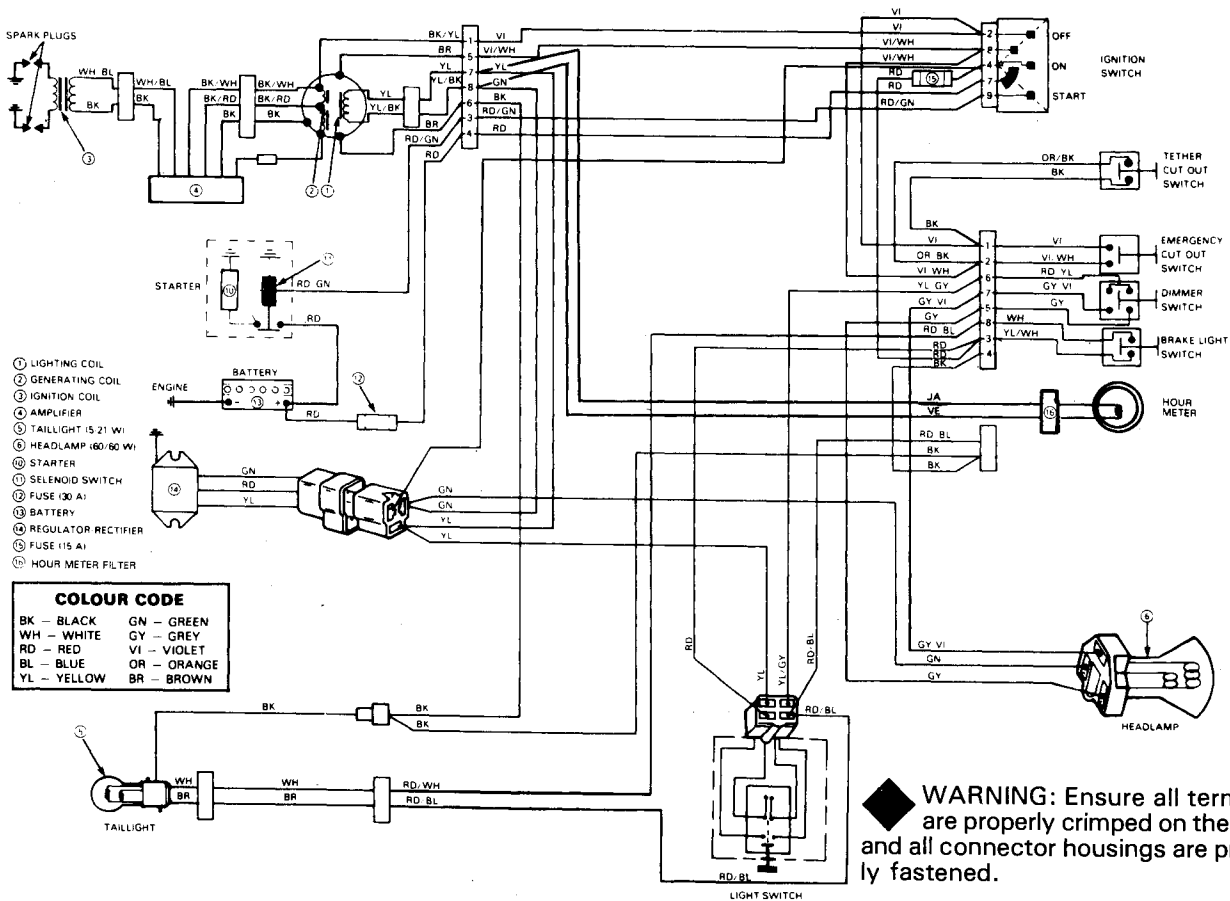
## Standard Tools



- A. Screwdriver
  - B. Socket 10 / 13 mm
  - C. Open end wrench 10 / 13 mm
  - D. Jack
  - E. Socket wrench handle
  - F. Starter rope
  - G. Socket 21 / 26 mm
  - H. Extension bar
  - I. Socket 11 / 13 mm
  - J. Spark plug socket extension with retainer pins
-

# WIRING DIAGRAM

## ALPINE MILITARY



# NOTES

---