

BOMBARDIER

ski-doo

PARTS MANUAL



1966 ALL MODELS

OLYMPIC, SUPER OLYMPIC, ALPINE

BOMBARDIER SNOWMOBILE LTD.

VALCOURT, QUE., CANADA

Bombardier
ski-doo 1966
the light-footed snowmobile

OLYMPIQUE
SUPER-OLYMPIQUE
ALPINE

BOMBARDIER SNOWMOBILE LTD.

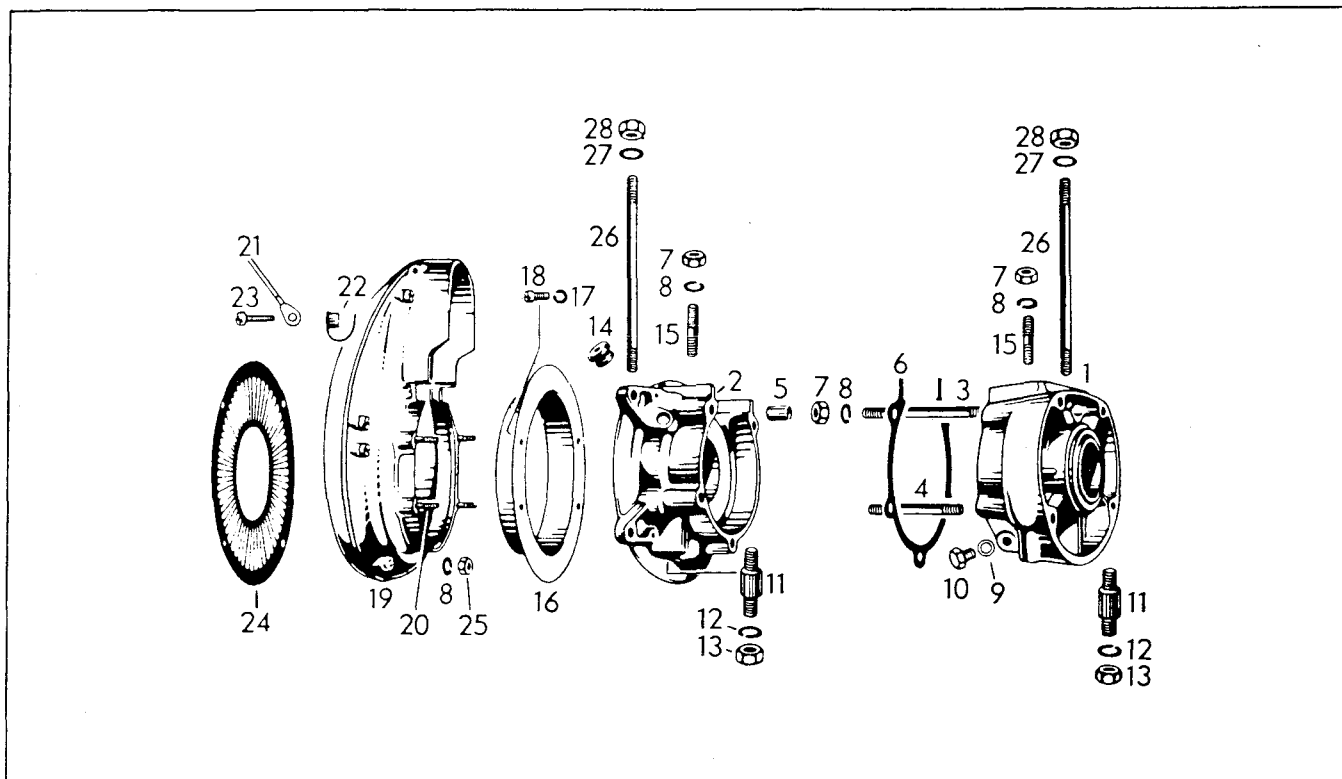
VALCOURT, QUE., CANADA

Bombardier
ski-doo 1966
the light-footed snowmobile

OLYMPIQUE
SUPER-OLYMPIQUE
ALPINE

BOMBARDIER LTD.

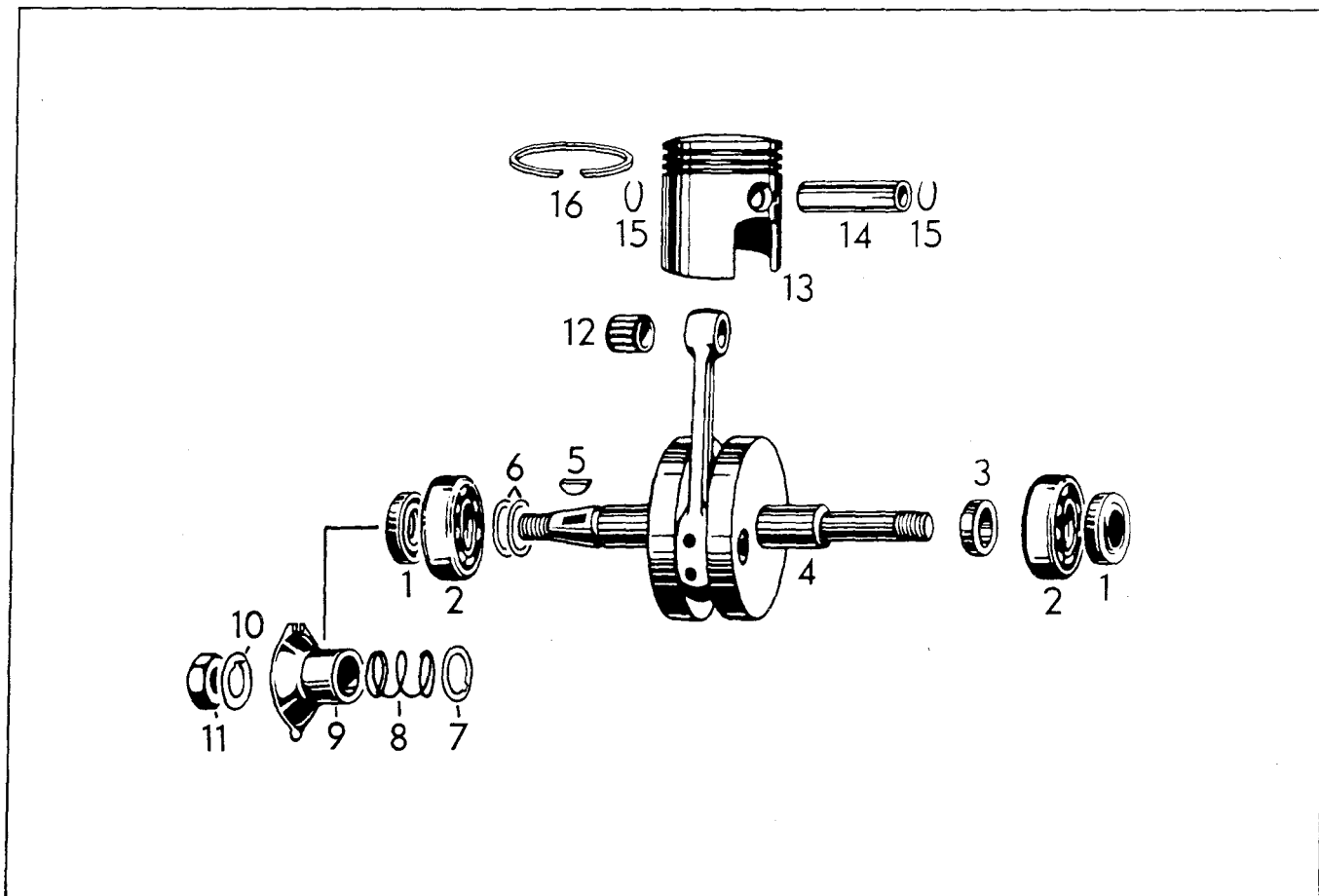
CRANKCASE :



ITEM No.	PART No.	DESCRIPTION	QUANTITY		ITEM No.	PART No.	DESCRIPTION	QUANTITY	
			REG.	A.S.				REG.	A.S.
1-2-3					15	402 0030	Cylinder stud	4	
4-5	402 0005	Crankcase complete	1	1	16	402 0037	Sealing ring	1	1
3	402 0007	Crankcase bolt	2	2	17	402 0015	Lock washer	4	4
4	402 0009	Crankcase bolt	3	3	18	402 0040	Screw	4	4
5	402 1015	Crankcase dowel tube	2	2	19	402 0044	Fan cowl complete	1	1
6	402 0014	Crankcase gasket	1	1	20	402 0030	Stud	4	4
7	402 0018	Nut	5	5	21	402 0079	Mass cable, yellow	1	1
8	402 0016	Lock washer	5	5	22	402 0061	Ignition cable clamp	1	1
9	402 0019	Oil drain sealing washer	1	1	23	402 0057	Cable clamp screw	1	1
10	402 0020	Oil drain screw	1	1	24	402 0058	Fan cowl shield	1	1
11	402 0091	Distance sleeve	4	4	25	402 0018	Nut	4	4
	402 0023	Engine base collar stud	4	4	26	402 0076	Stud		4
12	402 0025	Lock washer	4	4	27	402 0031	Washer		4
13	402 0026	Nut	4	4	28	402 0018	Nut		4
14	402 0028	Ignition cable grommet	1	1					

BOMBARDIER LTD.

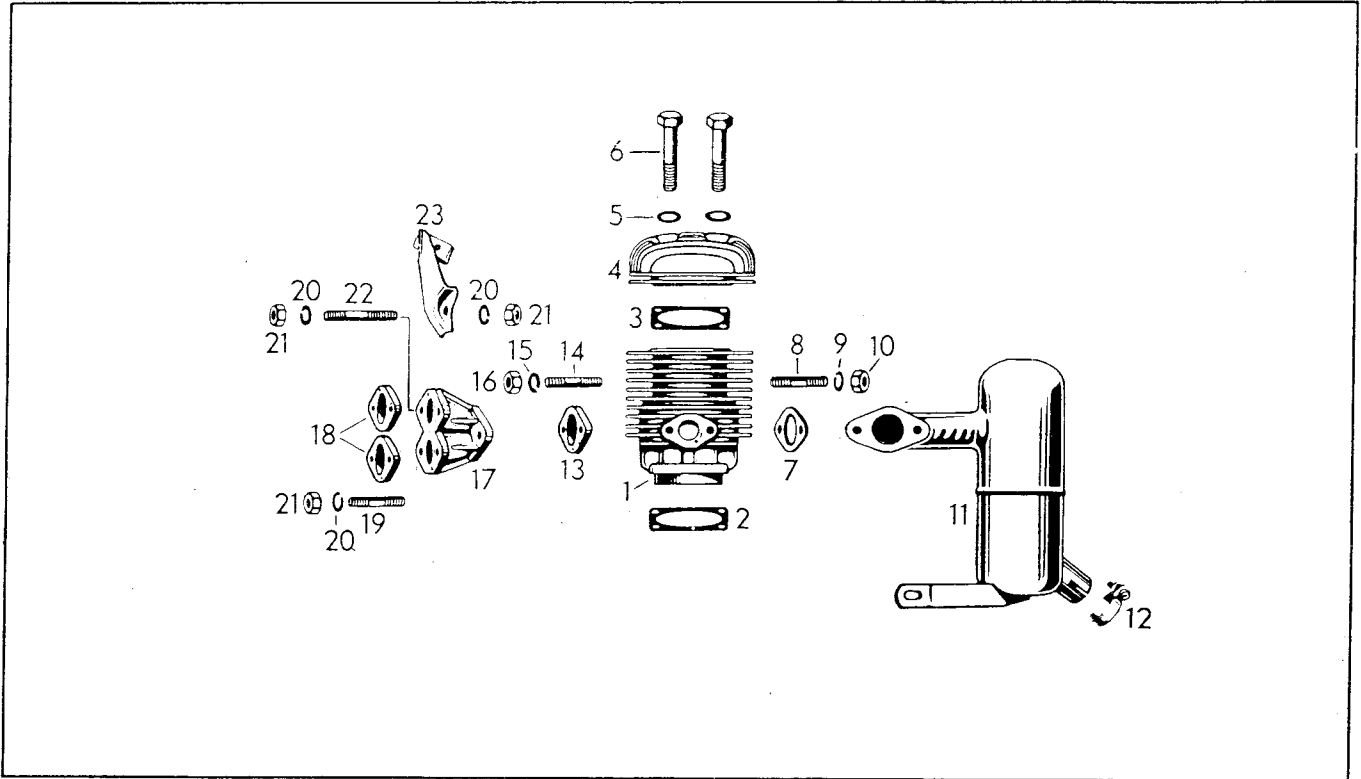
CRANKSHAFT



ITEM No.	PART No.	DESCRIPTION	QUANTITY		ITEM No.	PART No.	DESCRIPTION	QUANTITY	
			REG.	A.S.				REG.	A.S.
1	402 1002	Crankshaft oil seal	2	2	13	402 1055	Piston with 2 rings		1
2	402 1005	Crankshaft bearing	2	2	13	402 1050	Piston with 3 rings 69.5 mm - 1st oversize	1	
3	402 1012	Crankshaft sleeve	1	1	13	402 1051	Piston with 3 rings 70. mm - 2nd oversize	1	
4	402 1030	Crankshaft assy.	1	1	13	402 1052	Piston with 3 rings 70.5 mm - 3rd oversize	1	
5	402 1010	Crankshaft key	1	1	13	402 1090	Piston with 3 rings 71. mm - 4th oversize	1	
6	402 1023	Shim .2 mm	as required		14	402 1062	Piston pin	1	1
6	402 1024	Shim .3 mm	as required		15	402 1067	Circlip	2	2
6	402 1025	Shim .5 mm	as required		16	402 1079	Piston ring 69 mm	3	2
6	402 1026	Shim 1.0 mm	as required		16	402 1075	Piston ring 69.5 mm - 1st	3	
7	402 1035	Cam spring washer	1	1	16	402 1076	Piston ring 70 mm - 2nd	3	
8	402 1036	Breaker cam spring	1	1	16	402 1077	Piston ring 70.5 mm - 3rd	3	
9	402 1087	Breaker cam assy.	1	1	16	402 1078	Piston ring 71 mm - 4th	3	
10	402 1040	Lock washer	1	1					
11	402 1043	Nut	1	1					
12	402 1033	Needle cage, piston pin	1	1					
13	402 1054	Piston with 3 rings 69 mm - reg.	1						

BOMBARDIER LTD.

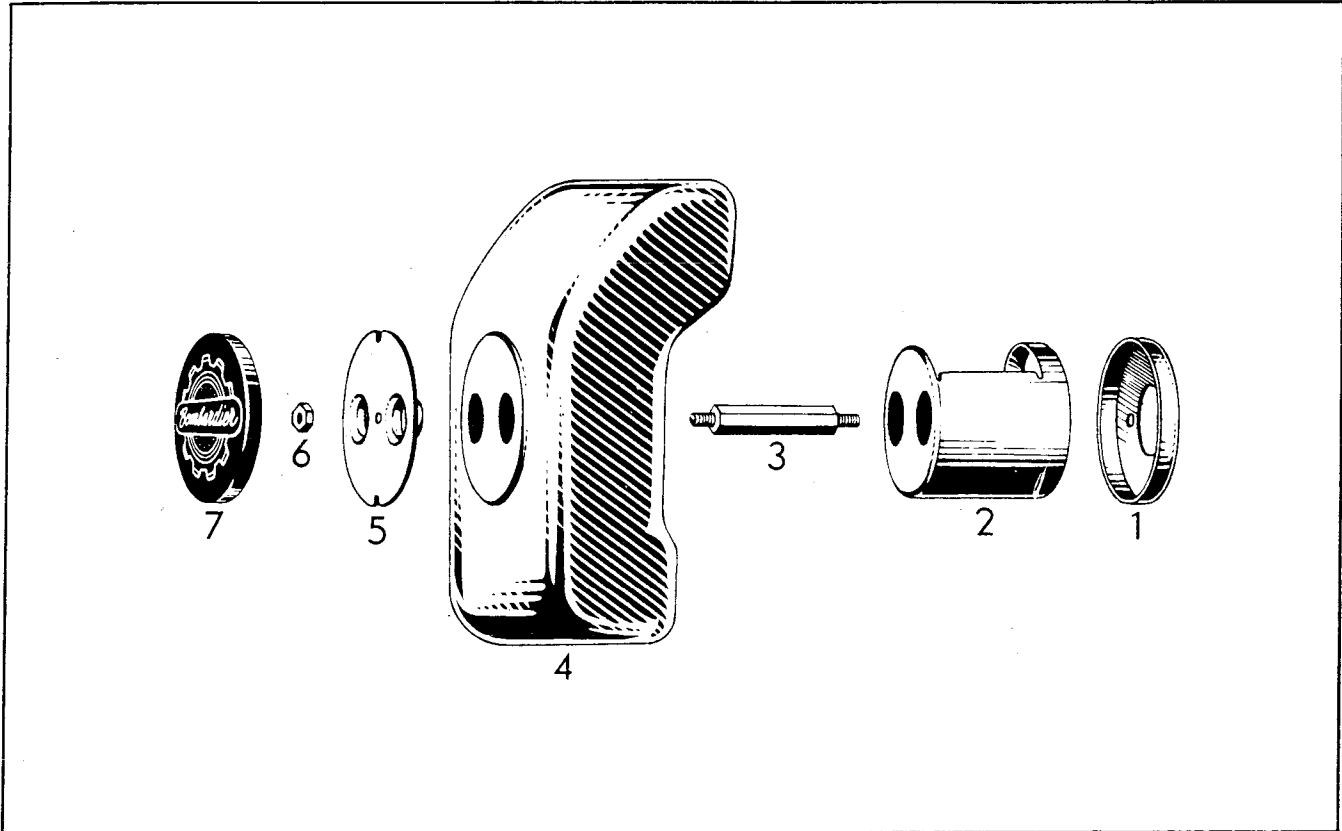
CYLINDER



ITEM No.	PART No.	DESCRIPTION	QUANTITY		ITEM No.	PART No.	DESCRIPTION	QUANTITY	
			REG.	A.S.				REG.	A.S.
1	402 2011	Cylinder	1		13	402 2054	Isolating flange	1	
1	402 2012	Cylinder		1	13	402 2055	Intake gasket		1
2	402 2006	Cylinder flange gasket	1	1	14	402 2021	Stud	2	
3	402 2030	Cylinder head gasket		1	14	402 2037	Intake flange stud		2
4	402 2028	Cylinder head	1		15	402 0015	Lock washer	2	
4	402 2029	Cylinder head		1	15	402 0016	Lock washer		2
5	402 2034	Cylinder head washer	4		16	402 2053	Nut	2	
6	402 2035	Cylinder head bolt	4		16	402 0018	Nut		2
7	402 2043	Exhaust flange gasket	1	1	17	402 2047	Intake manifold		1
8	402 2037	Exhaust flange stud	2		18	402 2054	Insulating flange		2
8	402 2038	Exhaust flange stud		2	19	402 2021	Intake manifold stud		3
9	402 0016	Lock washer	2	2	20	402 3005	Lock washer		5
10	402 0018	Nut	2	2	21	402 2053	Nut		5
11	402 2062	Muffler complete	1		22	402 2051	Intake manifold stud		1
11	402 2063	Muffler complete		1	23	402 2048	Bracket throttle cable housing		1
12	402 2049	Exhaust clamp	1	1					

BOMBARDIER LTD.

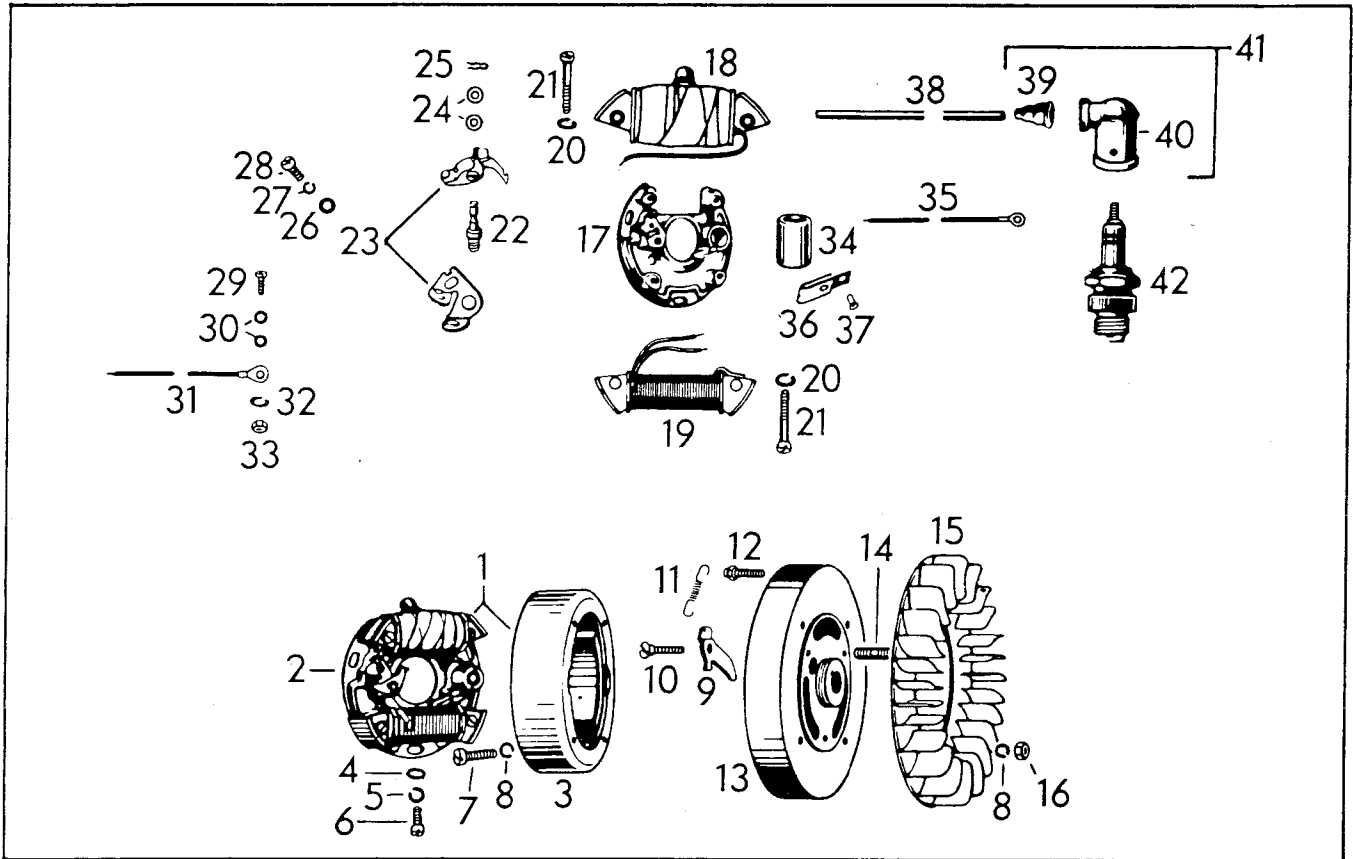
INTAKE SILENCER



ITEM No.	PART No.	DESCRIPTION	QUANTITY		ITEM No.	PART No.	DESCRIPTION	QUANTITY	
			REG.	A.S.				REG.	A.S.
1	402 3001	Silencer bottom	1		4	402 3010	Intake silencer ass'y		1
1	402 3002	Silencer bottom		1	5	402 3013	Retaining disk	1	
2	402 3005	Silencer socket	1		5	402 3014	Retaining disk		1
2	402 3006	Silencer socket		1	6	386 6013	Hex. nut 10/32	2	4
3	512 0019	Collar stud	2	4	7	402 3017	Bombardier cover	1	
4	402 3009	Intake silencer ass'y	1		7	402 3018	Bombardier cover		1

BOMBARDIER LTD.

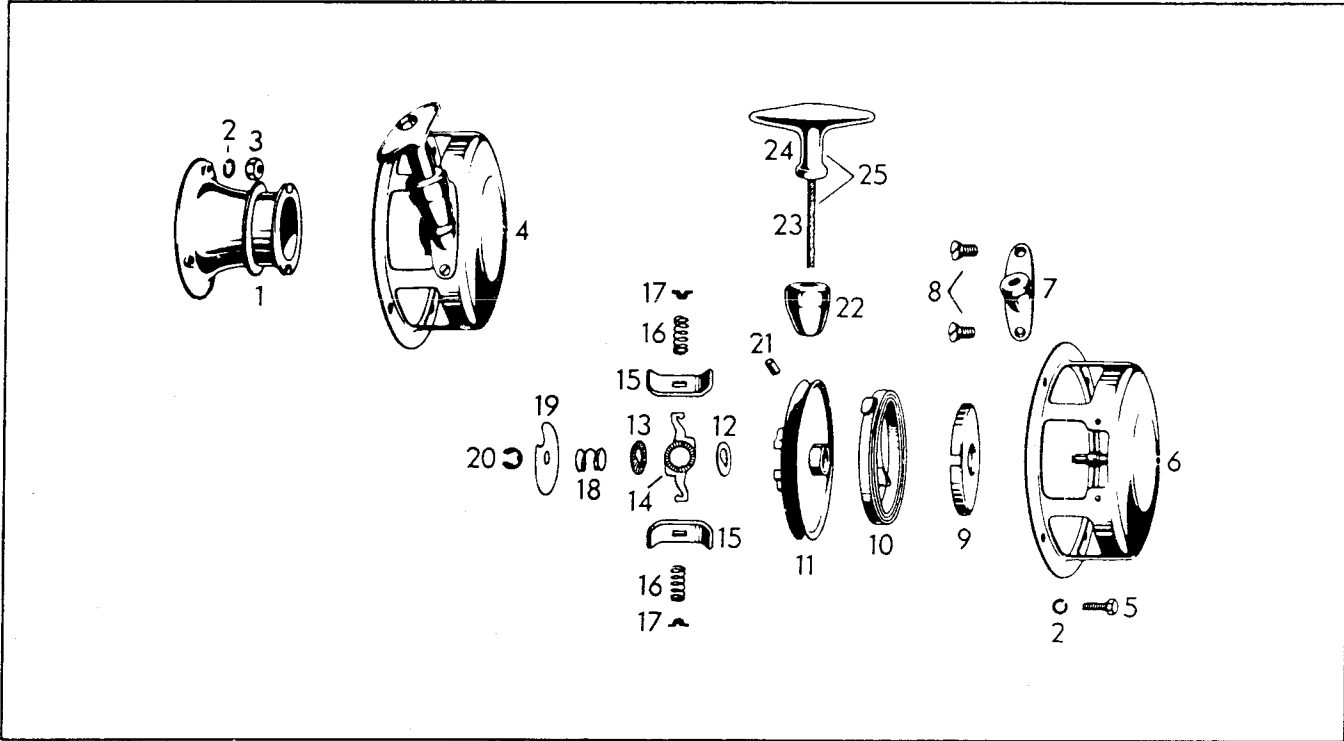
IGNITION



ITEM No.	PART No.	DESCRIPTION	QUANTITY		ITEM No.	PART No.	DESCRIPTION	QUANTITY	
			REG.	A.S.				REG.	A.S.
1	402 4010	Flywheel dynamo magneto complete unit	1	1	23	402 4050	Contact, breaker point set	1	1
2	402 4016	Armature plate complete	1	1	24	402 7016	Contact breaker shim 1. mm	as required	
3	402 4019	Magneto ring	1	1	24	402 7016	Shim .05 mm	as required	
4	402 4022	Armature plate washer	1	1	25	402 7016	Spring clip	1	1
5	402 4024	Armature plate lock washer	3	3	26	402 7016	Washer	1	1
6	402 5001	Armature plate bolt	3	3	27	402 7016	Lock washer	1	1
7	402 4027	Flywheel bolt	3	3	28	402 7016	Bolt	1	1
8	402 0015	Lock washer	8	8	29	402 7016	Bolt	1	1
9	402 4092	Centrifugal weight	1	1	30	402 7016	Washer	2	2
10	402 4094	Screw, bearing centrifugal weight	1	1	31	402 4061	Shorting button cable	1	1
11	402 4095	Spring centrifugal weight	1	1	32	402 7016	Lock washer	1	1
12	402 4091	Spring screw flywheel	1	1	33	402 7016	Nut	1	1
13	402 4105	Magneto housing	1	1	34	402 4088	Condenser without cable	1	1
14	402 4089	Stud M-6 x 15	2	2	35	402 4070	Condenser cable	1	1
15	402 4034	Fan	1	1	36	402 4071	Lubricating wick	1	1
16	402 2053	Nut	4	4	37	402 4072	Lubricating wick pivot	1	1
17	402 4037	Armature plate only	1	1	38	402 4074	Ignition cable	1	1
18	402 4040	Ignition coil	1	1	39	402 4097	Rubber grommet	1	1
19	402 4084	Lighting coil with cable	1	1	40	402 4076	Spark plug protector	1	1
20	402 4024	Lock washer	4	4	41	402 4076	Spark plug protector ass'y	1	1
21	402 4048	Bolt	4	4	42	402 4077	Spark plug M-225 T. 1	1	
22	402 4049	Pivot pin	1	1	42	402 4079	Spark plug M-240 T. 1		1

BOMBARDIER LTD.

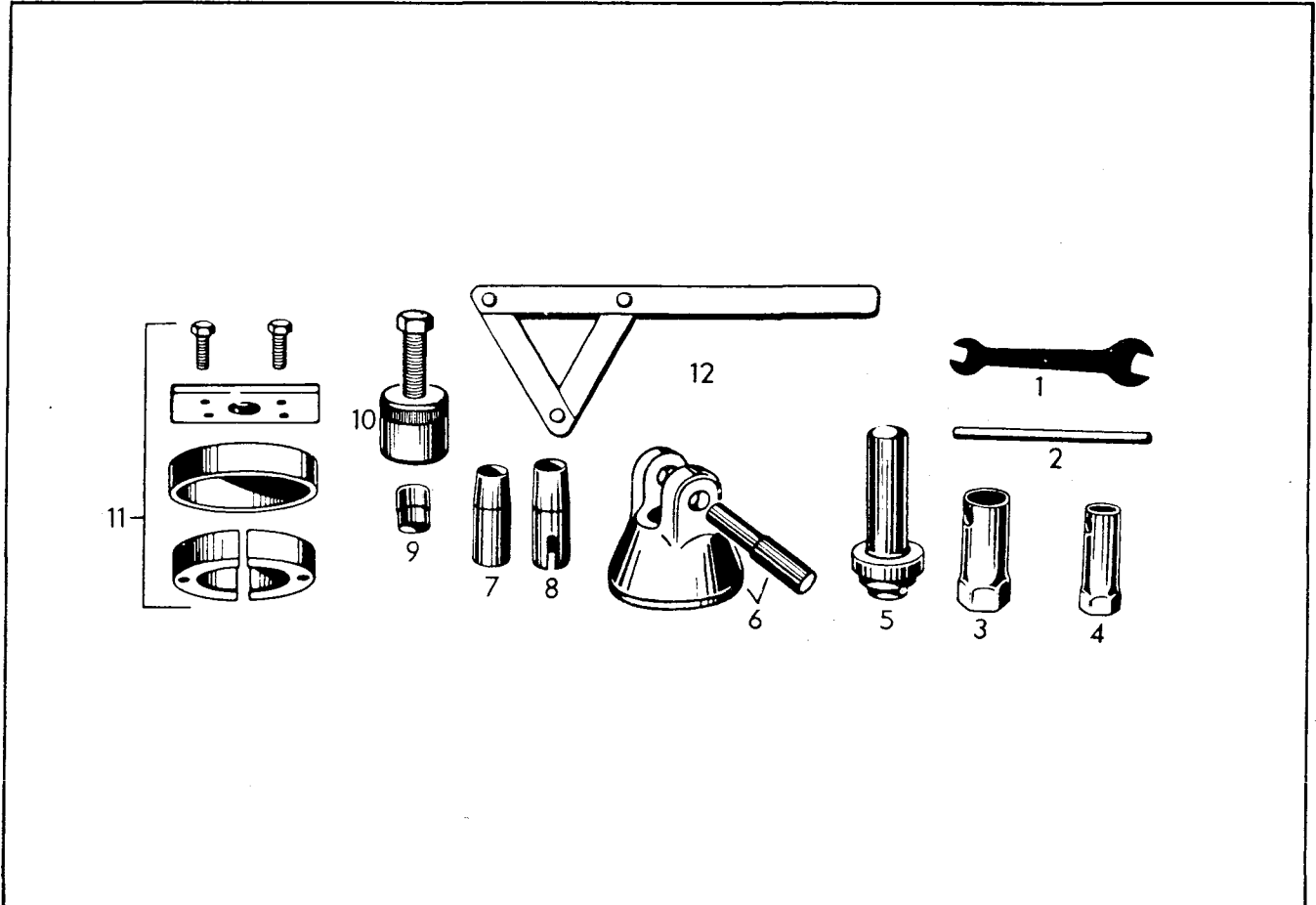
REWIND STARTER



ITEM No.	PART No.	DESCRIPTION	QUANTITY		ITEM No.	PART No.	DESCRIPTION	QUANTITY	
			REG.	A.S.				REG.	A.S.
1	402 5003	Starting pulley	1	1	13	402 5027	Friction washer	1	1
2	402 0015	Lock washer			14	402 5028	Pivot arm	1	1
		Starting pulley	3	3	15	402 5029	Pawl	2	2
		Rewind starter	4	4	16	402 5030	Pawl spring	2	2
3	402 2053	Nut	3	3	17	402 5031	Pawl spring stop	2	2
4	402 5005	Rewind starter complete	1	1	18	402 5032	Friction spring	1	1
5	402 5011	Hex. screw	4	4	19	402 5033	Washer	1	1
6	402 5035	Starter housing ass'y	1	1	20	402 5034	Circlip	1	1
7	402 5036	Starter stop	1	1	21	402 5016	Rope bolt	1	1
8	402 5037	Starter stop screw	2	2	22	402 5039	Rubber buffer	1	1
9	402 5038	Spring guide	1	1	23	402 5018	Starter Rope	1	1
10	402 5022	Rewind spring	1	1	24	402 5019	Starter grip	1	1
11	402 5014	Rope sheave complete	1	1	25	402 5017	Rope with grip ass'y	1	1
12	402 5026	D washer	1	1					

BOMBARDIER LTD.

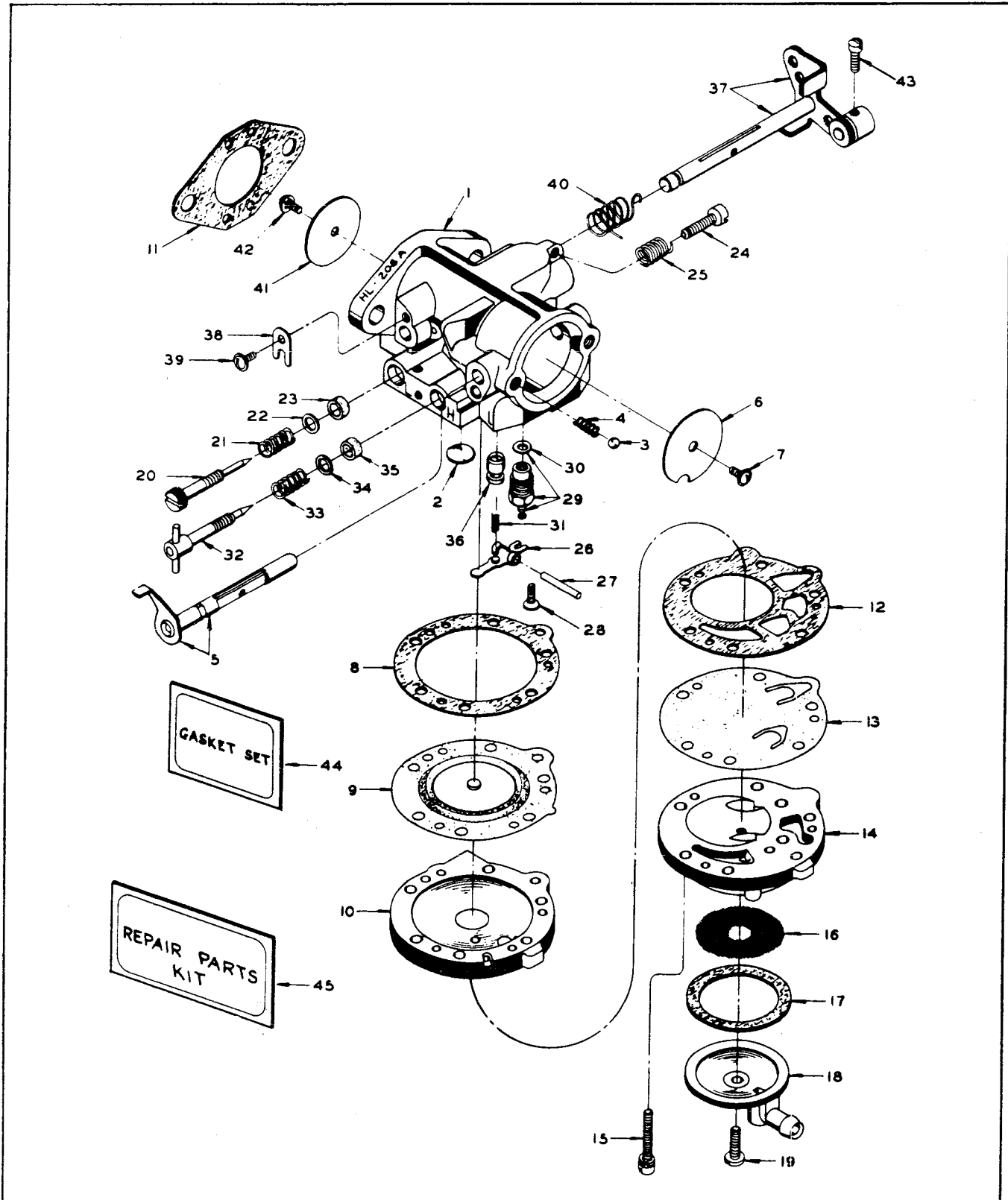
REPAIR TOOLS



ITEM No.	PART No.	DESCRIPTION	ITEM No.	PART No.	DESCRIPTION
1	402 8020	Fork wrench 10/14 mm	8	402 8010	Sleeve for oil seal magneto side
2	402 8039	Wrench pin 8 x 130 mm	9	402 8005	Protection cap 18 mm for crankshaft
3	402 8022	Socket wrench spark plug	10	402 8004	Puller for flywheel
4	402 8021	Socket wrench 14 mm	11	402 8001	Puller for bearing 402 1005
5	402 8028	Stamp to mount oil seal	12	402 8008	Wrench to hold fan
6	402 8013	Holder with bolt for connecting rod	1-2-3-4	402 8018	Tools kit
7	402 8011	Sleeve for oil seal, P.T.O. side			

BOMBARDIER LTD.

CARBURETOR FOR 250 C.C. - REGULAR ENGINE



BOMBARDIER LTD.

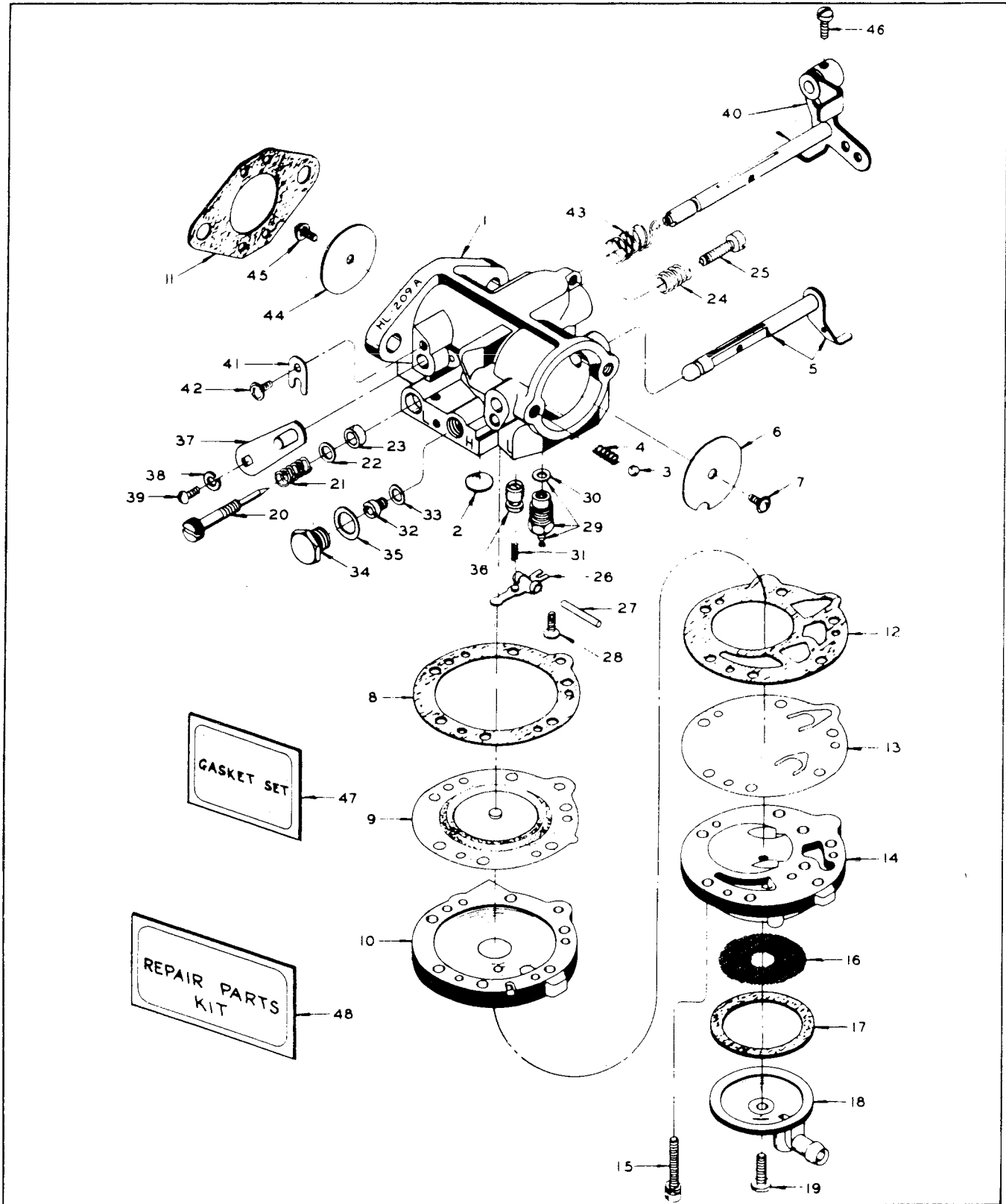
CARBURETOR FOR 250 C.C. - REGULAR ENGINE

ITEM No.	PART No.	DESCRIPTION	ITEM No.	PART No.	DESCRIPTION
1	404 0003	Body	24	404 0064	*Idle Speed screw
2	404 0010	*Body channel welch plug	25	404 0067	*Idle speed screw spring
3	404 0013	Choke friction ball	26	404 0070	*Inlet control lever
4	404 0014	Choke friction spring	27	404 0071	*Inlet control lever fulcrum pin
5	404 0017	Choke shaft and lever	28	404 0073	*Inlet control lever fulcrum pin retainer screw
6	404 0024	Choke shutter	29	404 0076	*Inlet needle, seat and gasket
7	404 0028	Choke shutter screw and lockwasher	30	404 0079	Inlet seat gasket
8	404 0030	Diaphragm gasket	31	404 0081	*Inlet tension spring
9	404 0032	*Diaphragm	32	404 0084	*High speed mixture screw
10	404 0035	Diaphragm cover	33	404 0056	*High speed mixture screw spring
11	404 0038	Flange gasket	34	404 0057	High speed mixture screw washer
12	404 0041	Fuel pump gasket	35	404 0059	High speed mixture screw packing
13	404 0042	*Fuel pump diaphragm	36	404 0086	Nozzle check valve
14	404 0046	Fuel pump body	37	404 0099	Throttle shaft and lever
15	404 0047	Fuel pump body screw and lockwasher	38	404 0103	Throttle shaft clip
16	404 0049	*Fuel strainer screen	39	404 0027	Throttle shaft clip retainer screw
17	404 0050	Fuel strainer cover gasket	40	404 0109	*Throttle shaft return spring
18	404 0051	Fuel strainer cover	41	404 0114	Throttle shutter
19	404 0052	*Fuel strainer cover retainer screw	42	404 0028	*Throttle shutter screw and lockwasher
20	404 0053	*Idle Mixture screw	43	404 0134	*Throttle wire retainer screw
21	404 0056	*Idle mixture screw spring	44	404 0119	*Gasket and packing set
22	404 0057	Idle Mixture screw washer	45	404 0126	Repair parts kit
23	404 0059	Idle mixture screw packing			

* indicates contents of repair parts kit.

BOMBARDIER LTD.

UPPER CARBURETOR FOR 250 C.C. - A. S. ENGINE



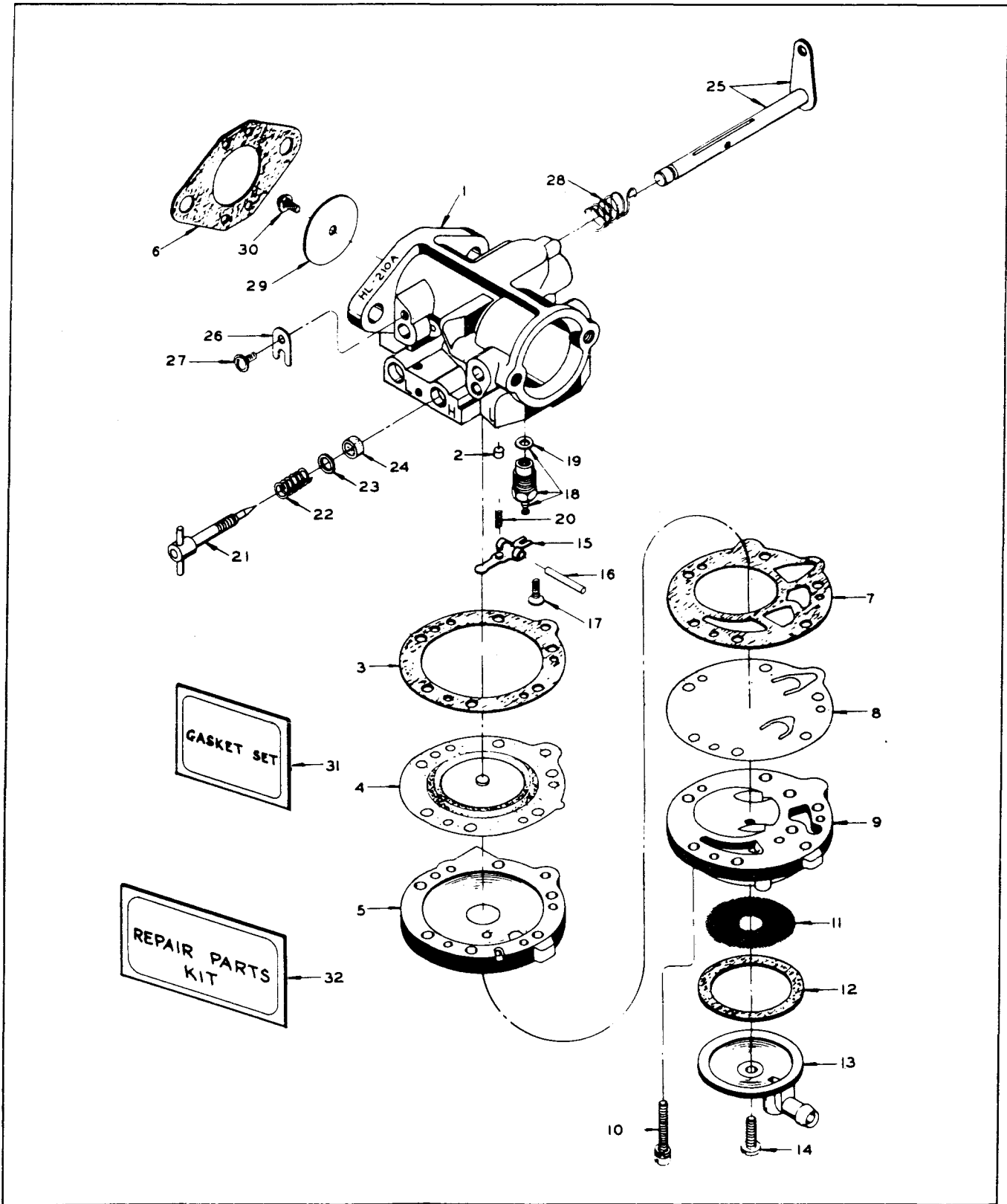
BOMBARDIER LTD.

UPPER CARBURETOR FOR 250 C.C. — A. S. ENGINE

ITEM No.	PART No.	DESCRIPTION	ITEM No.	PART No.	DESCRIPTION
1	404 0004	Body	25	404 0067	*Idle speed screw spring
2	404 0010	*Body channel welch plug	25	404 0070	*Inlet control lever
3	404 0013	Choke friction ball	27	404 0072	*Inlet control lever fulcrum pin
4	404 0014	Choke friction spring	28	404 0073	*Inlet control lever fulc. pin ret. scr.
5	404 0018	Choke shaft and lever	29	404 0076	*Inlet needle, seat and gasket
6	404 0024	Choke shutter	30	404 0079	Inlet seat gasket
7	404 0028	Choke shutter screw and lockwasher	31	404 0081	*Inlet tension spring
8	404 0030	Diaphragm gasket	32	404 0140	*Main fuel jet (.036)
9	404 0032	*Diaphragm	33	404 0143	Main fuel jet gasket
10	404 0035	Diaphragm cover	34	404 0139	Main fuel jet plug screw
11	404 0038	Flange gasket	35	404 0142	Main fuel jet plug screw gasket
12	404 0041	Fuel pump gasket	36	404 0087	Nozzle check valve
13	404 0042	*Fuel pump diaphragm	37	404 0136	Throttle lever assembly
14	404 0046	Fuel pump body	38	404 0137	*Throttle lever ret. lockwasher
15	404 0047	Fuel pump body sc. and lockwasher	39	404 0138	*Throttle lever ret. screw
16	404 0049	*Fuel strainer screen	40	404 0097	Throttle shaft and lever
17	404 0050	Fuel strainer cover gasket	41	404 0103	Throttle shaft clip
18	404 0051	Fuel strainer cover	42	404 0027	Throttle shaft clip ret. screw
19	404 0052	*Fuel strainer cover ret. screw	43	404 0109	*Throttle shaft return spring
20	404 0053	*Idle mixture screw	44	404 0114	Throttle shutter
21	404 0056	*Idle mixture screw spring	45	404 0028	*Throttle shutter sc. and lockwasher
22	404 0057	Idle mixture screw washer	46	404 0134	*Throttle wire ret. screw
23	404 0059	Idle mixture screw packing	47	404 0120	*Gasket and packing set
24	404 0064	*Idle speed screw	48	404 0128	Repair parts kit

*Indicates contents of repair parts kit

LOWER CARBURETOR FOR 250 C.C. - A. S. ENGINE



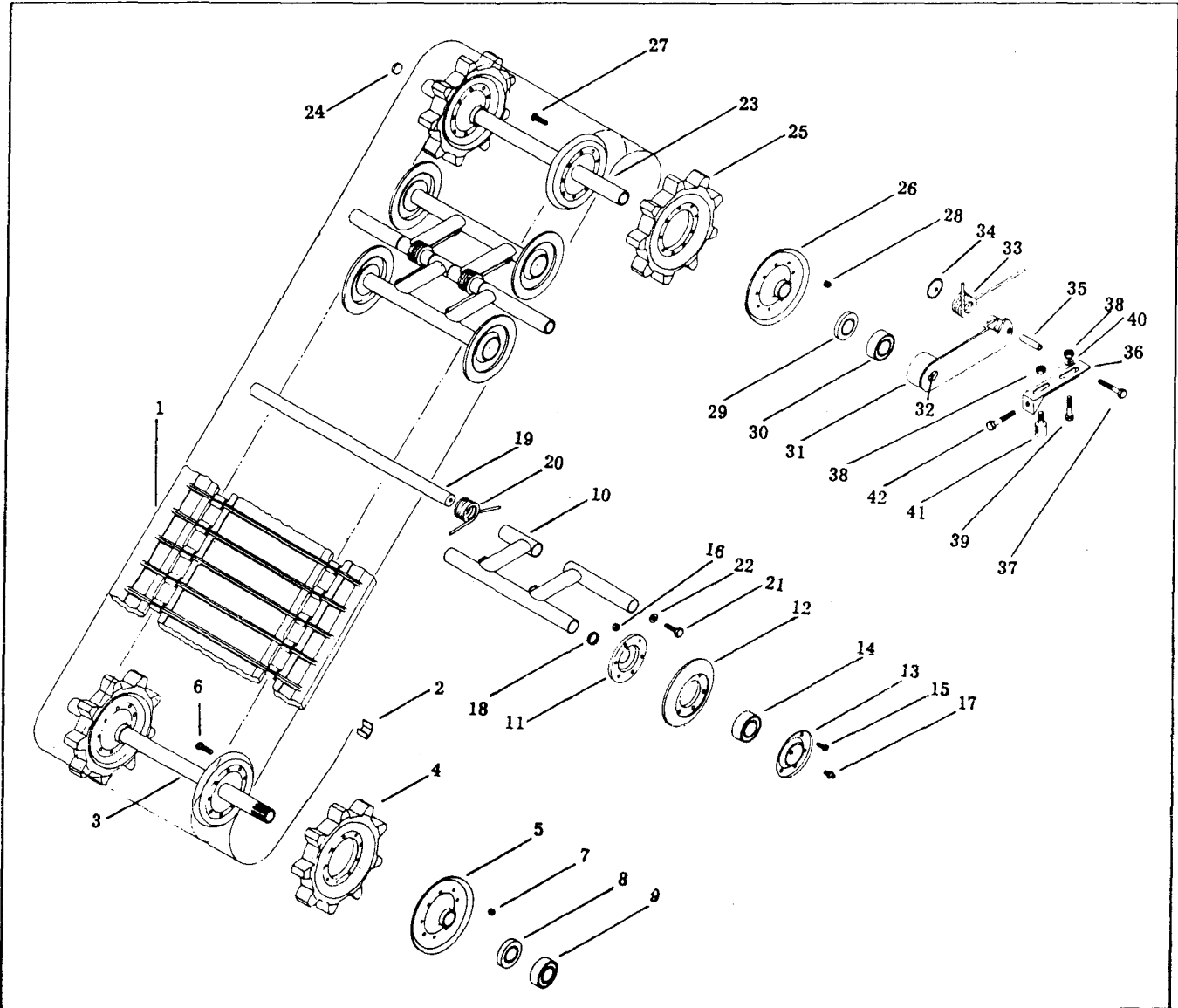
BOMBARDIER LTD.

LOWER CARBURETOR FOR 250 C.C. – A. S. ENGINE

ITEM No.	PART No.	DESCRIPTION	ITEM No.	PART No.	DESCRIPTION
1	404 0005	Body	17	404 0073	*Inlet control lever fulc. pin ret. scr.
2	404 0132	*Body channel cup plug	18	404 0076	*Inlet needle, seat and gasket
3	404 0030	Diaphragm gasket	19	404 0079	Inlet seat gasket
4	404 0032	*Diaphragm	20	404 0081	*Inlet tension spring
5	404 0035	Diaphragm cover	21	404 0084	*High speed mixture screw
6	404 0038	Flange gasket	22	404 0056	*High speed mixture screw spring
7	404 0041	Fuel pump gasket	23	404 0057	High speed mixture screw washer
8	404 0042	*Fuel pump diaphragm	24	404 0059	High speed mixture screw packing
9	404 0046	Fuel pump body	25	404 0098	Throttle shaft and lever
10	404 0047	Fuel pump body scr. and lockwasher	26	404 0103	Throttle shaft clip
11	404 0049	*Fuel strainer screen	27	404 0027	Throttle shaft clip ret. screw
12	404 0050	Fuel strainer cover gasket	28	404 0109	*Throttle return spring
13	404 0051	Fuel strainer cover	29	404 0115	Throttle shutter
14	404 0052	*Fuel strainer cover ret. screw	30	404 0028	*Throttle shutter scr. and lockwasher
15	404 0070	*Inlet control lever	31	404 0119	*Gasket and packing set
16	404 0072	*Inlet control lever fulcrum pin	32	404 0129	Repair parts kit
					*Indicates contents of repair parts kit

BOMBARDIER LTD.

SUSPENSION



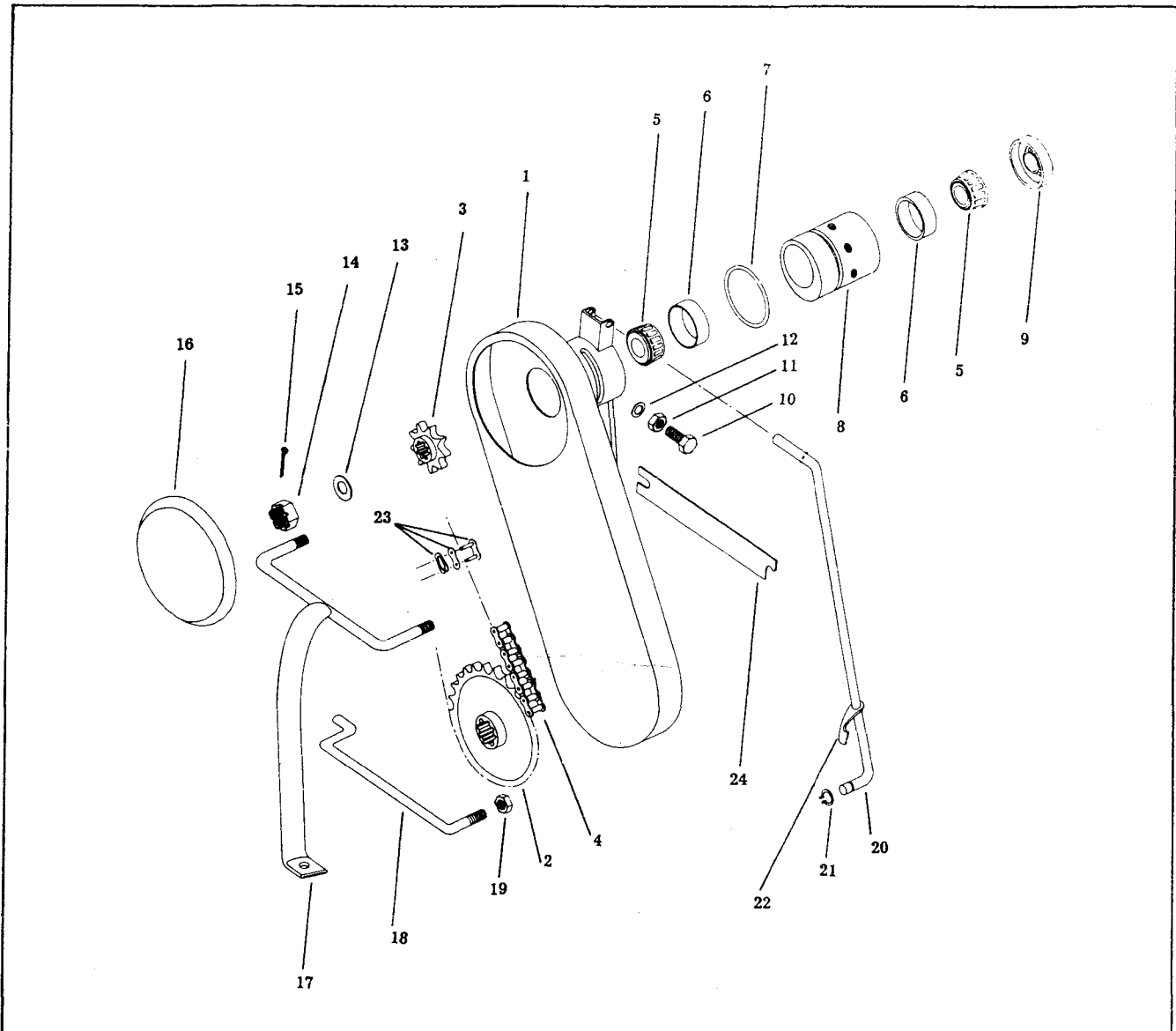
BOMBARDIER LTD.

SUSPENSION

ITEM No.	PART No.	DESCRIPTION	QUANTITY		ITEM No.	PART No.	DESCRIPTION	QUANTITY	
			O.	S.O.				O.	S.O.
		TRACK			21	300 8043	Bolt	6	6
1	570 0002	Track assy	1	1	22	399 8001	Lockwasher	6	6
2	570 0003	Track insert	116	116			REAR HUB ASS'Y		
	529 0003	Insert block tool	—	—	23	503 0002	Rear hub	1	1
		DRIVE			24	502 0012	Rear hub cap	2	2
3	501 0002	Drive axle	1	1	25	570 0101	Sprocket	2	2
4	570 0101	Drive sprocket	2	2	26	501 0005	Flange	2	2
5	501 0005	Drive sprocket flange	2	2	27	320 1062	Bolt	18	18
6	320 1062	Bolt	18	18	28	386 6013	Nut	18	18
7	386 6013	Nut	18	18	29	570 0301	Seal	2	2
8	581 1017	Bearing seal	2	2	30	405 4002	Bearing	2	2
9	405 4002	Bearing	2	2	31	503 0021	Adjuster link plate R.H.	1	1
		WHEEL				503 0019	Adjuster link plate L.H.	1	1
10	502 0002	Wheel support	6	6	32	408 2001	Fitting	2	2
11	502 0005	Wheel flange inner	12	12	33	503 0025	Link plate spring R.H.	1	1
12	570 0203	Wheel tire	12	12		503 0023	Link plate spring L.H.	1	1
13	502 0006	Wheel flange outer	12	12	34	503 0016	Retainer washer	2	2
14	405 0002	Wheel bearing	12	12	35	503 0015	Adjuster sleeve	2	2
15	320 1061	Bolt	72	72	36	503 0006	Adjuster bracket R.H.	1	1
16	386 6013	Nut	72	72		503 0010	Adjuster bracket L.H.	1	1
17	408 2001	Fitting	12	12	37	300 0047	Bolt	2	2
18	502 0111	Wheel support cap	12	12	38	386 6022	Nut	6	6
19	502 0008	Cross shaft	3	3	39	300 0041	Bolt	2	2
20	502 0010	Spring	6	6	40	391 0023	Washer	2	2
					41	503 0027	Adjuster eye bolt	2	2
					42	309 8004	Adjusting screw	2	2

BOMBARDIER LTD.

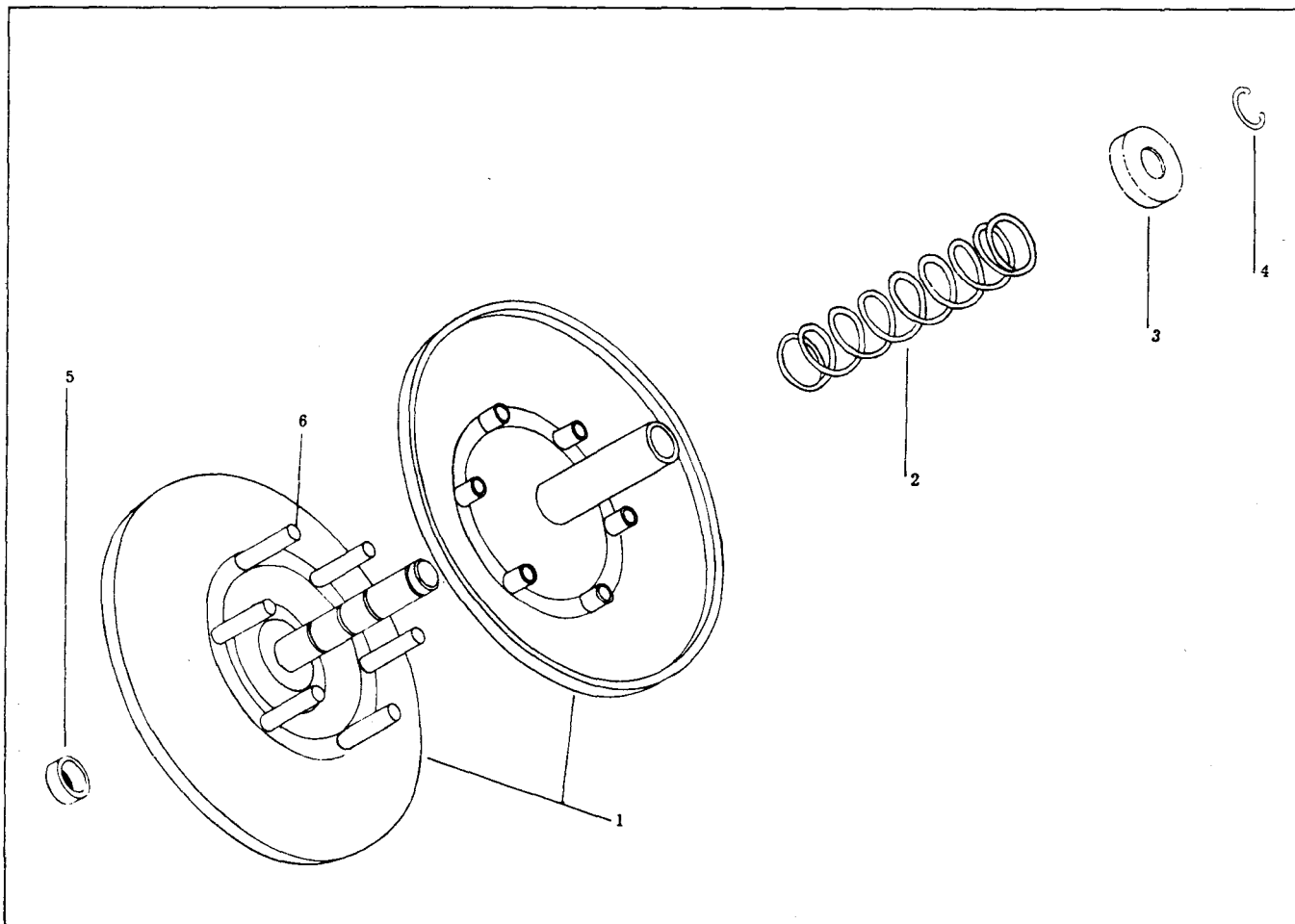
CHAIN CASE



ITEM No.	PART No.	DESCRIPTION	QUANTITY		ITEM No.	PART No.	DESCRIPTION	QUANTITY	
			O.	S.O.				O.	S.O.
1	504 0003	Chain case	1	1	14	381 2028	Nut	1	1
2	504 0012	Drive sprocket 26 teeth	1		15	371 0011	Cotter pin	1	1
	504 0013	Drive sprocket 25 teeth		1	16	570 0403	Chain case insp. cover	1	1
3	504 0007	Drive sprocket 9 teeth	1		17	504 0017	Footrest and U clamp ass'y	1	1
	504 0008	Drive sprocket 10 teeth		1	18	504 0016	"U" clamp	1	1
4	412 1003	Driving chain	1	1	19	386 6019	Nut	3	3
5	405 0001	Tensioner bearing cone	2	2	20	507 0012	Hinge rod and support	1	1
6	405 0002	Tensioner bearing cup	2	2	21	507 0013	Adjuster tube	1	1
7	406 0001	Tensioner O ring	1	1	22	517 0075	Pulley guard rod bracket	1	1
8	504 0005	Chain tensioner	1	1		380 6022	Nut	1	1
9	406 3001	Oil seal	1	1		300 0001	Bolt	1	1
10	300 4084	Bolt	1	1		386 6019	Nut	1	1
11	380 9024	Nut	1	1		386 6022	Nut	1	1
12	391 0025	Flat washer	1	1	23	412 6001	Connecting link	—	—
13	504 0015	Washer	1	1	24	529 0004	Adjuster bar	—	—

BOMBARDIER LTD.

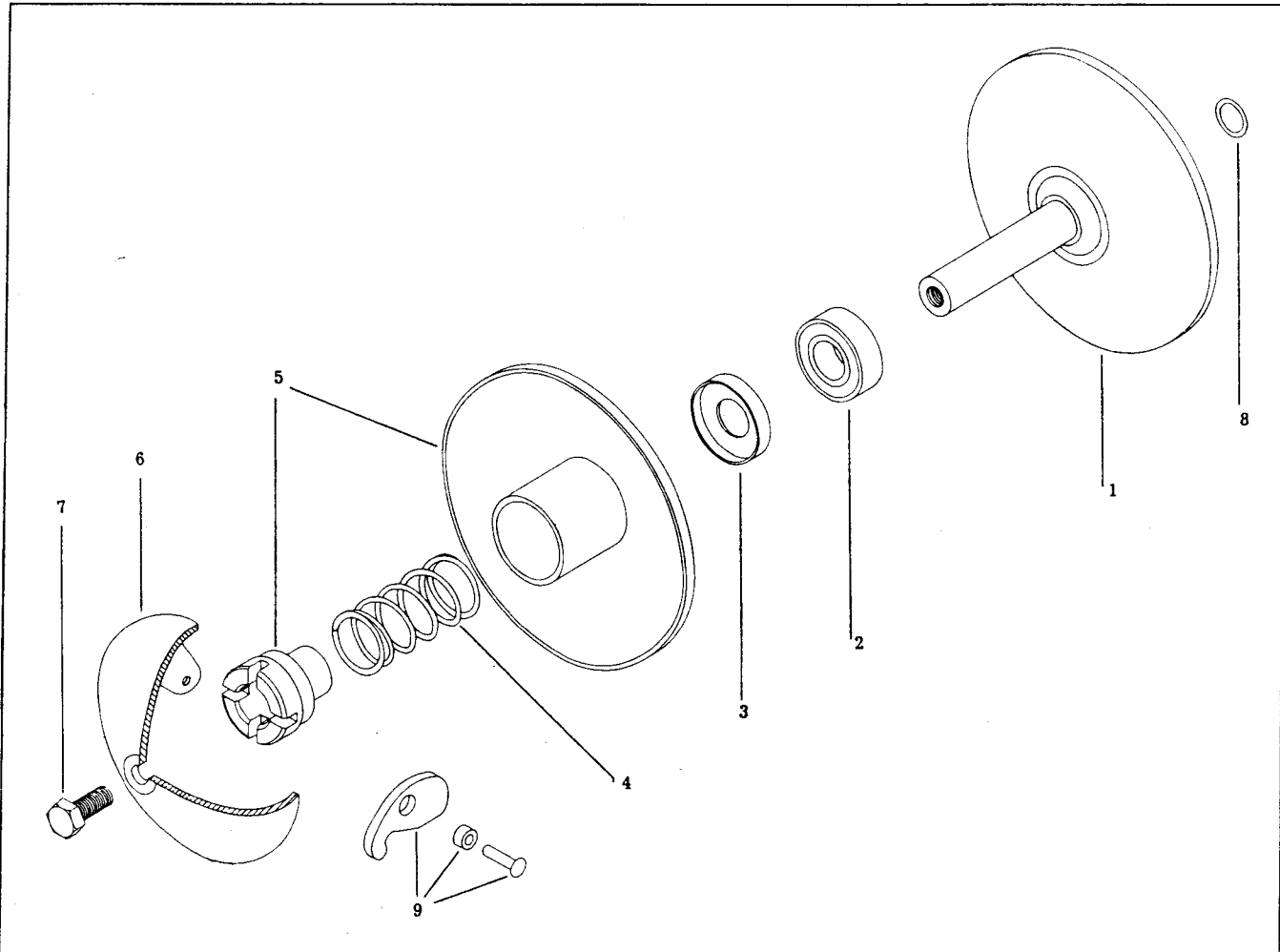
DRIVEN PULLEY



ITEM No.	PART No.	DESCRIPTION	QUANTITY		ITEM No.	PART No.	DESCRIPTION	QUANTITY	
			O.	S.O.				O.	S.O.
1	581 1009	Driven pulley ass'y	1	1	4	371 1061	Roll pin	1	1
2	504 1003	Driven pulley pressure spring	1	1	5	515 0057	Spacer sleeve	1	1
3	504 1022	Spring seat	1	1	6	504 1012	Pin	6	6

BOMBARDIER LTD.

DRIVE PULLEY

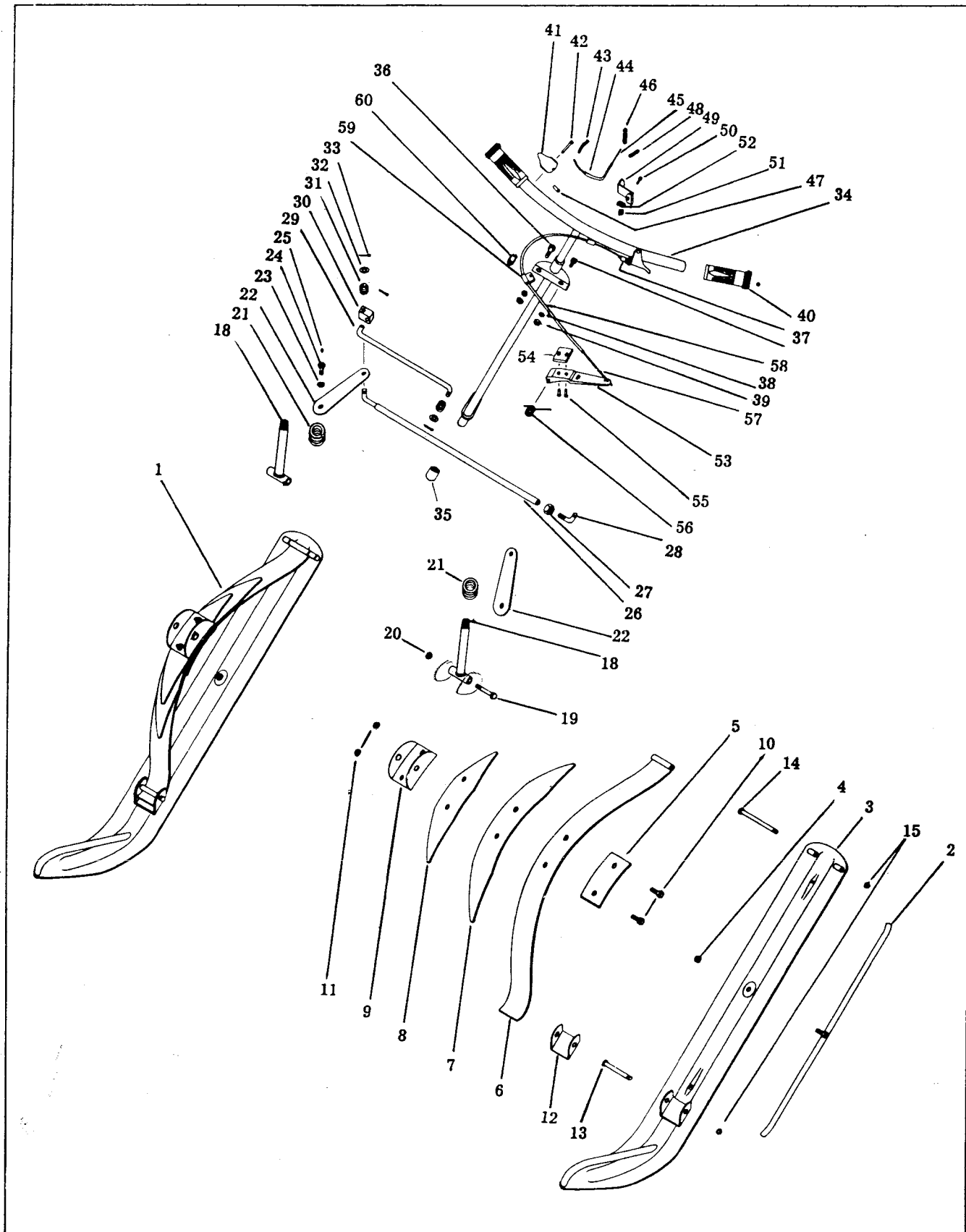


ITEM No.	PART No.	DESCRIPTION	QUANTITY			ITEM No.	PART No.	DESCRIPTION	QUANTITY		
			O.	S.O.	A.				O.	S.O.	A.
1	504 2008	Drive pulley inner half	1	1	1	8	504 1009	Aligning shim .024	as required		
2	405 4005	Clutch bearing	1	1	1	8	504 1010	Aligning shim .048	as required		
3	504 2013	Clutch spring seat	1	1	1	8	504 1007	Aligning shim .060	as required		
4	414 0013	Clutch release spring	1	1	1	9	504 2024	Pressure lever, spacer and rivet	—	—	—
5	504 2017	Drive pulley outer half	1	1	1	10	581 1008	Drive pulley assy complete	—	—	—
6	504 2022	Centrifugal governor	1	1	1						
7	300 0152	Centrifugal governor bolt	1	1	1						

BOMBARDIER LTD.

- NOTES -

CONTROL PARTS



BOMBARDIER LTD.

CONTROL PARTS

SKI

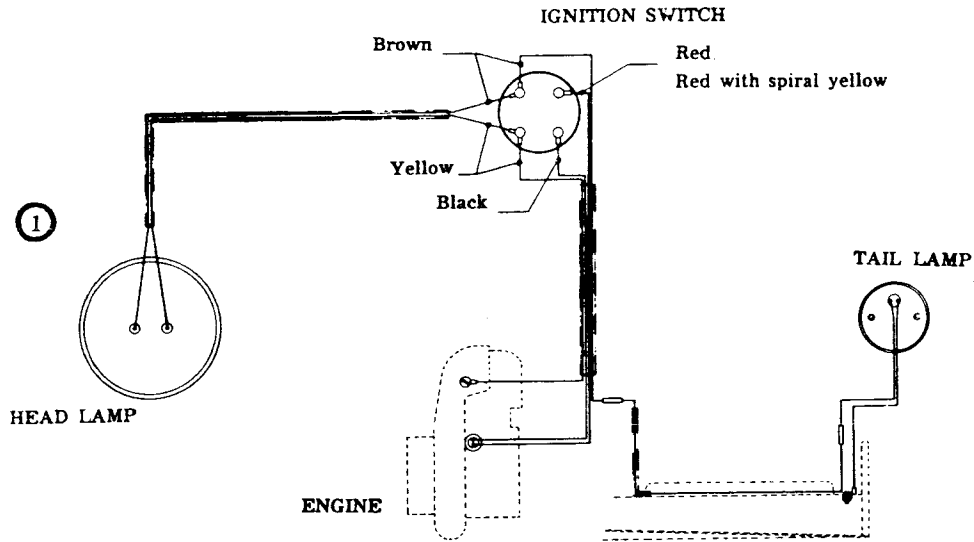
ITEM No.	PART No.	DESCRIPTION	QUANTITY		ITEM No.	PART No.	DESCRIPTION	QUANTITY	
			O.	S.O.				O.	S.O.
1	580 0011	Leaf spring and ski assy L.H.	1	1	8	505 0015	Auxiliary leaf spring 13"	2	2
	580 0010	Leaf spring and ski assy R.H.	1	1	9	505 0011	Spring coupler	2	2
2	505 0002	Runner shoe	2	2	10	300 8084	Coupler bolt	4	4
3	505 0040	Ski runner	2	2	11	386 6024	Nut	4	4
4	380 6019	Nut	2	2	12	505 0023	Spring slider cushion	2	2
5	570 0502	Rebound leaf spring	2	2	13	505 0034	Slider pin	2	2
6	505 0016	Main leaf spring	2	2	14	505 0017	Spring pin	2	2
7	505 0013	Auxiliary leaf spring 18"	2	2	15	371 0011	Cotter pin	4	4
						582 1003	Leaf spring ass'y L.H.	1	1
						582 1002	Leaf spring ass'y R.H.	1	1

STEERING

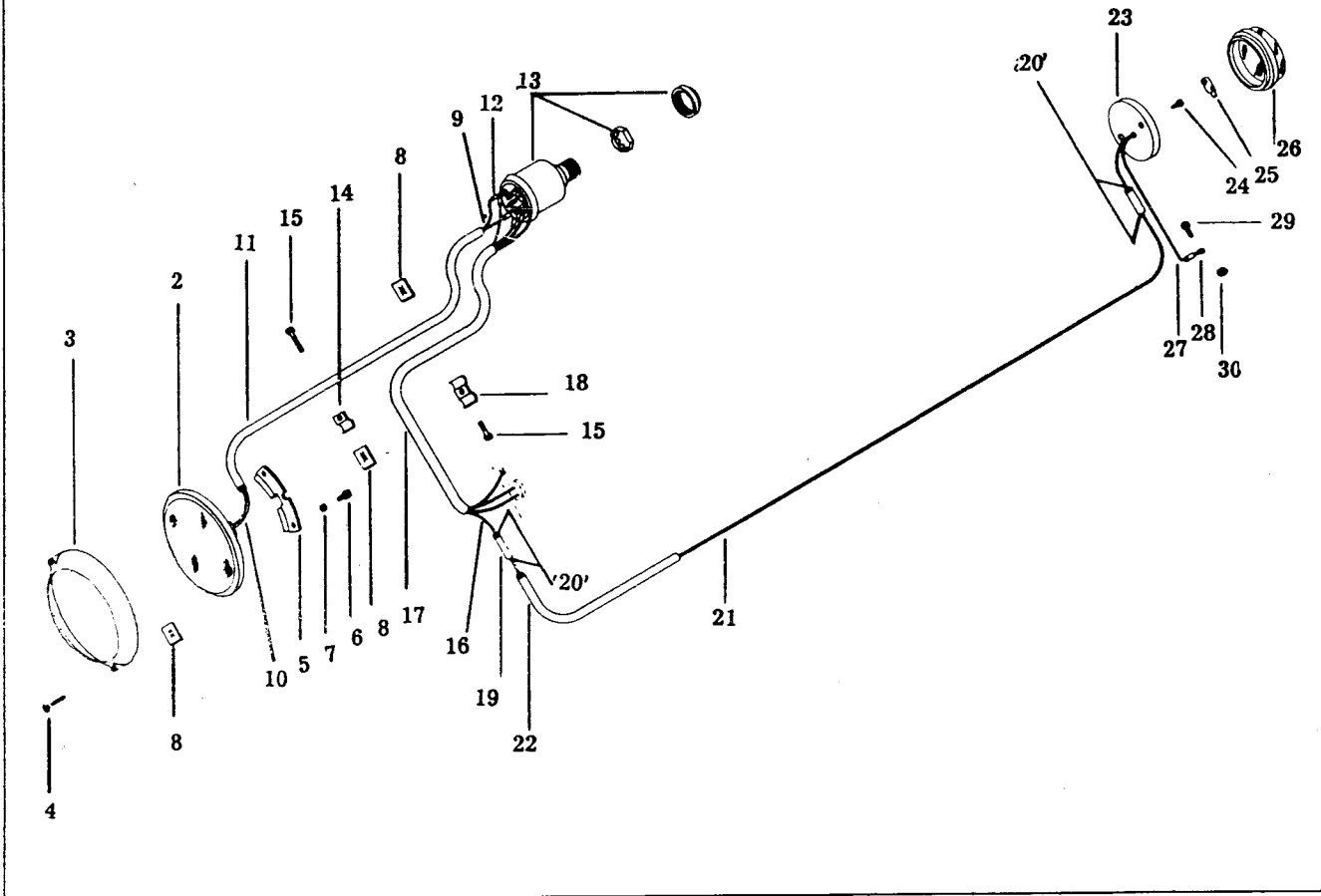
ITEM No.	PART No.	DESCRIPTION	QUANTITY		ITEM No.	PART No.	DESCRIPTION	QUANTITY	
			O.	S.O.				O.	S.O.
18	506 0004	Ski leg	2	2	40	414 0002	Handle bar grip	2	2
19	309 8003	Ski leg attaching bolt	2	2	41	506 0040	Hand throttle handle	2	2
20	386 6022	Nut	2	2	42	390 0047	Rivet	2	2
21	414 0127	Upper coil spring	2	2	43	414 0082	Brake and throttle cable protector	2	2
22	506 0014	Steering arm	2	2	44	414 0063	Throttle cable housing	1	1
23	392 0026	Lockwasher	2	2	45	510 0003	Throttle cable	1	
24	560 6001	Upper ski leg bolt	2	2	45	510 0005	Throttle cable		1
25	408 2001	Ski leg grease fitting	2	2	46	414 0008	Throttle return spring	1	1
26	506 0022	Lower tie rod	1	1	47	414 0030	Sleeve	2	2
	506 0018	Tie rod end R.H.	1	1	48	409 0012	Cable clip	4	4
28	506 0017	Tie rod end L.H.	2	2	49	510 0011	Cable housing clip	1	
	389 8016	Nut	2	2	50	321 7061	Clip bolt	1	
27	380 6024	Nut	2	2	51	385 1013	Nut	1	
29	506 0043	Steering rod	1	1	52	392 0014	Lockwasher	1	
30	506 0023	Tie rod swivel	1	1	53	580 1021	Brake handle with lining	1	1
31	414 0109	Tie rod end spring	3	3	54	507 0006	Brake lining only	1	1
32	391 0025	Tie rod spring washer	3	3	55	390 5001	Rivet	2	2
33	371 0031	Cotter pin	4	4	56	414 0081	Brake return spring	1	1
34	506 0030	Handle bar	1	1	57	510 0004	Brake cable	1	1
35	506 0029	Steering shaft sleeve	1	1	58	507 0019	Brake cable housing	1	1
36	300 0005	Bolt	1	1	59	507 0014	Cable housing clip	1	1
37	300 0001	Bolt	1	1	60	506 0034	Bushing	1	1
38	391 0023	Flat washer	2	2					
39	386 6019	Nut	2	2					

BOMBARDIER LTD.

ELECTRICAL



WIRING DIAGRAM



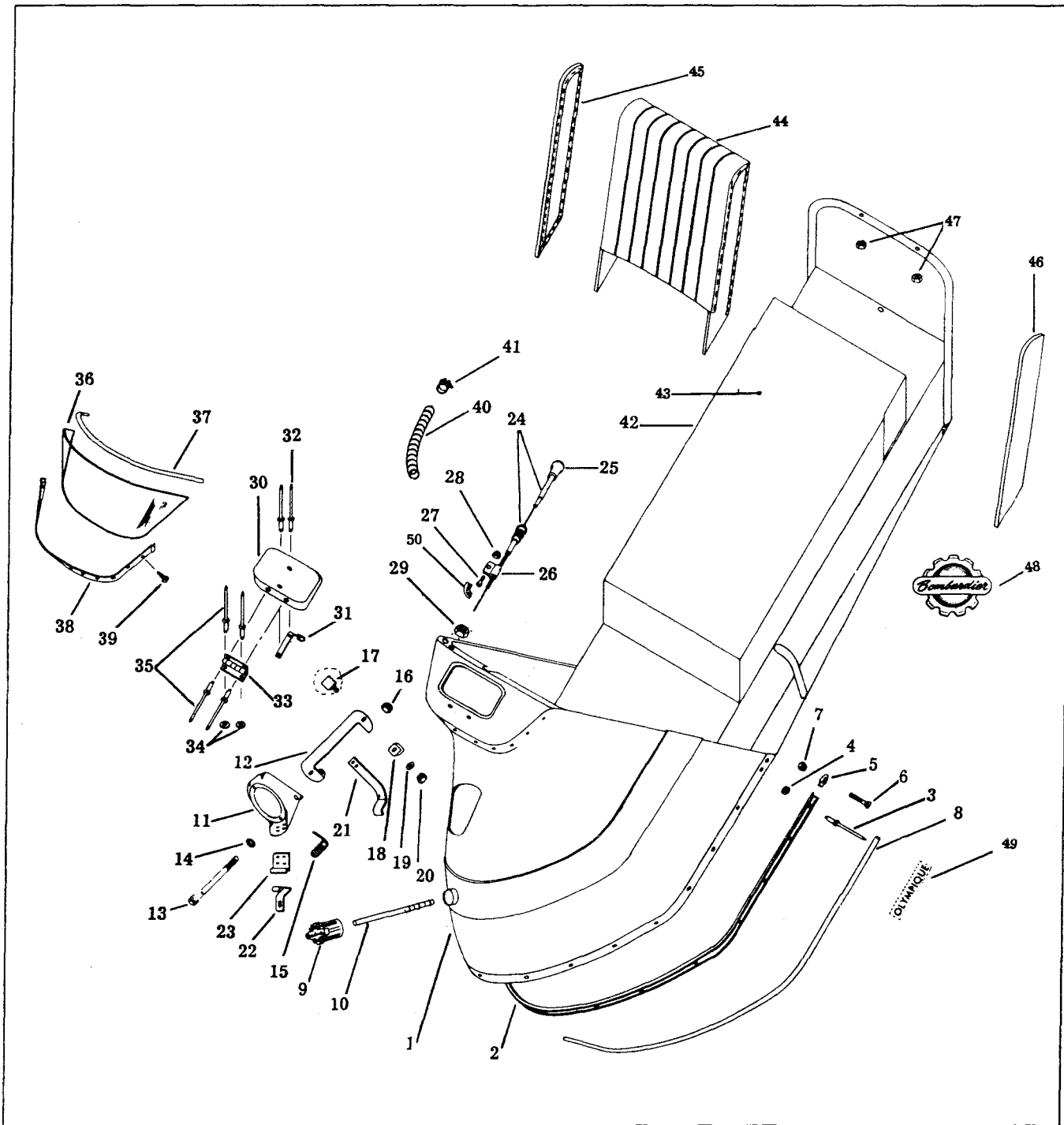
BOMBARDIER LTD.

ELECTRICAL

ITEM No.	PART No.	DESCRIPTION	QUANTITY			ITEM No.	PART No.	DESCRIPTION	QUANTITY		
			O.	S.O.	A.				O.	S.O.	A.
1	410 6001	Head lamp ass'y	1	1	1	16	409 6014	Switch to connector wire			1
2	410 6006	Sealed beam	1	1	1	17	409 9001	Wiring housing	1	1	1
3	410 9014	Retainer ring	1	1	1	17	409 9002	Wiring housing	1	1	1
4	355 0005	Head lamp ring screw	2	2	2	18	515 0035	Wiring housing clip	1	1	1
5	410 9005	Sealed beam mounting brackets	2	2	2	19	409 0001	Connector housing	2	2	2
6	355 0007	Screw	4	4	4	20	409 0003	Snap terminal	4	4	4
7	399 8005	Lockwasher	4	4	4	21	409 6014	Tail lamp wire	1	1	
8	389 8009	Speed nut	4	4	5	21	409 6014	Tail lamp wire			1
9	409 6014	Sealed beam wire (positive)	1	1	1	22	515 0128	Wiring housing	1	1	1
10	409 6013	Sealed beam wire (negative)	1	1	1	22	515 0129	Wiring housing	1	1	1
11	515 0064	Wiring housing	1	1	1	23	410 6005	Tail lamp ass'y	1	1	1
12	409 0006	Insulated terminal	7	7	6	24	363 3103	Tail lamp screw	2	2	
13	410 1002	Switch	1	1	1	24	355 0001	Tail lamp screw			2
14	410 9001	Wiring clip	1	1	1	25	410 5002	Tail lamp bulb	1	1	1
15	355 0002	Screw	2	2	2	26	410 9012	Tail lamp lens	1	1	1
16	409 6014	Switch to connector wire	1	1		27	409 6013	Tail lamp wire (negative)	1	1	
						28	409 0007	Insulated terminal	1	1	
						29	320 1062	Screw	1	1	
						30	386 6013	Nut	1	1	

BOMBARDIER LTD.

BODY



BOMBARDIER LTD.

BODY

ITEM No.	PART No.	DESCRIPTION	QUANTITY		ITEM No.	PART No.	DESCRIPTION	QUANTITY	
			O.	S.O.				O.	S.O.
1	571 1701	Hood	1	1	29	380 6024	Nut	1	1
2	517 0038	Aluminum bumper	1	1	30	571 1706	Compt. door	1	1
3	390 4003	Pop rivet	22	22	31	517 0042	Compt. door lock spring	1	1
4	399 9001	Washer	24	24	32	390 4001	Pop rivet	2	2
5	414 0025	End bumper	2	2	33	517 0036	Compt. door hinge	1	1
6	336 1064	Bolt	2	2	34	399 9001	Washer	4	4
7	386 6013	Nut	2	2	35	390 4002	Pop rivet	8	8
8	517 0039	Bumper protector rubber	1	1	36	517 0004	Windshield	1	1
9	414 0014	Fuel tank cap and gauge	1	1	37	517 0037	Windshield protector	1	1
10	414 0117	Fuel tank gauge	1	1	38	517 0010	Windshield moulding	1	1
11	571 1707	Head lamp support	1	1	39	363 0073	Windshield screw	10	10
12	515 0059	Head lamp bracket	1	1	40	514 0026	Exhaust pipe	1	
13	515 0056	Head lamp bolt	1	1	40	514 0028	Exhaust pipe		1
14	414 0031	Spacer	2	2	41	402 2049	Exhaust clamp	1	1
15	515 0004	Head lamp spring	1	1	42	517 0018	Seat cushion	1	1
16	380 9019	Nut	1	1	43	517 0019	Seat cushion leatherette	1	1
18	570 1702	Head lamp insulator rubber	3	3	44	414 0020	Back rest cushion ass'y	1	1
19	391 0023	Washer	3	3	45	414 0032	R.H. back rest side plate	1	1
20	380 9019	Nut	3	3	46	414 0034	L.H. back rest side plate	1	1
21	515 0057	Head lamp leaf spring (off)	1	1	47	386 6019	Nut	2	2
22	515 0058	Head lamp leaf spring (on)	1	1	48	414 0091	Label - Bombardier	2	2
23	515 0005	Adjuster plate	1	1	49	414 0107	Label - Olympique	1	
24	414 0028	Light opening device	1	1	49	414 0108	Label - Super Olympique		1
25	414 0029	Cable	1	1	50	414 0093	Label - Ignition switch	1	1
26	507 0014	Cable clip	1	1		414 0092	Gas mixture sticker	1	1
27	320 1061	Bolt	1	1		107 7001	Weather strip	—	—
28	386 6013	Nut	1	1					

MISCELLANEOUS

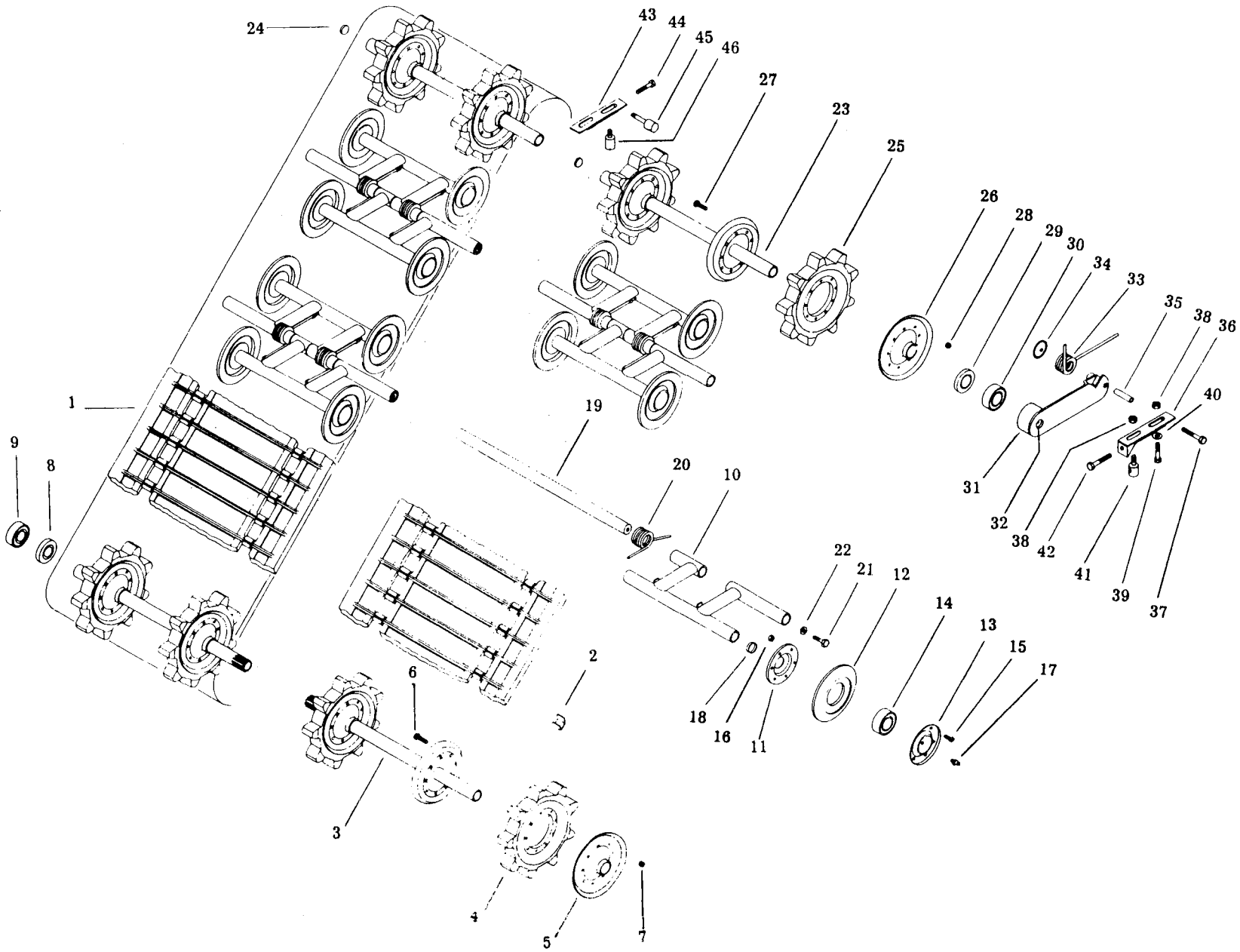
	570 1201	Engine support insulator kit	1	1		513 0035	Fuel line adapter at tank	1	1
	512 0009	Engine support	2	2		513 0010	Fuel filter	1	1
	512 0017	Engine bracket	1	1		414 0130	Fuel line	as req.	
	309 8012	Engine bracket bolt	4	4		408 0002	Fuel tank drain plug	1	1
	386 6022	Engine bracket nut	4	4		414 0024	Fuel line tee		1
	386 6024	Engine support nut	4	4					

BOMBARDIER LTD.

- NOTES -

ALPINE
SECTION

SUSPENSION

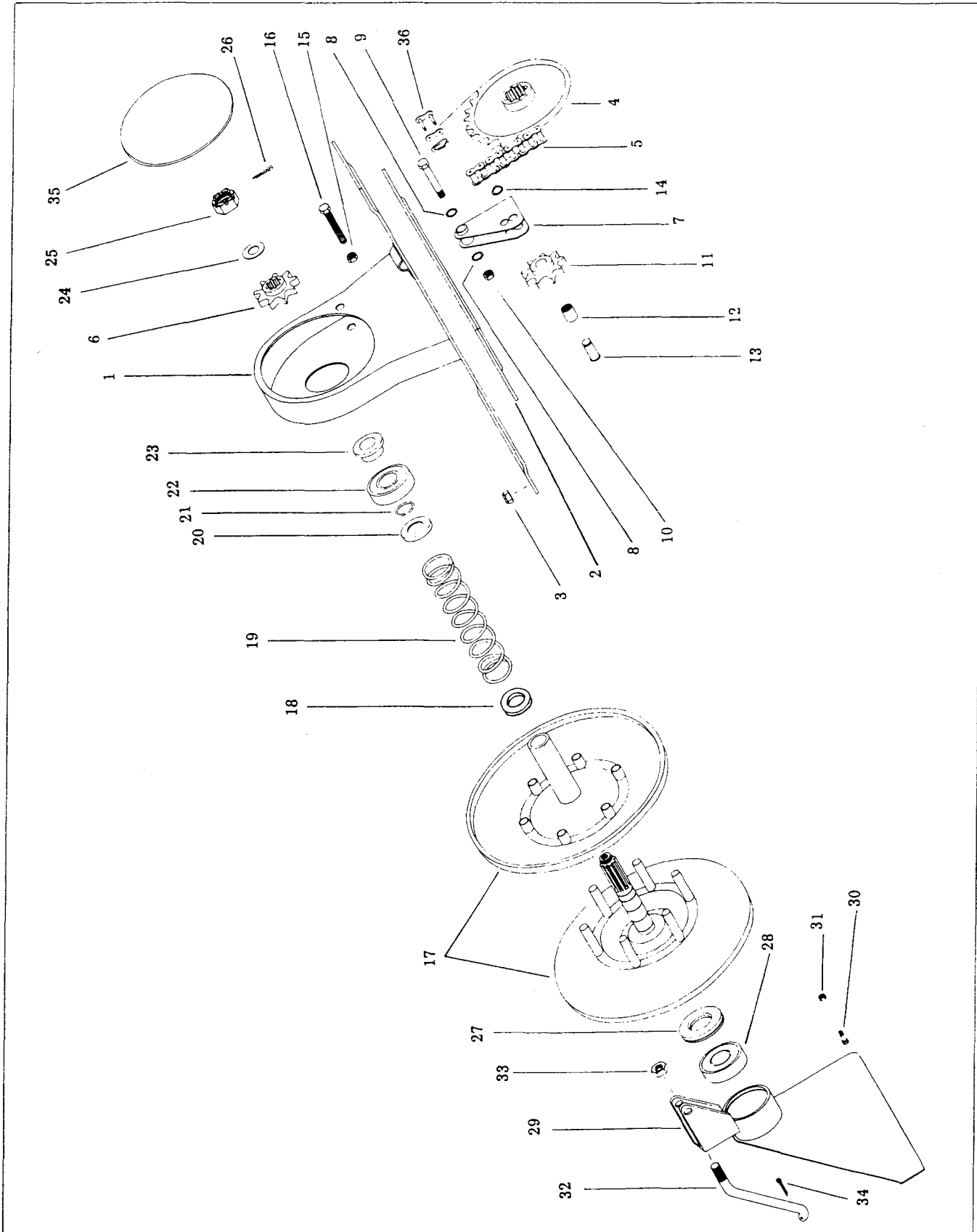


SUSPENSION

ITEM No.	PART No.	DESCRIPTION	QTY.	ITEM No.	PART No.	DESCRIPTION	QTY.
1	570 0002	Track belt	2	26	501 0005	Sprocket flange	4
2	570 0003	Insert	232	27	320 1062	Sprocket bolt	36
3	501 0006	Drive axle	2	28	386 6013	Sprocket nut	36
4	570 0101	Drive sprocket	4	29	570 0301	Rear bearing seal	4
5	501 0005	Drive sprocket flange	4	30	405 4002	Rear hub bearing	4
6	320 1062	Drive sprocket bolt	36	31	503 0021	Adjuster link plate RH	2
7	386 6013	Drive sprocket nut	36	31	503 0019	Adjuster link plate LH	2
8	581 1017	Bearing seal	4	32	408 2001	Adjuster link plate fitting	4
9	405 4002	Drive axle bearing	4	33	503 0025	Link plate spring RH	2
10	502 0002	Wheel support	12	33	503 0023	Link plate spring LH	2
11	502 0005	Wheel flange inner	24	34	503 0016	Spring retainer washer	4
12	570 0203	Wheel tire	24	35	503 0015	Adjuster sleeve	4
13	502 0006	Wheel flange outer	24	36	503 0008	Adjuster bracket RH	1
14	405 4002	Wheel bearing	24	36	503 0012	Adjuster bracket LH	1
15	320 1061	Wheel bolt	144	37	300 0047	Adjuster bolt	4
16	386 6013	Wheel nut	144	38	386 6022	Adjuster nut	12
17	408 2001	Wheel flange fitting	24	39	300 0041	Positioning bolt	4
18	502 0011	Wheel support cap	24	40	391 0023	Positioning bolt washer	4
19	502 0008	Cross shaft	6	41	503 0027	Adjuster eye bolt	2
20	502 0010	Suspension spring	12	42	309 8004	Adjusting screw	2
21	300 8043	Cross shaft bolt	12	43	503 0007	Center adjuster bracket RH	1
22	399 8001	Lockwasher	12	43	503 0011	Center adjuster bracket LH	1
23	503 0002	Rear hub	2	44	309 8001	Center adjuster screw	2
24	502 0012	Rear hub cap	4	45	503 0026	Adjuster screw buffer	2
25	570 0101	Sprocket	4	46	503 0023	Center adjuster eye bolt	2

BOMBARDIER LTD.

CHAIN CASE - DRIVEN PULLEY



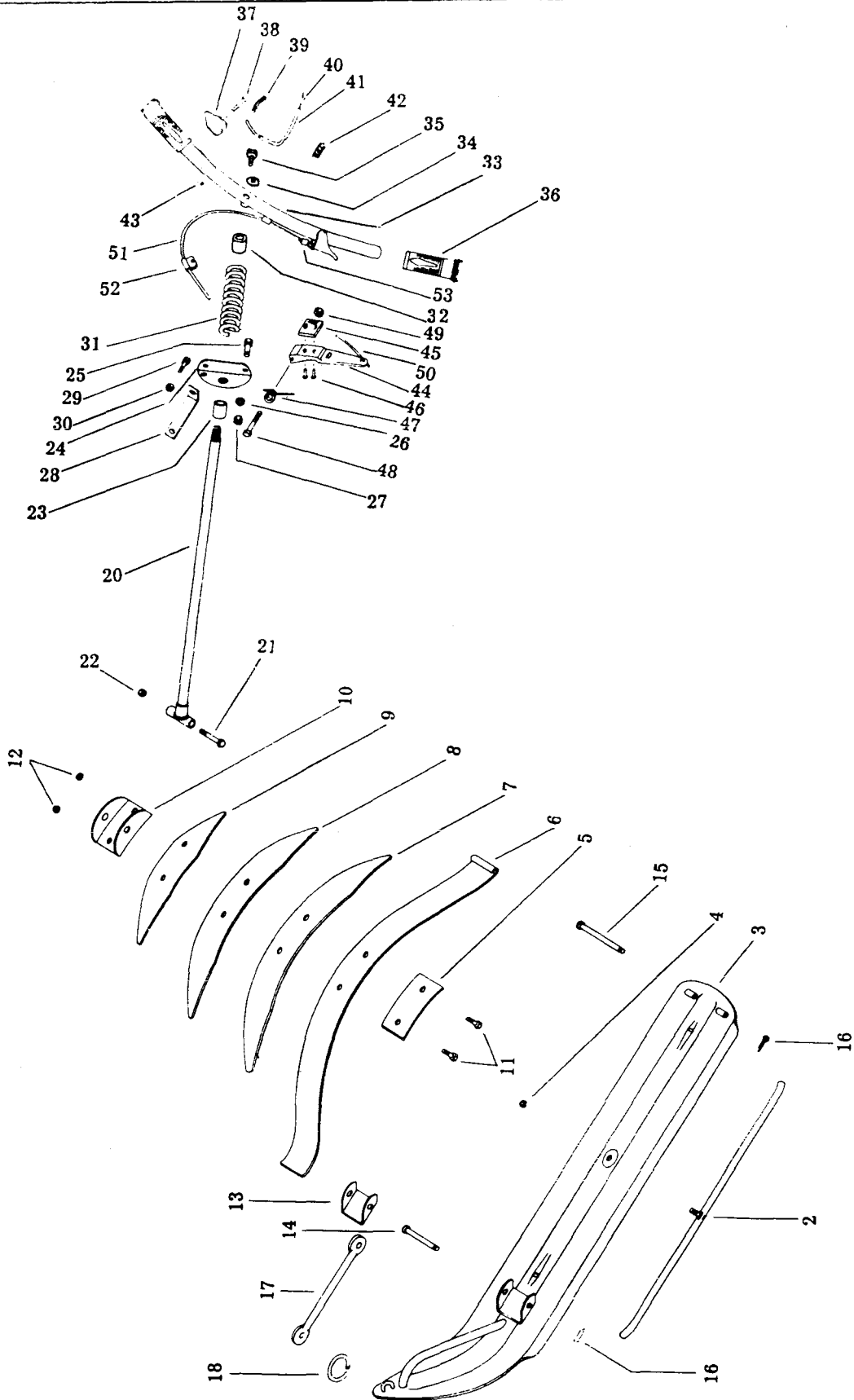
BOMBARDIER LTD.

CHAIN CASE - DRIVEN PULLEY

ITEM No.	PART No.	DESCRIPTION	QTY.	ITEM No.	PART No.	DESCRIPTION	QTY.
1	417 0001	Chain case	1	20	504 1022	Spring seat	1
2	570 0407	Chain case gasket	1	21	371 1061	Cotter pin	1
3	386 6022	Chain case nut	10	22	405 4005	Shaft bearing	1
5	412 1003	Driven chain	1	23	504 1016	Bearing sleeve	1
6	504 0007	Chain drive sprocket	1	24	504 0015	Shaft washer	1
7	504 0021	Chain tightener	1	25	381 2028	Shaft nut	1
8	399 8003	Tightener fiber washer	2	26	371 0011	Shaft nut cotter pin	1
9	300 0005	Tightener bolt	1	27	581 1017	Bearing seal	1
10	386 6019	Tightener bolt nut	1	28	405 4002	Support plate bearing	1
11	504 0022	Chain tightener sprocket	1	29	504 1020	Shaft support plate	1
12	405 2001	Tightener sprocket bearing	1	30	300 0001	Support plate bolt	2
13	504 0023	Tightener pin	1	31	386 6019	Support plate bolt nut	2
15	380 6019	Tightener adjuster bolt nut	1	32	507 0025	Shaft support plate rod	1
16	300 0004	Tightener adjuster bolt	1	33	380 7022	Support plate rod nut	2
17	581 3004	Driven pulley assy.	1	34	371 0011	Support plate rod cotter pin	1
18	504 1007	Spacer	1	35	570 0403	Chaincase inspection cover	1
19	504 1005	Driven pulley pressure spring	1	36	412 6001	Connecting link	

BOMBARDIER LTD.

CONTROL PARTS



BOMBARDIER LTD.

CONTROL PARTS

SKI

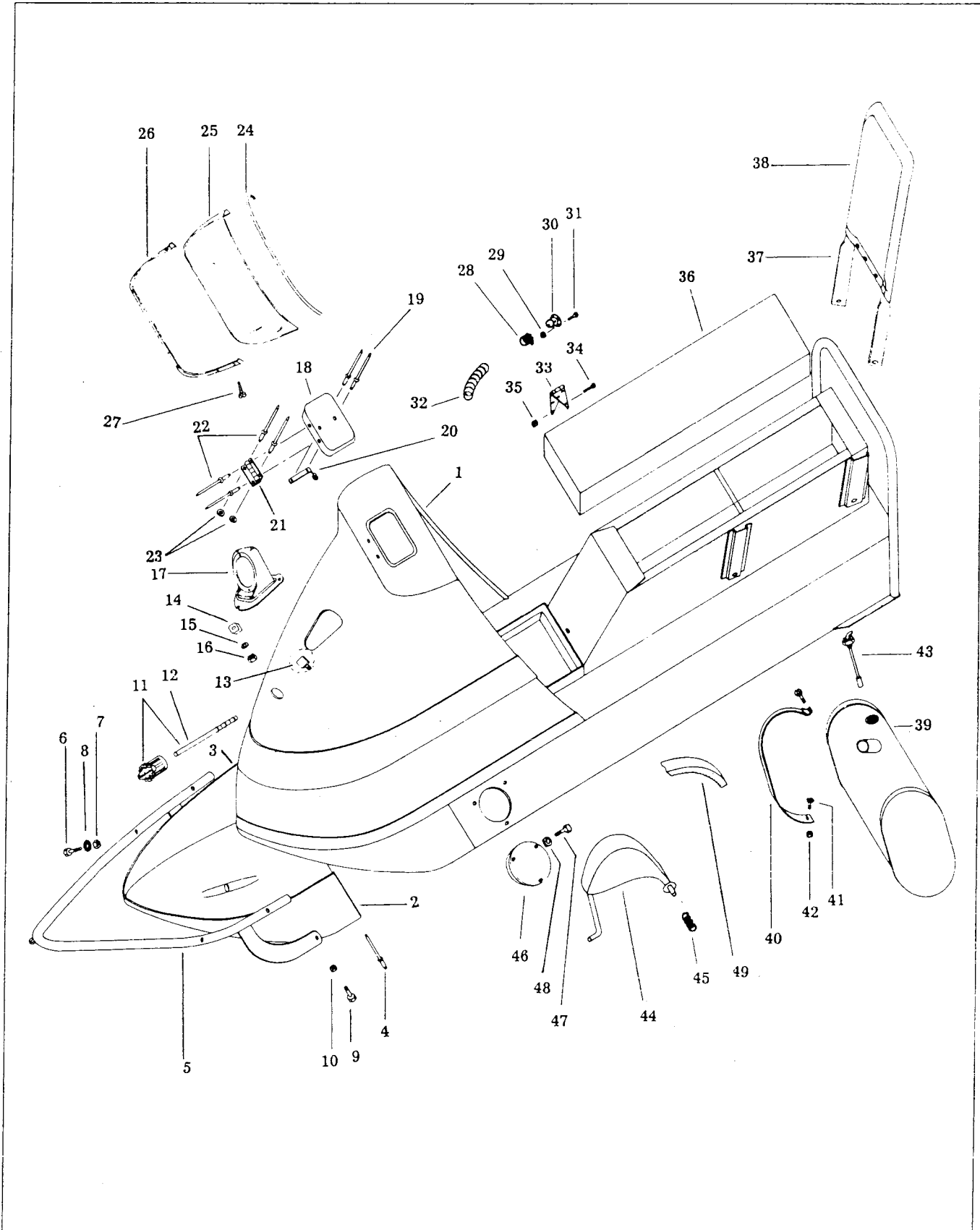
ITEM No.	PART No.	DESCRIPTION	QTY.	ITEM No.	PART No.	DESCRIPTION	QTY.
1	580 3013	Leaf spring and ski assy.	1	11	300 8084	Coupler bolt	2
2	505 0002	Runner shoe	1	12	386 6024	Nut	2
3	505 0004	Ski runner	1	13	505 0033	Spring slider cushion	1
4	380 6019	Nut	1	14	505 0034	Slider pin	1
5	570 0502	Rebound leaf spring	1	15	505 0017	Spring pin	1
6	505 0016	Main leaf spring	1	16	371 0011	Cotter pin	2
7	505 0014	First aux. leaf spring	1	17	570 0501	Ski front retaining cable	1
8	505 0013	Aux. leaf spring 18"	1	18	505 0022	Retaining cable union link	2
9	505 0015	Aux. leaf spring 13"	1		582 3001	Leaf spring assy.	1
10	505 0011	Spring coupler	1				

STEERING

ITEM No.	PART No.	DESCRIPTION	QTY.	ITEM No.	PART No.	DESCRIPTION	QTY.
20	506 0007	Ski leg	1	39	414 0082	Brake and throttle cable protector	1
21	309 8003	Ski leg attaching bolt	1	40	510 0004	Throttle cable	1
22	386 6022	Ski leg attaching bolt nut	1	41	510 0008	Throttle cable housing	1
23	506 0042	Steering shaft lower sleeve	1	42	409 0012	Throttle cable clip	2
24	506 0039	Steering shaft bracket	1	43	414 0030	Sleeve	2
25	300 0001	Bracket attaching bolt	2	44	580 1021	Brake handle	1
26	391 0023	Bracket attaching bolt washer	2	45	507 0006	Brake lining	1
27	386 6019	Bracket attaching nut	2	46	390 5001	Lining rivet	2
28	507 0026	Brake cable housing bracket	1	47	414 0081	Brake return spring	1
29	300 0001	Brake cable housing bracket bolt	1	48	300 0046	Brake handle bolt	1
30	386 6019	Brake cable housing bracket nut	1	49	386 6022	Brake handle bolt nut	1
31	414 0172	Steering shaft upper spring	1	50	507 0016	Brake cable	1
32	506 0038	Steering shaft upper bushing	1	51	507 0020	Brake cable housing	1
33	506 0031	Steering handle	1	52	507 0014	Brake cable housing clip	1
34	392 0026	Handle bar bolt lockwasher	1	53	409 0012	Brake cable clip	1
35	300 0126	Handle bar bolt	1		510 0011	Cable housing clip	1
36	414 0002	Handle bar grip	2		321 7061	Cable housing clip bolt	1
37	506 0040	Hand throttle handle	2		385 1013	Clip bolt nut	1
38	390 0047	Hand throttle handle rivet	2		392 0014	Clip bolt lock washer	1

BOMBARDIER LTD.

BODY



BOMBARDIER LTD.

BODY

ITEM No.	PART No.	DESCRIPTION	QTY.	ITEM No.	PART No.	DESCRIPTION	QTY.
1	571 1702	Hood	1	27	363 0073	Windshield screw	9
2	571 1801	Bottom plate	1	28	402 2049	Exhaust pipe collet with bolt nut	2
3	414 0036	Body moulding	1	29	386 6019	Pipe coupling bolt nut	2
4	390 4003	Bottom plate pop rivets	26	30	514 0030	Pipe coupling	1
5	517 0068	Ski - holder	1	31	300 0000	Pipe coupling bolt	2
6	300 1006	Ski - holder bolt	4	32	514 0027	Exhaust pipe	1
7	386 6019	Ski - holder bolt nut	4	33	414 0079	Seat hinge	2
8	391 0021	Ski - holder flat washer	4	34	324 8062	Hinge bolt	4
9	300 0041	Ski - holder brace bolt	2	35	384 9013	Hinge bolt nuts	4
10	386 6022	Ski - holder brace bolt nut	2	36	517 0017	Seat cushion	1
11	414 0014	Fuel tank cap	1	37	414 0021	Back - rest cushion	1
12	414 0117	Fuel tank cap gauge	1	38	517 0026	Back - cushion leatherette	1
14	570 1702	Headlamp insulator rubber	3	39	513 0024	Fuel tank	1
15	391 0023	Washer	3	40	513 0025	Retaining strip	2
16	380 9019	Nuts	3	41	320 1061	Retaining strip bolt	2
17	571 1721	Headlamp support	1	42	386 6013	Retaining strip bolt nut	2
18	571 1706	Compartment door	1	43	513 0011	Fuel line adapter	1
19	390 4001	Lock spring pop rivet	2	44	571 1719	Pulley guard	1
20	517 0042	Compartment door lock spring	1	45	414 0154	Pulley guard spring	1
21	517 0036	Compartment door hinge	1	46	501 0007	End bearing housing	2
22	390 4002	Hinge pop rivet	4	47	300 0000	End bearing housing bolt	6
23	399 9001	Washers	2	48	392 0019	End bearing housing lockwasher	6
24	517 0040	Windshield protector	1	49	570 0409	Driving belt	1
25	517 0005	Windshield	1				
26	517 0011	Windshield moulding	1				

BOMBARDIER LTD.

