

# XENOAH

## Engine Parts List

### Liquid Cooled Models

G-44 BWR

G-34 BWR

G-25 BWR



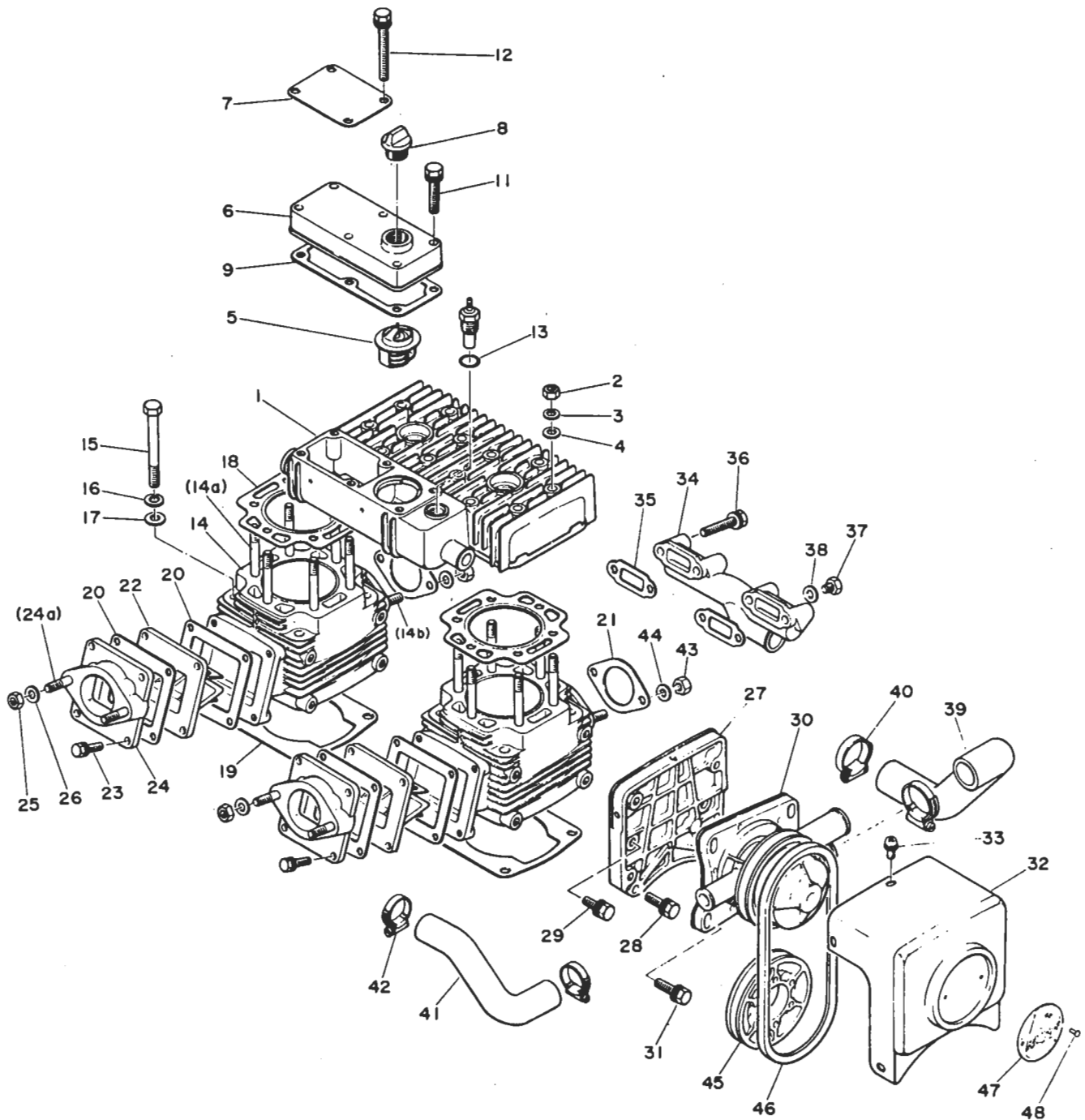
# RUPEE

Only The Best

# CYLINDER & PUMP GROUP

REF. NO.	PART NO.	DESCRIPTION	G44-BWR	G34-BWR	G25-BWR
1	26004	Cylinder Head (Comp)	1		
	26005	Cylinder Head		1	
	26006	Cylinder Head			1
2	26007	Nut, Cylinder Head	12	12	12
3	26008	Spring Washer	12	12	12
4	26009	Washer	12	12	12
5	26010	Thermostat (60°C)	1	1	1
6	26011	Cover, Thermostat	1	1	1
8	26013	Cap	1	1	1
9	26014	Gasket	1	1	1
11	26016	Bolt	6	6	6
13	26018	'O' Ring	1	1	1
14	26019	Cylinder, Comp	2		
	26020	Cylinder, Comp		2	
	26021	Cylinder, Comp.			2
14A	26022	Stud, Cylinder Head	12	12	12
14B	26023	Stud, Exhaust	4	4	4
15	26024	Bolt, Cylinder	8	8	8
16	26025	Spring, Washer	8	8	8
17	26026	Washer	8	8	8
18	26027	Gasket, Cylinder Head	2		
	26028	Gasket, Cylinder Head		2	
	26029	Gasket, Cylinder Head			2
19	26030	Gasket, Cylinder Base	2		
	26031	Gasket, Cylinder Base		2	2
20	26032	Gasket, Reed Valve	4	4	4
21	26033	Gasket, Exhaust	2	2	2
22	26034	Reed, Valve Assembly	2	2	2
23	26035	Bolt	8	8	8
24	26036	Inlet Joint	2	2	2
24A	26023	Stud	4	4	4
25	26007	Nut, Carburetor	4	4	4
26	26009	Washer	4	4	4
27	26038	Bed Plate	1	1	1
28	26040	Bolt	2	2	2
29	26039	Bolt	2	2	2
30	26041	Water Pump Assembly	1	1	1
31	26042	Bolt	3	3	3
32	26043	Cover, Water Pump	1	1	1
33	26044	Screw	5	5	5
34	26045	Water Manifold	1	1	1
35	26046	Gasket, Water Manifold	2	2	2
36	26047	Bolt	4	4	4
37	26048	Bolt, Drain	1	1	1
38	26049	Seal, Washer	1	1	1
39	26094	Water Pipe	1	1	1
40	26050	Clamp, Water Pipe	2	2	2
41	26051	By-Pass Pipe	1		
	26052	By-Pass Pipe		1	1
42	26053	Clamp	2	2	2
43	26007	Nut	4	4	4
44	26008	Spring Washer	4	4	4
45	26055	Pulley, Drive	1	1	1
46	26056	V-Belt	1	1	1
47	26095	Label	1	1	1
48	26096	Rivet	2	2	2

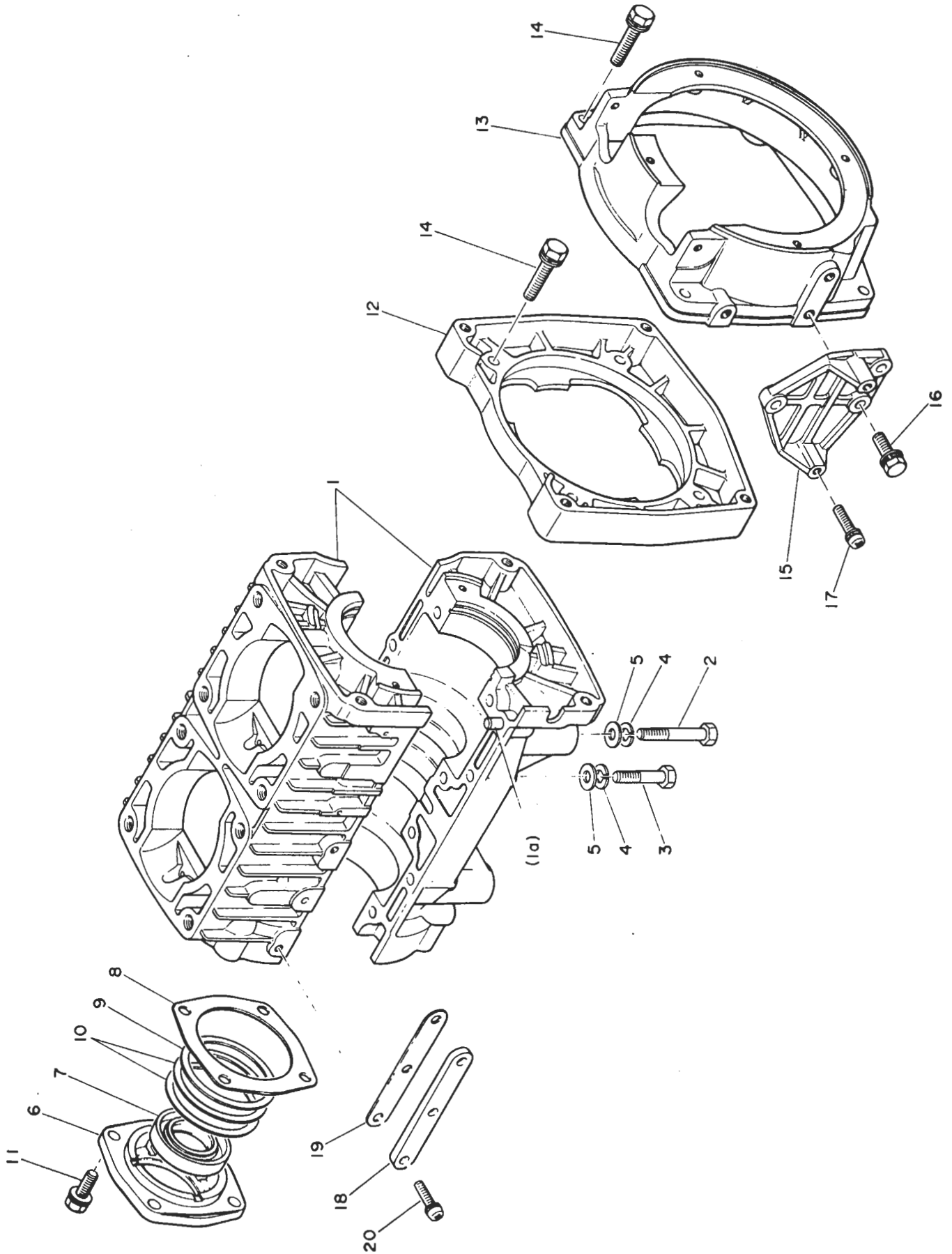
# CYLINDER & PUMP GROUP



# CRANK CASE GROUP

REF. NO.	PART NO.	DESCRIPTION	G44-BWR	G34-BWR	G25-BWR
1	26057	Crank Case Comp	1		
	26058	Crank Case Comp		1	1
1A	26059	Dowel Pin	2	2	2
2	26060	Bolt	8	8	8
3	26061	Bolt	4	4	4
4	26008	Spring Washer	12	12	12
5	26009	Washer	12	12	12
6	26062	Bearing, Retainer	1		
	26063	Bearing, Retainer		1	1
7	26064	Oil Seal	1	1	1
8	26065	Gasket, Bearing Retainer	1		
	26066	Gasket, Bearing Retainer		1	1
9	26067	Thrust Plate	1		
	26068	Thrust Plate		1	1
10	26069	Shim, Crankshaft 0.2	2		
	26070	Shim, Crankshaft		2	2
	26071	Shim, Crankshaft 0.3	2		
	26072	Shim, Crankshaft		2	2
11	26040	Bolt	4	4	4
12	26073	Magneto Case	1	1	1
13	26074	Magneto Cover	1	1	1
14	26075	Bolt	8	8	8
15	26097	Plate, Ignition Coil	1	1	1
16	26098	Bolt	3	3	3
17	26037	Screw	2	2	2
18	26143	Insulator	1	1	1
19	26144	Gasket	1	1	1
20	26145	Screw	2	2	2

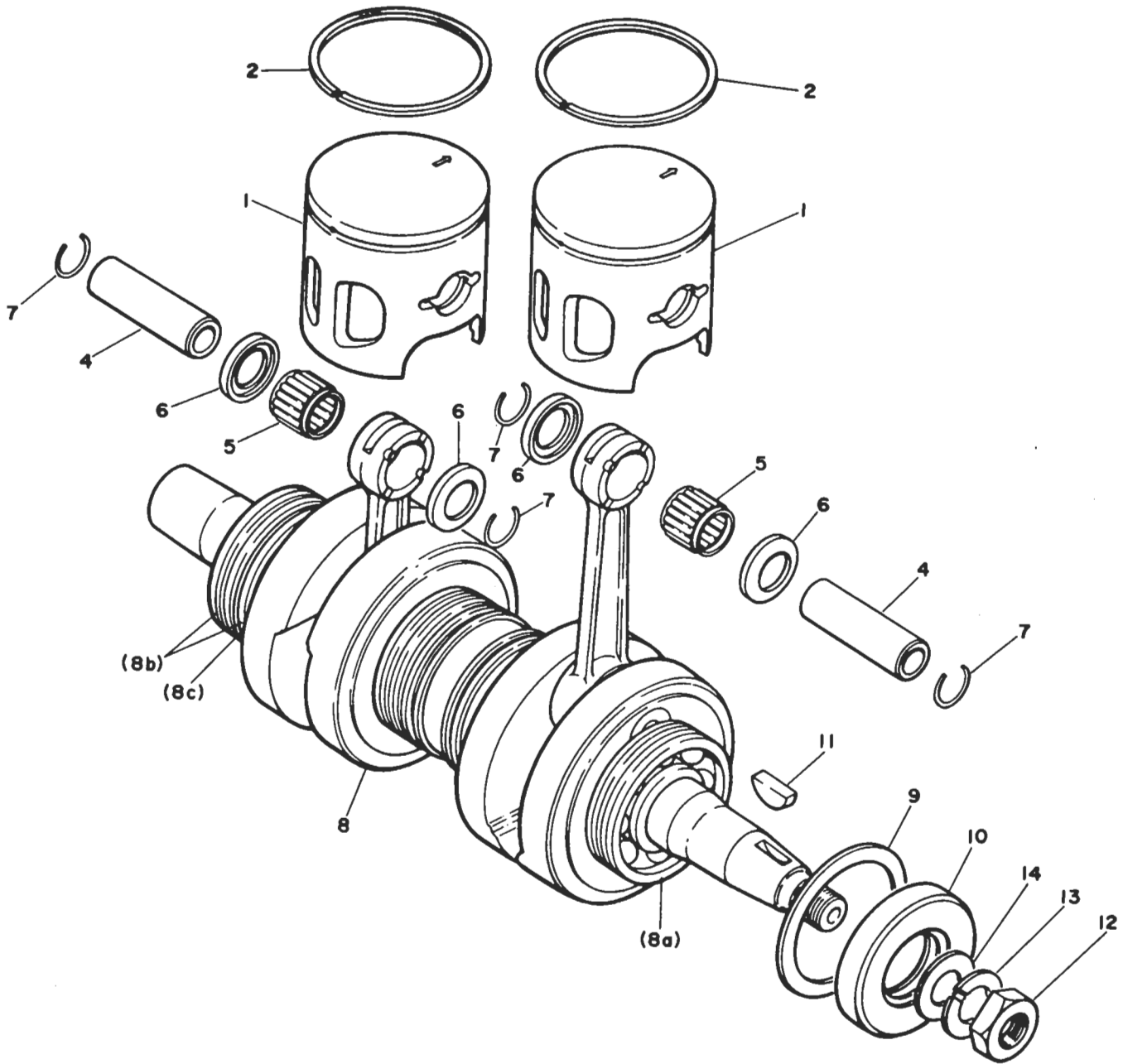
# CRANK CASE GROUP



# CRANK & PISTON GROUP

REF. NO.	PART NO.	DESCRIPTION	G44-BWR	G34-BWR	G25-BWR
1	26076	Piston (Std)	2		
	26077	Piston (Std)		2	
	26078	Piston (Std)			2
	26079	Piston (0.5 mm)	2		
	26080	Piston (0.5 mm)		2	
	26081	Piston (0.5 mm)			2
	26082	Piston (1.0 mm)	2		
	26083	Piston (1.0 mm)		2	
	26084	Piston (1.0 mm)			2
2	26085	Piston Ring (Top Std)	2		
	26086	Piston Ring (Top Std)		2	
	26087	Piston Ring (Top Std)			2
	26088	Piston Ring (Top 0.5 mm)	2		
	26089	Piston Ring (Top 0.5 mm)		2	
	26090	Piston Ring (Top 0.5 mm)			2
	26091	Piston Ring (Top 1.0 mm)	2		
4	26092	Piston Ring (Top 1.0 mm)		2	
	26093	Piston Ring (Top 1.0 mm)			2
	26103	Pin, Piston	2		
5	26104	Pin, Piston		2	
	26105	Pin, Piston			2
	26106	Needle Bearing	2		
6	26107	Needle Bearing		2	
	26108	Needle Bearing			2
	26109	Thrust Washer	4		
7	26110	Thrust Washer		4	
	26111	Thrust Washer			4
	26112	Snap Ring	4	4	
8	26113	Snap Ring			4
	26114	Crankshaft (Comp)	1		
	26115	Crankshaft (Comp)		1	
8A	26116	Crankshaft (Comp)			1
	26117	Ball Bearing (Magneto Side)	1		
8B	26118	Ball Bearing (Magneto Side)		1	1
	26117	Ball Bearing (PTO Side)	2		
8C	26118	Ball Bearing (PTO Side)		2	2
	26120	Spacer	1	1	1
9	26121	Stop Ring	1		
	26122	Stop Ring		1	1
10	26123	Oil Seal (Magneto Side)	1		
	26124	Oil Seal (Magneto Side)		1	1
11	26125	Key (Magneto)	1	1	1
12	26126	Nut	1	1	1
13	26127	Spring Washer	1	1	1
14	26128	Washer	1	1	1

# CRANK & PISTON GROUP

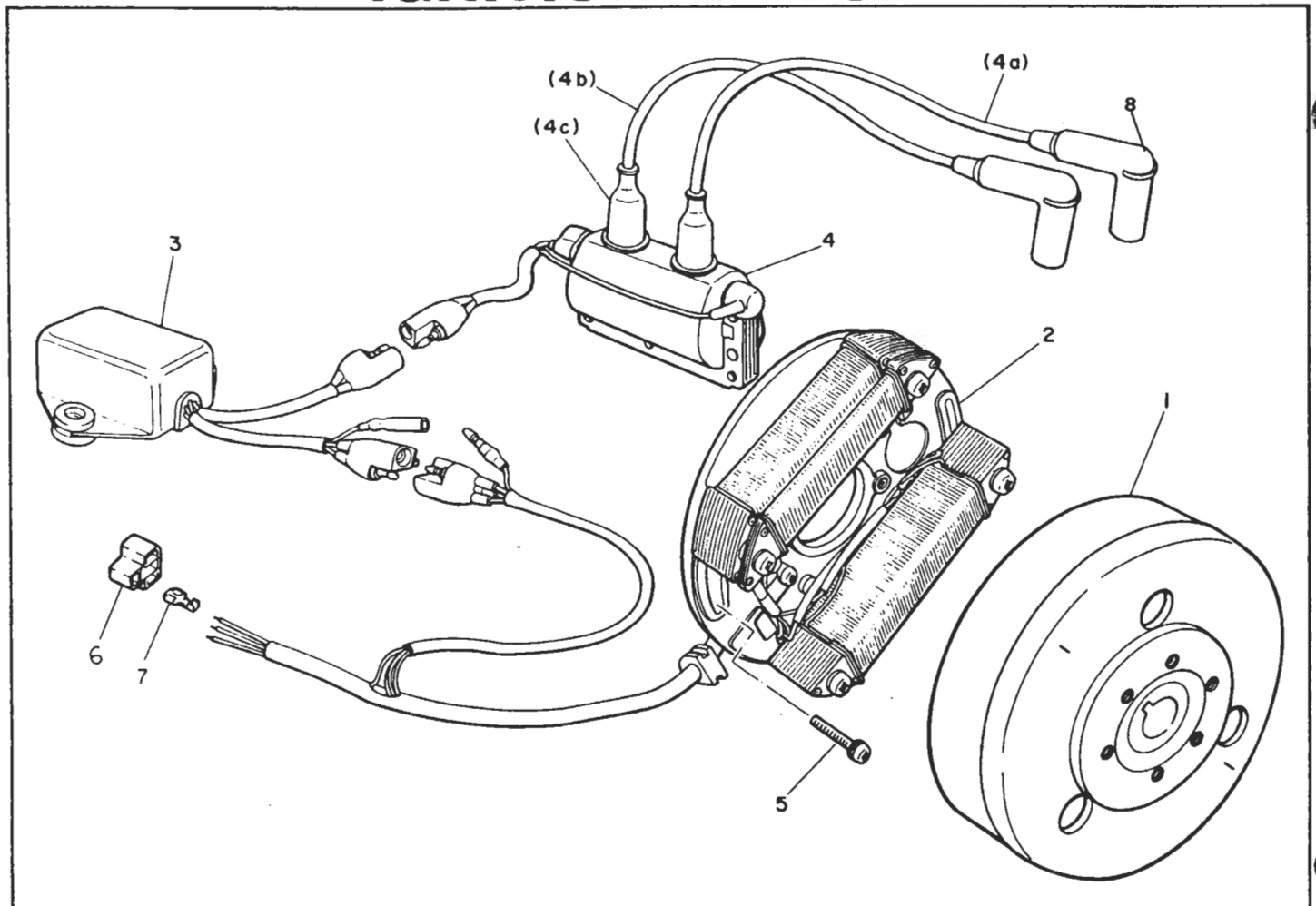


# CRANK & PISTON GROUP

REF. NO.	PART NO.	DESCRIPTION	G44-BWR	G34-BWR	G25-BWR
1	26076	Piston (Std)	2		
	26077	Piston (Std)		2	
	26078	Piston (Std)			2
	26079	Piston (0.5 mm)	2		
	26080	Piston (0.5 mm)		2	
	26081	Piston (0.5 mm)			2
	26082	Piston (1.0 mm)	2		
	26083	Piston (1.0 mm)		2	
	26084	Piston (1.0 mm)			2
2	26085	Piston Ring (Top Std)	2		
	26086	Piston Ring (Top Std)		2	
	26087	Piston Ring (Top Std)			2
	26088	Piston Ring (Top 0.5 mm)	2		
	26089	Piston Ring (Top 0.5 mm)		2	
	26090	Piston Ring (Top 0.5 mm)			2
	26091	Piston Ring (Top 1.0 mm)	2		
26092	Piston Ring (Top 1.0 mm)		2		
26093	Piston Ring (Top 1.0 mm)			2	
4	26103	Pin, Piston	2		
	26104	Pin, Piston		2	
	26105	Pin, Piston			2
5	26106	Needle Bearing	2		
	26107	Needle Bearing		2	
	26108	Needle Bearing			2
6	26109	Thrust Washer	4		
	26110	Thrust Washer		4	
	26111	Thrust Washer			4
7	26112	Snap Ring	4	4	
	26113	Snap Ring			4
8	26114	Crankshaft (Comp)	1		
	26115	Crankshaft (Comp)		1	
	26116	Crankshaft (Comp)			1
8A	26117	Ball Bearing (Magneto Side)	1		
	26118	Ball Bearing (Magneto Side)		1	1
8B	26117	Ball Bearing (PTO Side)	2		
	26118	Ball Bearing (PTO Side)		2	2
8C	26120	Spacer	1	1	1
9	26121	Stop Ring	1		
	26122	Stop Ring		1	1
10	26123	Oil Seal (Magneto Side)	1		
	26124	Oil Seal (Magneto Side)		1	1
11	26125	Key (Magneto)	1	1	1
12	26126	Nut	1	1	1
13	26127	Spring Washer	1	1	1
14	26128	Washer	1	1	1

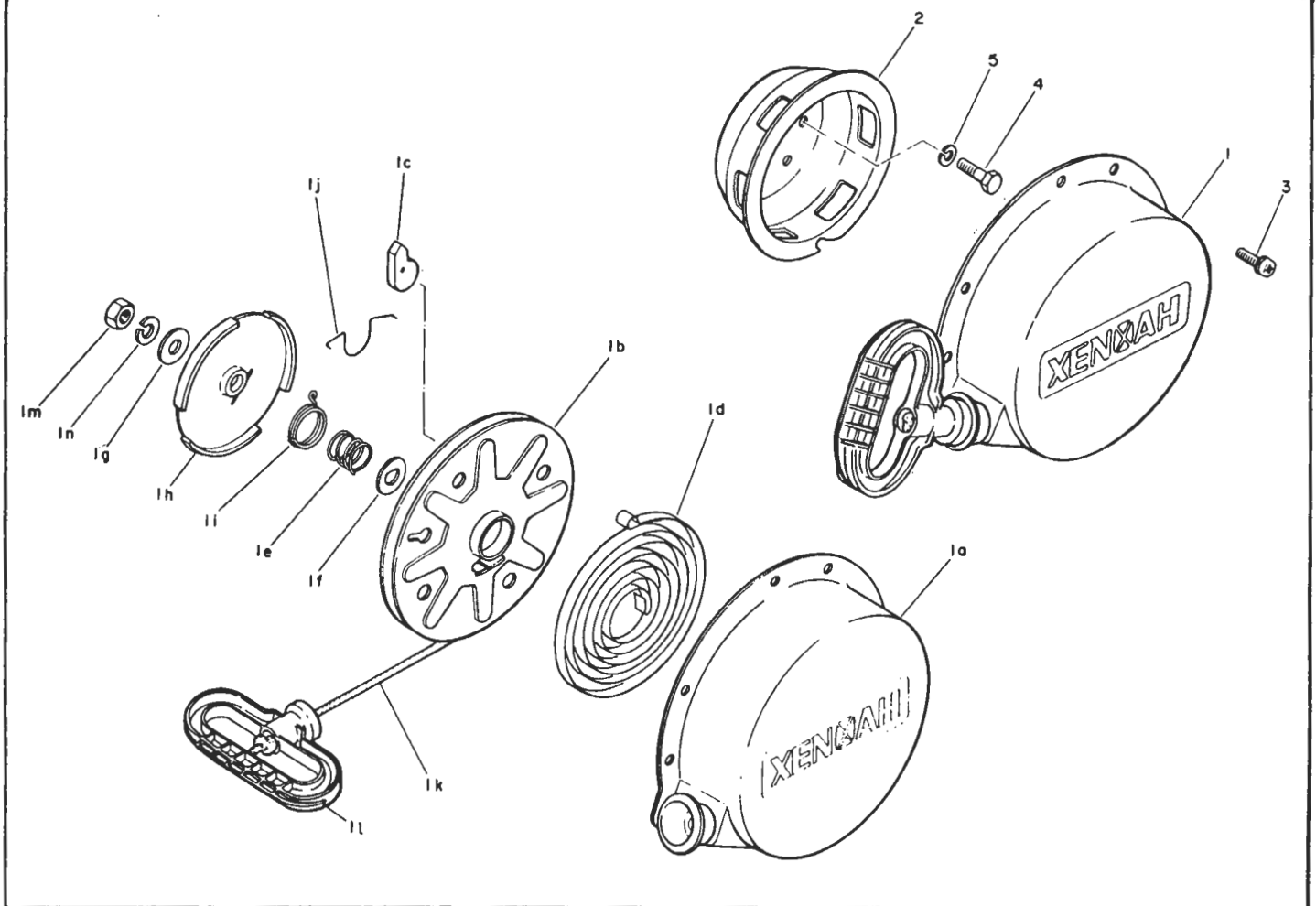


# IGNITION GROUP



REF. NO.	PART NO.	DESCRIPTION	G44-BWR	G34-BWR	G25-BWR
	26129	Ignition System	1 Set	1 Set	1 Set
1	26130	Flywheel Assembly	1	1	1
2	26132	Coil Plate Assembly	1	1	1
3	26131	CDI Unit	1	1	1
4	26133	Ignition Coil	1	1	1
4A	26099	Ignition Cord	1	1	1
4B	26100	Ignition Cord	1	1	1
4C	26209	Cap, Ignition Coil	2	2	2
5	26134	Screw	2	2	2
6	GM6288317	Housing	1	1	1
7	GM2973369	Blade, Recp.	3	3	3
8	39224	Spark Plug Cap	2	2	2

# RECOIL GROUP



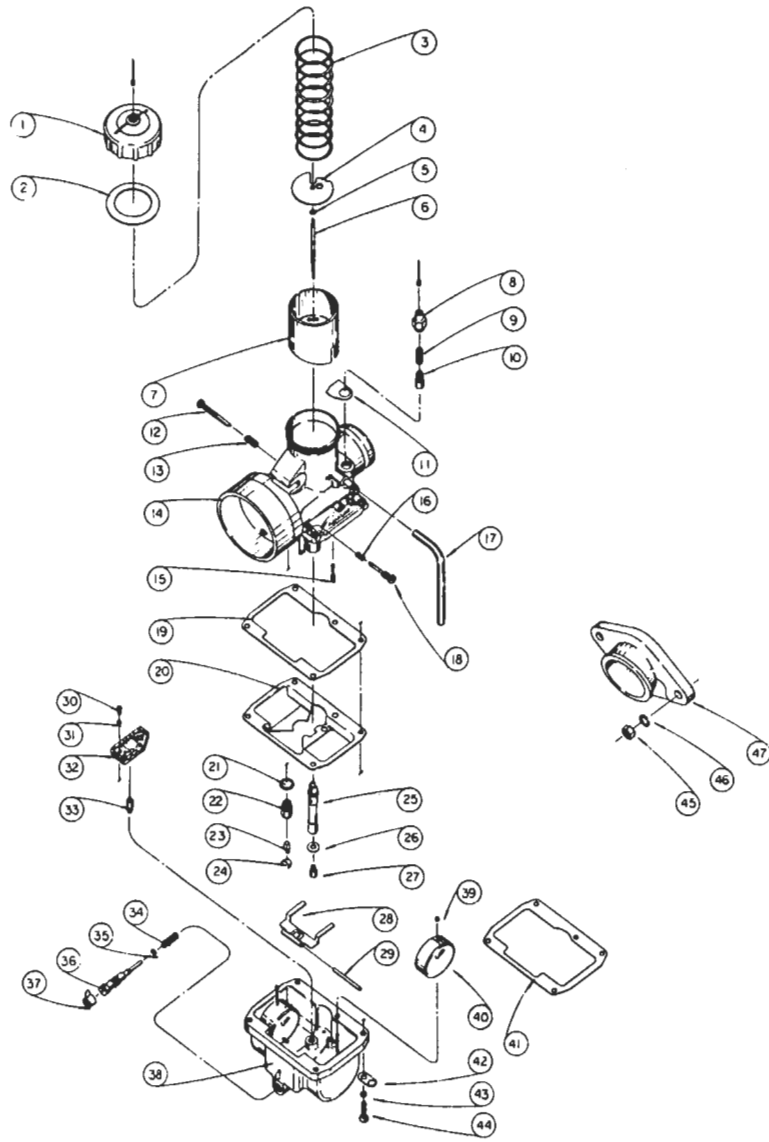
REF. NO.	PART NO.	DESCRIPTION	G44-BWR	G34-BWR	G25-BWR
1	26136	Recoil Assembly	1	1	1
1A	26216	Recoil Cover	1	1	1
1B	26217	Reel	1	1	1
1C	26218	Ratchet	1	1	1
1D	26219	Spiral Spring	3	3	3
1E	26220	Friction Spring	1	1	1
1F	26221	Washer	1	1	1
1G	26222	Thrust Washer	1	1	1
1H	26223	Friction Plate	1	1	1
1I	26224	Return Spring A	1	1	1
1J	26225	Return Spring B	3	3	3
1K	26226	Rope	1	1	1
1L	25108	Handle	1	1	1
1M	26101	Nut	1	1	1
1N	26102	Spring Washer	1	1	1
2	26137	Starter Pulley	1	1	1
3	26140	Screw	4	4	4
4	26138	Bolt	6	6	6
5	26139	Spring Washer	6	6	6

# CARBURETOR GROUP

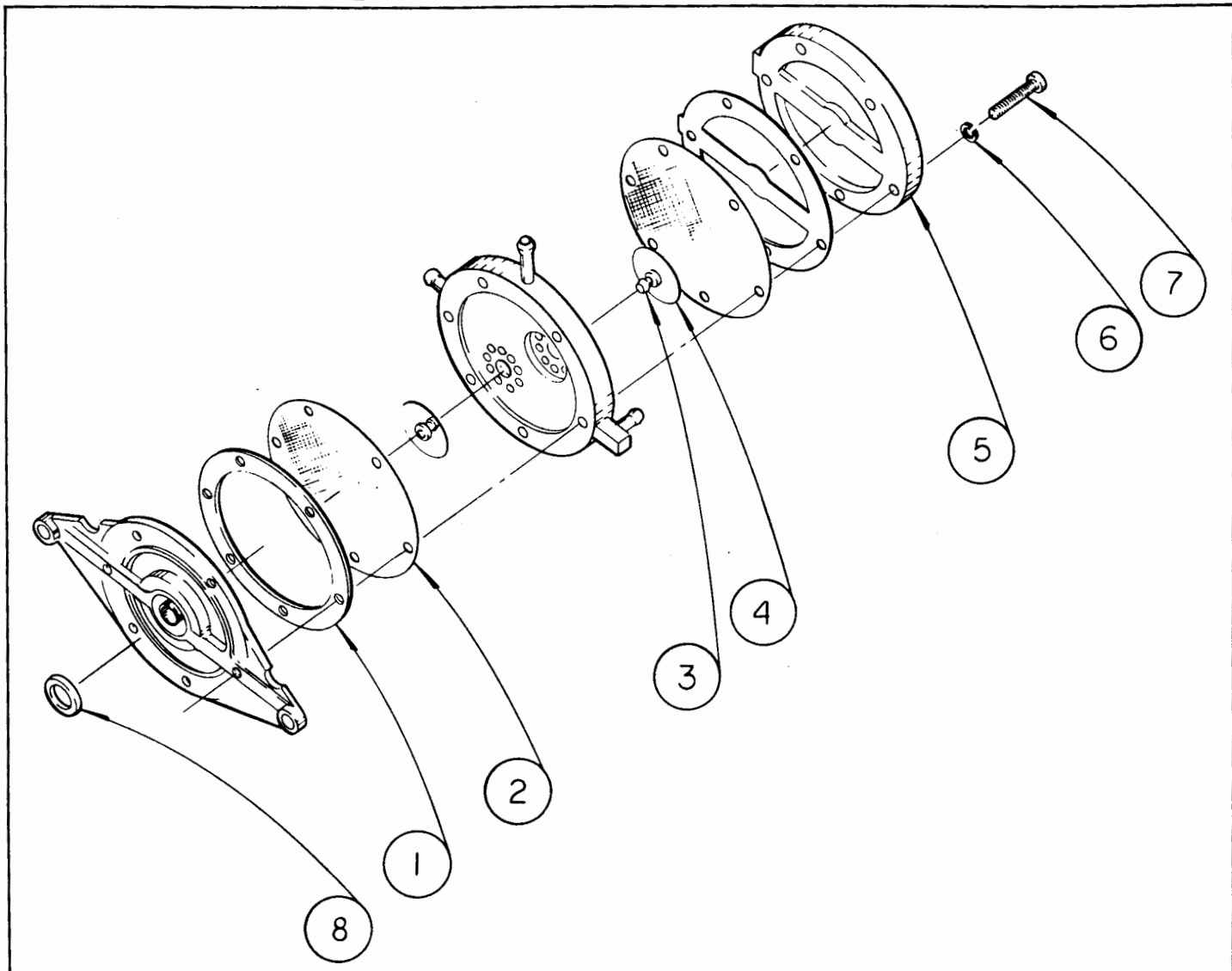
REF. NO.	PART NO.	DESCRIPTION	G44-BWR	G34-BWR	G25-BWR
1	37841	Mixing Body - Top	2	2	
	39075	Mixing Body - Top			2
2	37842	Gasket	2	2	2
3	36139	Spring - Throttle Valve	2	2	2
4	37843	Plate	2	2	
	39074	Plate			2
5	36163	E-Ring	2	2	2
6	37877	Jet Needle 6DH7	2		
	37876	Jet Needle 6DP5		2	
	36168	Jet Needle 6DP1			2
7	37845	2.0 Piston Valve (OPT.)		2	
	37846	1.5 Piston Valve (STD)		2	
	37847	2.5 Piston Valve (OPT.)		2	
	37848	2.0 Piston Valve (OPT.)	2		
	37849	1.5 Piston Valve (STD)	2		
	37850	2.5 Piston Valve (OPT.)	2		
	39078	1.5 Piston Valve (STD.)			2
	39077	1.0 Piston Valve (OPT)			2
	39079	2.0 Piston Valve (OPT)			2
8	37851	Cap-Starter Plunger	2	2	2
9	36156	Spring	2	2	2
10	36154	Starter Plunger	2	2	2
11	Not Req'd				
12	36149	Screw-Throttle Stop	2	2	2
13	36150	Spring	2	2	2
14	37852	Mixing Body Assembly 36 mm (340)		2	
	37853	Mixing Body Assembly 38 mm (440)	2		
	39084	Mixing Body Assembly 34 mm (250)			2
15	37878	50 Pilot Jet		2	2
	37879	65 Pilot Jet	2		
	36131	30 Pilot Jet (Optional)	2	2	2
	36132	35 Pilot Jet (Optional)	2	2	2
	36133	40 Pilot Jet (Optional)	2	2	2
16	36151	Spring	2	2	2
17	37854	Tube, Air Vent	2	2	2
18	36152	Screw, Pilot Air	2	2	2
19	37855	Gasket	2	2	
	39082	Gasket			2
20	37856	Plate, Baffle	2	2	
	39076	Plate, Baffle			2
21	37857	Washer	2	2	2
22	37858	Needle Valve Assembly	2	2	2
23	N/A	Needle Valve (Order Assembly)			
24	N/A	Keeper (Order Assembly)			
25	37874	Needle Jet 159 Q-4		2	
	37875	Needle Jet 166 Q-4	2		
	39085	Needle Jet 159 Q-O			2
26	36164	Washer.	2	2	2
27	36166	Needle Jet-Setter	2	2	2
28	37861	Float Arm	2	2	
	39083	Float Arm			2
29	37862	Pin-Float	2	2	2
30	37863	Screw	2	2	2
31		Lockwasher (with Screw Only)	2	2	2
32	37864	Screen, Plate	2	2	2
33	36122	220 Main Jet (STD)	2		
	36120	200 Main Jet (STD)		2	
	36123	230 Main Jet (STD)			2
	36117	170 Main Jet (Optional)	2	2	2
	36127	270 Main Jet (Optional)	2	2	2
34	37856	Spring	2	2	2

# CARBURETOR GROUP

REF NO.	PART NO.	DESCRIPTION	G44-BWR	G34-BWR	G25-BWR
35	37866	'O' Ring	2	2	2
36	37867	Needle Adjuster	2	2	2
37	37868	Cap	2	2	2
38	37869	Bowl, Float	2	2	
	39081	Bowl, Float			2
39	36161	Cap, Float	4	4	4
40	37870	Float	4	4	
	39080	Float			4
41	37855	Gasket	2	2	
	39082	Gasket			2
42	37871	Retainer, Vent Line	2	2	2
43		Lockwasher (with Screw Only)	8	8	8
44	37872	Screw	8	8	8
45	26007	Nut	4	4	4
46	26009	Lockwasher	4	4	4
47	36878	Adaptor, Carb Mtg			2
48	38616	Adaptor, Carb Mtg.	2	2	
	38571	Carburetor Ass'y (Comp)			2
	38572			2	
	38573		2		

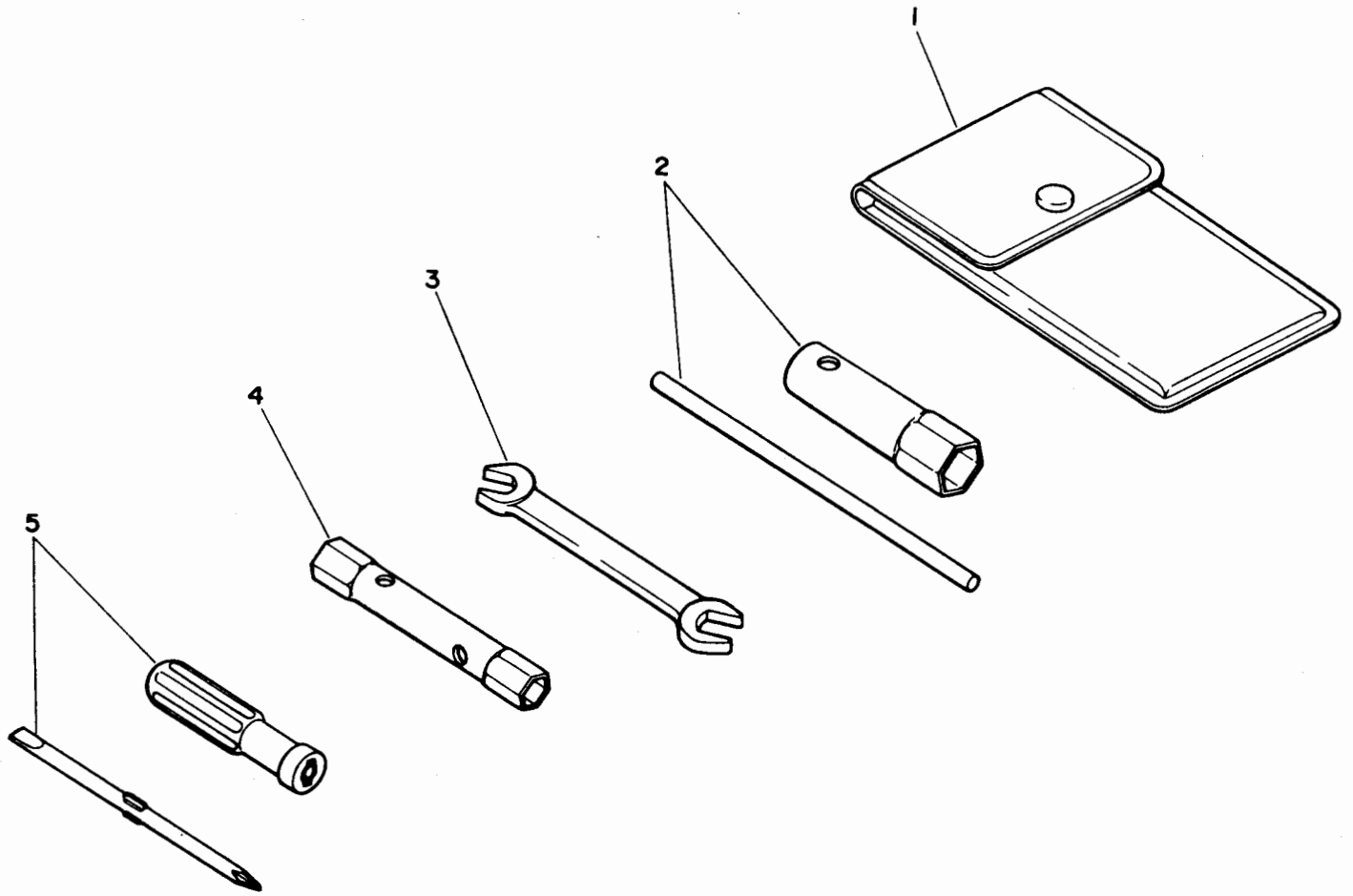


# MIKUNI FUEL PUMP GROUP



REF. NO.	PART NO.	DESCRIPTION	G44-BWR	G34-BWR	G25-BWR
1	36028	Diaphragm	2	2	2
2	36026	Packing - Top	1	1	1
3	36027	Valve	2	2	2
4	36029	Grommet	2	2	2
5	36025	Packing - Bottom	1	1	1
6	24217	Screw M4 x 12M Lg.	6	6	6
7	24216	Washer M4	6	6	6
8	38931	'O' Ring	1	1	1
	38600	Fuel Pump Ass'y (Complete)	1	1	1

# TOOL KIT



REF. NO.	PART NO.	DESCRIPTION	G44-BWR	G34-BWR	G25-BWR
1	26148	Tool Kit (Comp)	1	1	1
2		Tool Bag	1	1	1
3		Plug Wrench	1	1	1
4		13 mm - 14 mm Wrench	1	1	1
5		10 mm - 13 mm Wrench	1	1	1
		Screw Drivers	1	1	1
	26147	Complete Service Repair Kit for Xenoah Fan and Liquid Cooled Engines			

Note: Tools to be Ordered in Complete Kit Only. Not Separately.

# SPECIFICATIONS

ENGINE MODEL	G44-BWR	G34-BWR	G25-BWR
Cylinder Bore	2.677"	2.519"	2.157"
Piston Diameter	2.674	2.516	2.154
Ignition Timing (Warm)	19.5° B.T.D.C. (At 6000 RPM)		
Spark Plugs	QN19V		
Crankshaft Alignment	.0032"	.0032"	.0032"
Crankshaft End Play	.002 or .004	.002 or .004	.002 or .004
Displacement	432cc	338cc	248cc
Stroke	59.5	52.6	52.6
Compression Ratio	13.4:1	12.2:1	12.2:1
Starting System	Recoil	Recoil	Recoil
Lighting Coil	12v/140w	12v/140w	12v/140w
Fuel Mix	20:1	20:1	20:1
<b>TORQUE SPECS.</b>			
Cylinder Head	14	16 Ft. Lb.	
Cylinder	21	24 Ft. Lb.	
Crank Case	14	16 Ft. Lb.	
Flywheel Nut	42	56 Ft. Lb.	
8mm Bolts	10.5	13 Ft. Lb.	
6mm Bolts	5	6.5 Ft. Lb.	

# NOTES

