

FIG. A

RAIDER XXXXXXXXXX
TWIN
TROCK XXXXXXXXXX

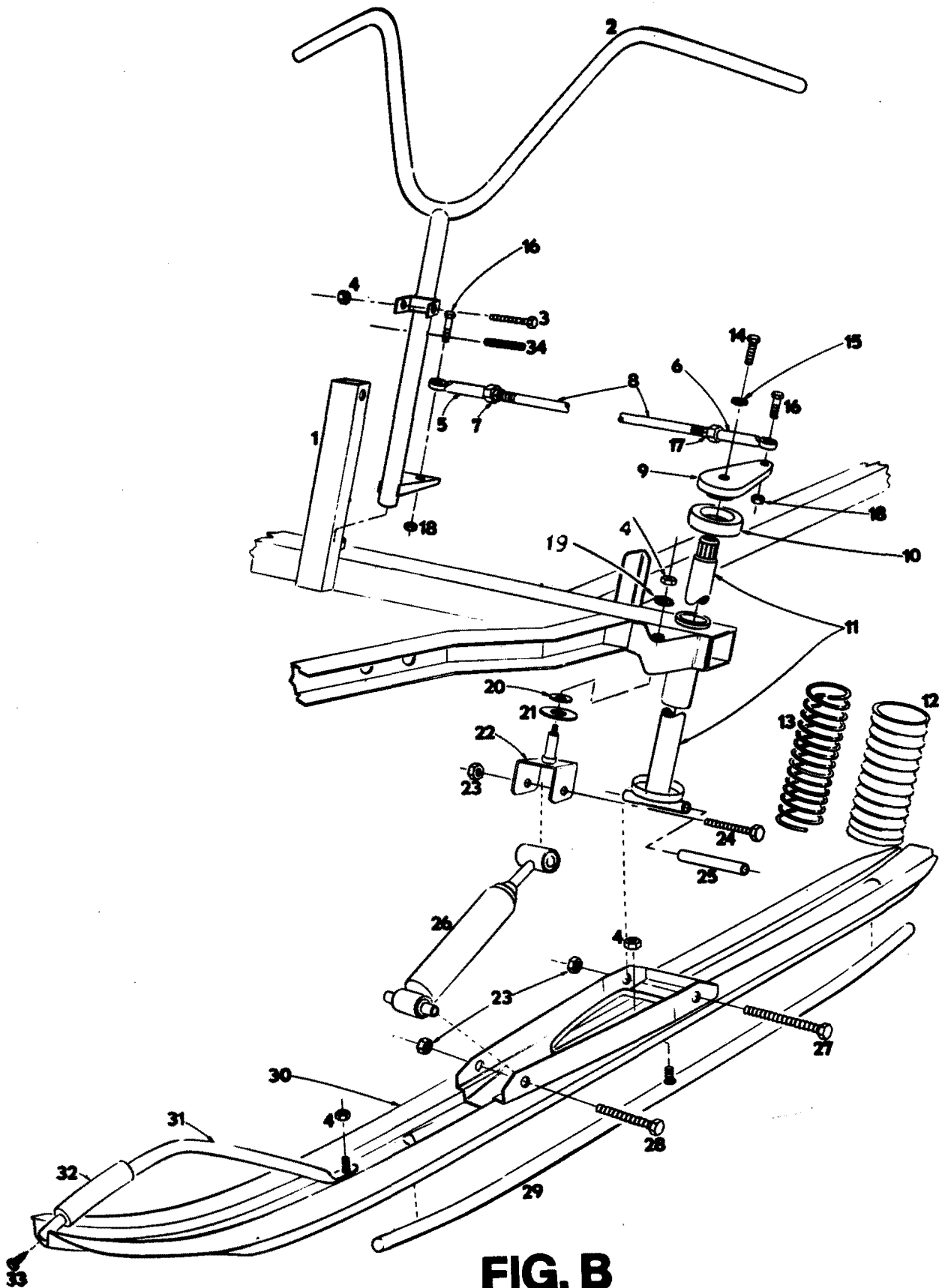


FIG. B

FIGURE "B"

REFERENCE NUMBER	PART NUMBER	DESCRIPTION	VEHICLE QUANTITY
1	1101-R-3000	Frame Assembly	1
2	1505-R-3000	Handlebar Assembly	1
3	2101A-31-22	Bolt-5/16-18 x 2.75 Hex Head	1
4	2203A-31	Lock Nut-5/16-18-Hex Head	7
5	1504-R-3003	Rod End-RH Thread-Male	2
6	1504-R-3002	Rod End-LH Thread-Male	2
7	2206A-38	Jam Nut-3/8-24-N.F.	2
8	1504-R-3000	Tie Rod-Steering	2
9	1503-R-3000	Steering Arm Assembly	2
10	1502-R-3005	Bumper Stop-Spindle	2
11	1502-R-3000	Spindle Assembly-Steering	2
12	1507-R-3000	Boot-Steering Spindle	2
13	1506-R-3000	Spring-Front Suspension	2
14	2101A-31-6	Bolt-5/16-18 x .75 Hex Head	2
15	2324-31	Lock Washer-5/16	2
16	2101A-38-10	Bolt-3/8-16 x 1.25-Hex Head	4
17	2206A-38L	Jam Nut-3/8-24-N.F.- LH Thread-Hex Head	2
18	2203A-38	Lock Nut-3/8-16-N.C.-Hex Head	4
19	2305-31	Flat Washer-5/16	2
20	1508-R-3003	Washer-Shock Mtg. Front	2
21	1508-R-3005	Seal-Shock Mtg. Front	2
22	1508-R-3001	Bracket Assembly-Swivel Shock Mount	2
23	2203A-38	Lock Nut-3/8-16-Hex Head	6
24	2101A-38-16	Bolt-3/8-16 x 2.00-Hex Head	2
25	1501-R-3009	Bushing-Ski Pivot	2
26	1508-R-3000	Shock Absorber-Front	2
27	2101A-38-34	Bolt-3/8-16 x 4.25-Hex Head	2
28	2101A-38-22	Bolt-3/8-16 x 2.75-Hex Head	2
29	1501-R-3006	Wear Rod Assembly	2
30	1501-R-3001	Ski Assembly	2
31	1501-R-3000	Handle Ski	2
32	1501-R-3010	Grip-Ski	2
33	2401A-38-12	Self Tapping Screw-3/8-12 x .75 Hex Head	2
34	2904	Roll Pin-1/8 x 1.25	1

FIG. C

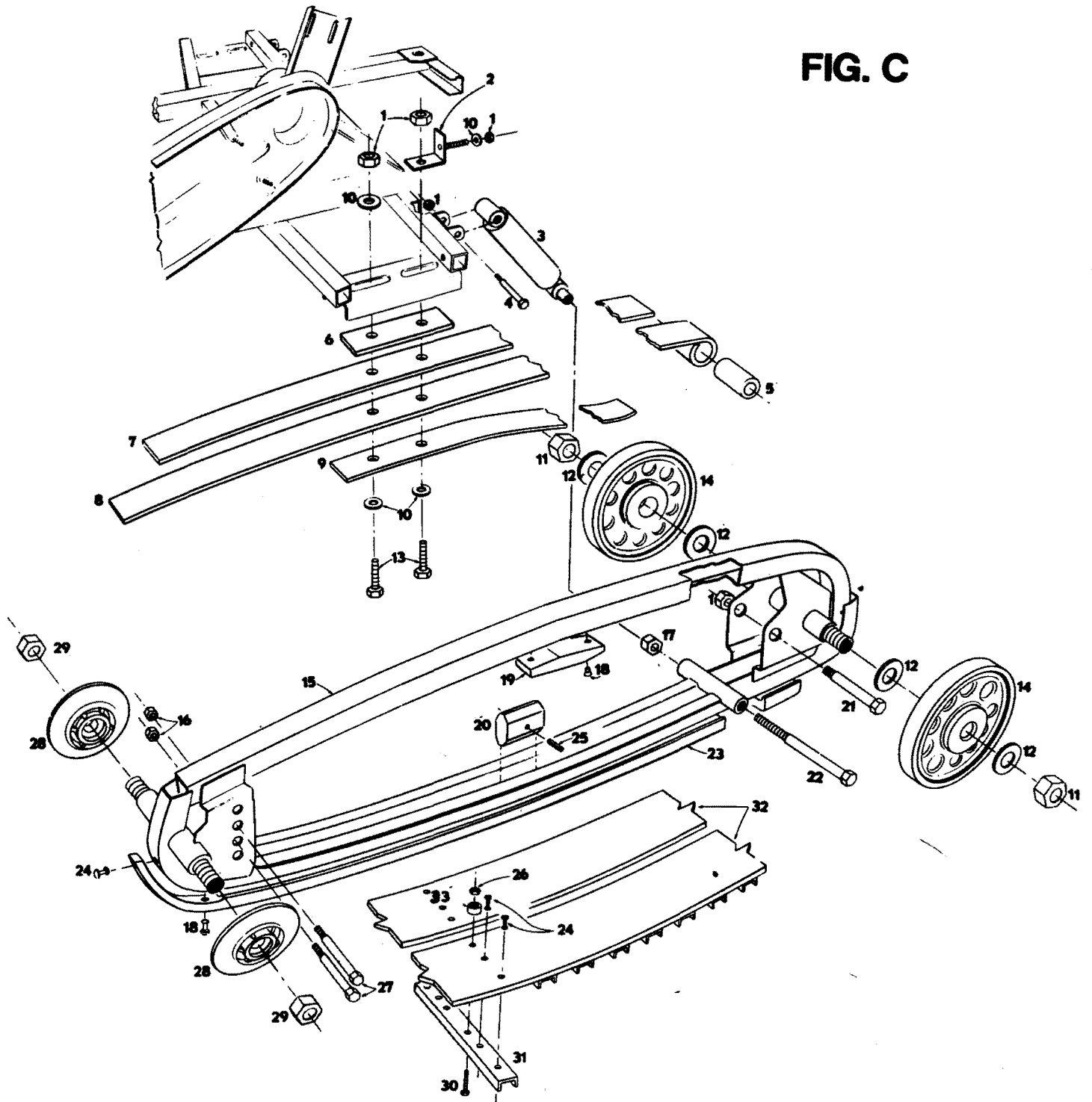


FIGURE "C"

REFERENCE NUMBER	PART NUMBER	DESCRIPTION	VEHICLE QUANTITY
1	2203A-38	Lock Nut-3/8-16	10
2	1205-R-3004	Adjuster-Track Assembly	2
3	1206-R-3000	Shock Absorber-Rear	2
4	2101A-38-16	Bolt-3/8-16 x 2.00-Hex Head	2
5	1205-R-3003	Bushing-Rear Spring	2
6	1205-R-3007	Plate-Spring Pressure	2
7	1205-R-3001	Spring-Rear Upper	2
8	1205-R-3000	Spring-Rear Main	2
9	1205-R-3002	Spring-Rear Overload	2
10	2305-38	Flat Washer-3/8	8
11	2250A-75	Lock Nut-3/4-10-N.C.-Hex Stover	4
12	2305-75	Flat Washer-3/4	8
13	2101A-38-12	Bolt-3/8-16 x 1.50-Hex Head	4
14	1207-R-3001	Wheel-Track Support-Rear	4
15	1201-R-3002	Slide Frame Subassembly	2
16	2203A-31	Lock Nut-5/16-18	4
17	2203A-44	Lock Nut-7/16-14	2
18	2509	Rivet-SD-66-BS	20
19	1201-R-3015	Rebound Stop-Rear Upper	2
20	1201-R-3012	Stop-Bumper Suspension	2
21	2101A-38-22	Bolt-3/8-16 x 2.75	2
22	2101A-44-38	Bolt-7/16-14 x 4.75	2
23	1201-R-3009	Slide Rail	2
24	2501	Rivet-SD-66-BSLF	126
25	2907	Roll Pin-3/16 x 1.25	2
26	2203P-10	Lock Nut-10-24	94
27	2111	Shoulder Bolt-Hex Head-Special-5/16 Thread	4
28	1202-R-3000	Bogie Wheel	4
29	2255A-62	Lock Nut-5/8-18-N.F.-Hex Head	4
30	2408P-10-12	Screw-10-24 x.75	94
31	1204-R-3002	Growser Bar	62
32	1204-R-3000	Track Assembly	2
33	1204-R-3003	Track Guide	94

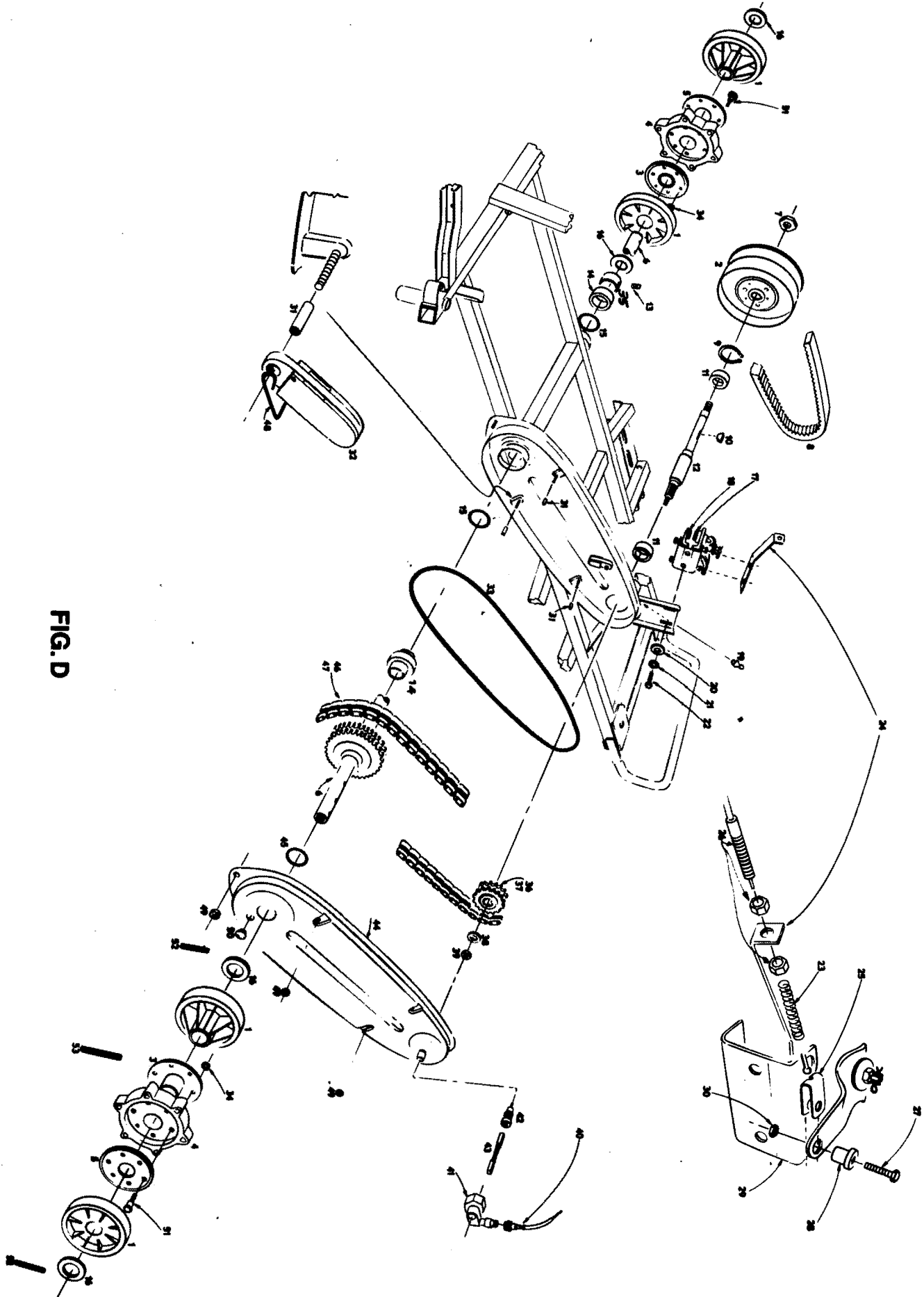


FIG. D

FIGURE "D"

REFERENCE NUMBER	PART NUMBER	DESCRIPTION	VEHICLE QUANTITY
1	1207-R-3000	Wheel-Track Support-Front	4
2	1602-R-3001	Driven Converter	1
3	1608-R-3003	Hub Assembly-Track Drive Sprocket	2
4	1608-R-3000	Sprocket-Track Drive	2
5	1608-R-3005	Flange-Track Drive Sprocket	2
6	1606-R-3000	Drive Axle Assembly	1
7	2250A-75	Lock Nut-3/4-10-Hex Stover	1
8	1603-R-3000	Drive Belt	1
9	3003	Retaining Ring-Bearing Housing-Truarc	1
10	2903	Key-Woodruff No. 606	1
11	1609-R-3000	Bearing-Converter Shaft	2
12	1607-R-3013	Shaft-Torque Converter	1
13	2908	Set Screw	1
14	1609-R-3001	Bearing-Drive Axle	2
15	1609-R-3003	Seal-Bearing-"O" Ring	2
16	2382	Bushing-Machine-No. 12	4
17	1805-R-3011	Brake Puck-Outer	1
18	1805-R-3010	Brake Puck-Inner	1
19	3101	Fitting-Grease	1
20	2305-31	Flat Washer-5/16	2
21	2324-31	Lock Washer-5/16	2
22	2101A-31-5	Bolt-5/16-18 x 5/8-Hex Head	2
23	1805-R-3003	Spring-Brake Control	1
24	1805-R-3008	Bracket-Brake Cable Mounting	1
25	1805-R-3002	Clevis-Brake Control	1
26	1805-R-3000	Brake Control Cable Assembly	1
27	2101A-25-6	Bolt-1/4-20 x .75-Hex Head	1
28	1805-R-3005	Bushing-Brake Swivel	1
29	1805-R-3004	Brake Assembly	1
30	2203A-25	Lock Nut-1/4-20-Hex Head	1
31	1607-R-3005	Spacer-Chain Case	4
32	1607-R-3008	Slipper-Chain Tensioner	2

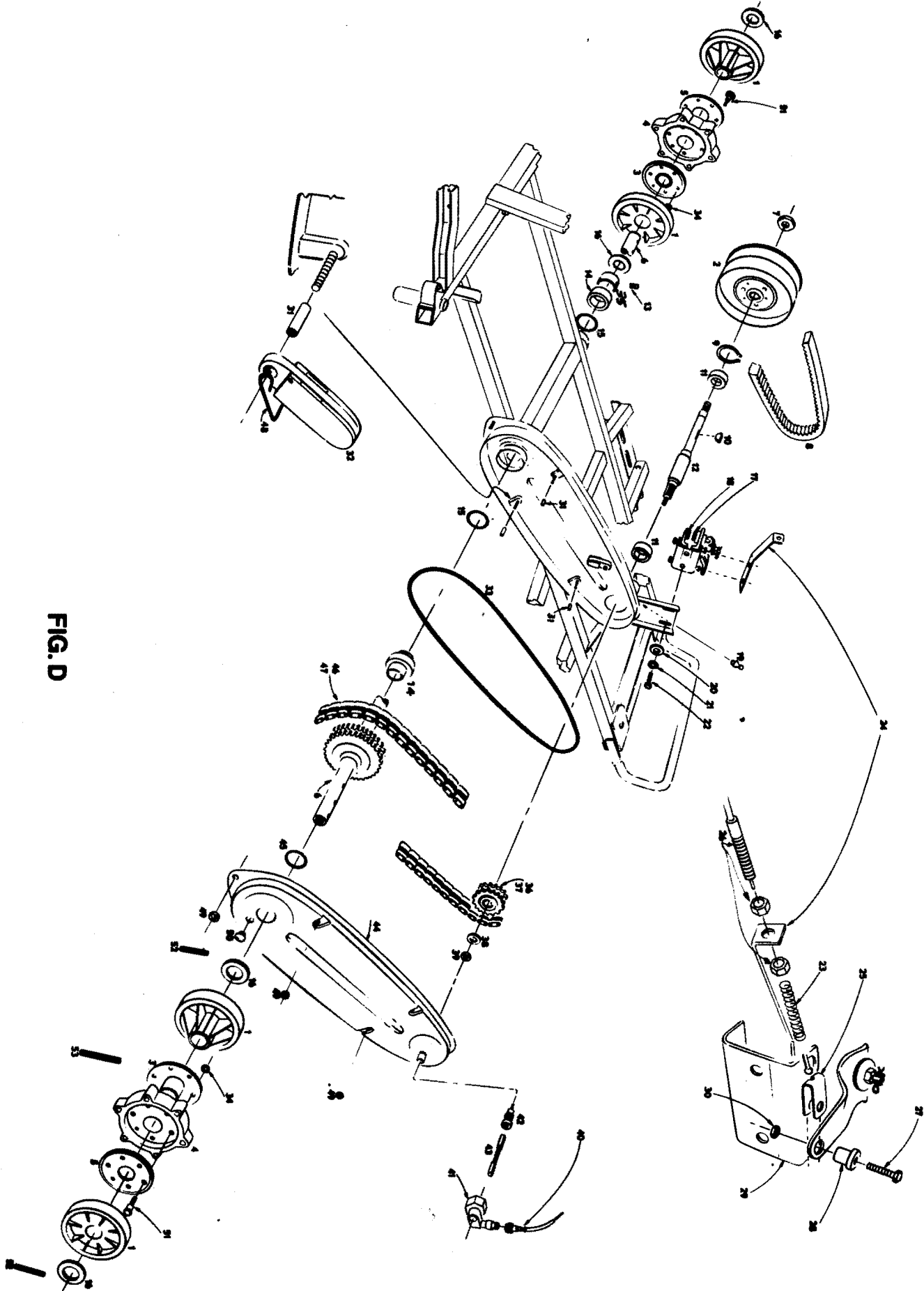


FIG. D



LEISURE
VEHICLES
INCORPORATED

FIGURE "D"
(Con't.)

REFERENCE NUMBER	PART NUMBER	DESCRIPTION	VEHICLE QUANTITY
33	1607-R-3014	Seal-Chain Case-Outer	1
34	2203A-31	Lock Nut-5/16-18	12
35	1609-R-3002	Collar-Drive Axle Bearing	1
36	1601-R-3001	Chain Sprocket-18T-400 CCW	1
37	1601-R-3003	Chain Sprocket-20T-440 CCW	1
38	2305-62	Flat Washer-5/8	1
39	2255A-62	Lock Nuts-5/8-18-N.F.-Hex Stover	1
40	1803-R-3001	Speedometer Cable	1
41	1803-R-3005	Adaptor-Speedometer Drive	1
42	1803-R-3002	Bushing-Speedometer	1
43	1803-R-3003	Key-Speedometer Square	1
44	1607-R-3009	Cover Assembly-Chain Case	1
45	1607-R-3023	Seal-Chain Case Shaft	1
46	1604-R-3001	Drive Chain-(131 Pitch) 440 CCW	1
47	1604-R-3002	Drive Chain-(130 Pitch) 400 CCW	1
48	1607-R-3007	Spring-Chain Tensioner	2
49	2252A-25	Lock Nut-1/4-20	5
50	3001	Cap Plug-5/8	1
51	2110	Shoulder Bolt-Special	12
52	2905	Roll Pin-3/16 x 2.00	4
53	2902	Roll Pin-5/16 x 2.00	2

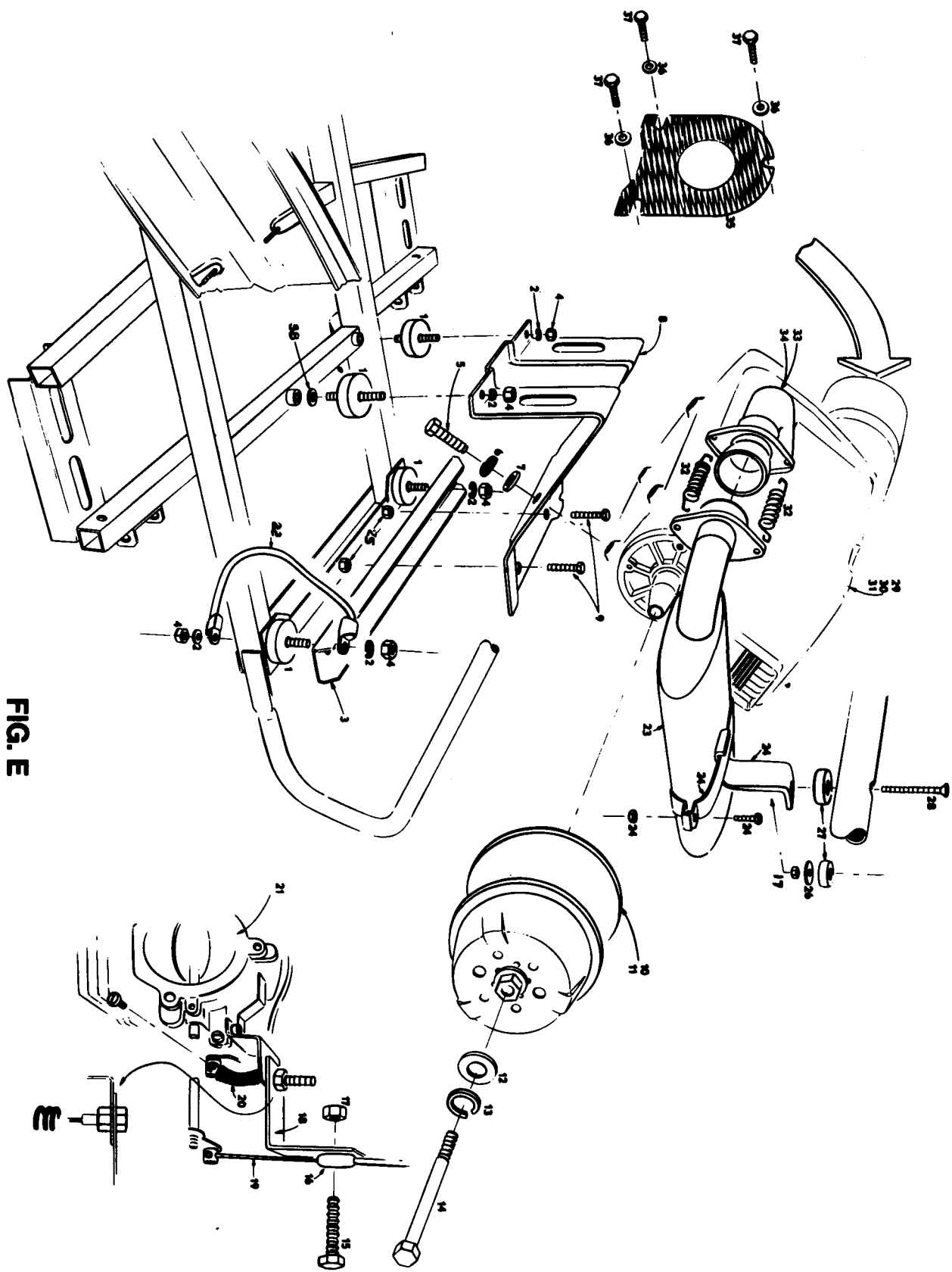


FIG. E

FIGURE "E"

REFERENCE NUMBER	PART NUMBER	DESCRIPTION	VEHICLE QUANTITY
1	1105-R-3000	Isolator-Motor Mount	4
2	2324-38	Lock Washer-3/8	5
3	1005-R-3002	Channel-Engine Mounting	1
4	2202A-38	Nut-3/8-24-N.F.-Hex	5
5	2101A-44-10	Bolt-7/16-14 x 1 1/4	4
6	2324-44	Lock Washer-7/16	4
7	2305-44	Flat Washer-7/16	4
8	1005-R-3000	Bracket-Engine Mounting	1
9	2101A-38-12	Bolt-3/8-16 x 1 1/2-Hex Head	2
10	1007-R-3001	Clutch-400/4, 440/4 CCW	1
11	1007-R-3002	Clutch-440/21 CCW	1
12	2305-50	Flat Washer-1/2	1
13	2324-50	Lock Washer-1/2	1
14	2102A-50-48	Bolt-1/2-20 x 6.0-Hex Head	1
15	2101A-25-6	Bolt-1/4-20 x .75-Hex Head	1
16	1802-R-3001	Clip-Choke Cable Retainer	1
17	2203A-25	Lock Nut-1/4-20-Hex Head	2
18	1802-R-3002	Bracket-Choke Mounting	1
19	1802-R-3000	Choke Cable Assembly	1
20	1801-R-3002	Spring-Throttle Return	1
21	1003-R-3001	Carburetor	1
22	1305-R-3013	Engine Ground	1
23	1004-R-3010	Muffler Assembly	1
24	1004-R-3020	Muffler Clamp Assembly	1
25	2203A-38	Lock Nut-3/8-16	2
26	2386	Fender Washer-1/4 x 1.0	1
27	1004-R-3019	Isolator-Muffler	2
28	2104A-25-32	Bolt-1/4-20 x 2 3/4-Flat Phillips Head	1
29	1001-R-3001	Engine-440/21 CCW	1
30	1001-R-3002	Engine-400/4	1
31	1001-R-3003	Engine-440/4	1
32	1004-R-3005	Spring-Ball Joint	2
33	1004-R-3011	Exhaust Manifold Assembly-440/21 CCW	1
34	1004-R-3012	Exhaust Manifold Assembly-400/440/4 CCW	1
35	1001-R-3004	Screen-Cooling Fan-400 CCW	1
36	2386	Fender Washer-1/4 x 1.0	3
37	2106A-6-18	Bolt-Metric-6 x 18	3
38	2383	Washer-Machine Screw	1

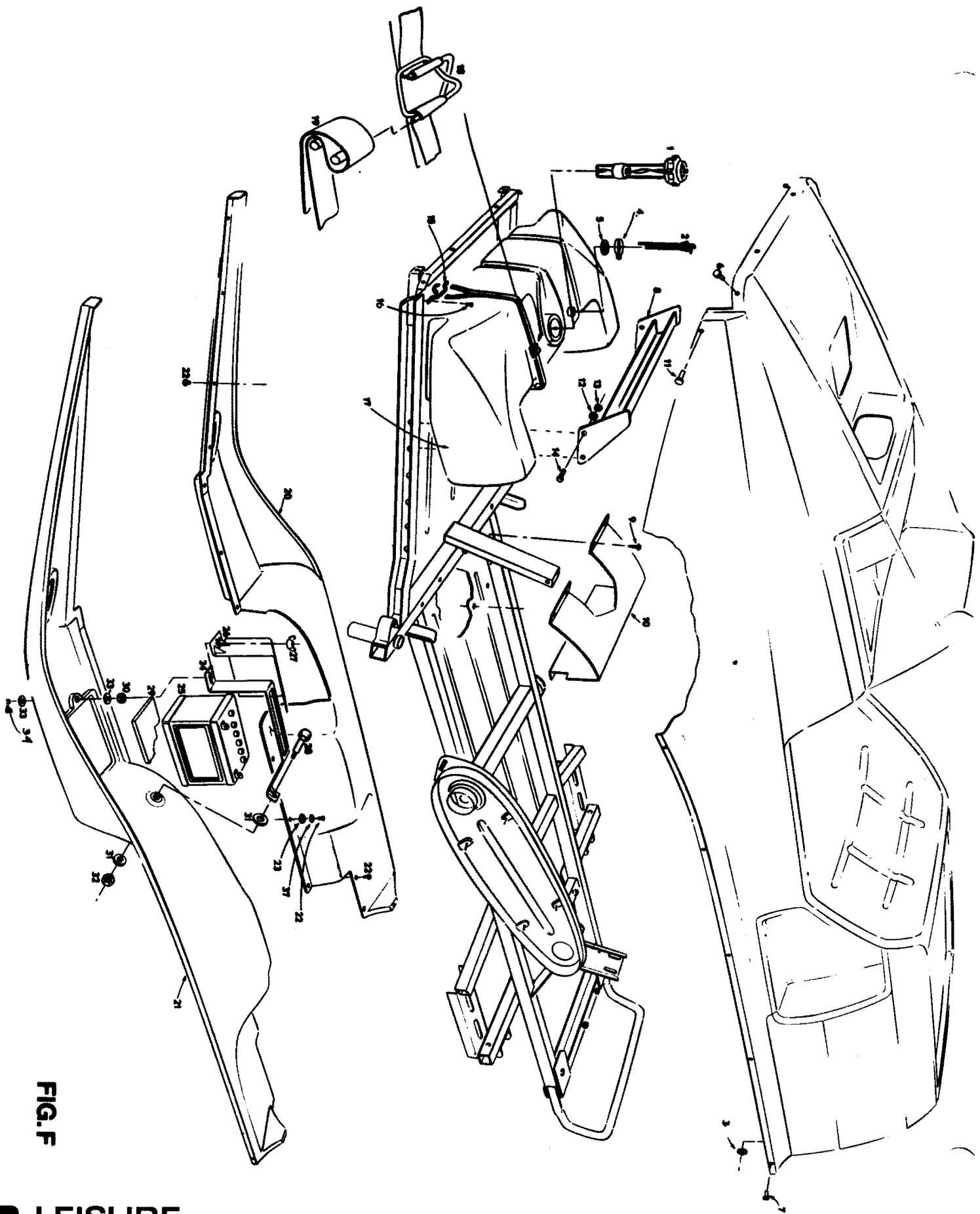


FIG. F

FIGURE "F"

REFERENCE NUMBER	PART NUMBER	DESCRIPTION	VEHICLE QUANTITY
1	1401R-3012	Cap Gauge-Fuel	1
2	1401-R-3005	Outlet Assembly-Fuel Tank	1
3	2305-10	Washer-3/16	21
4	3006	Clamp-Fuel Neck Hose	1
5	1401-R-3009	Gasket Outlet	1
6	2501	Rivet	4
7	2527	Rivet	18
8	1101-R-3001	Footrest Assembly	1
9	2509	Rivet	8
10	1101-R-3037	Tie Rod Cover	1
11	2523	Rivet	2
12	2324-31	Lock Washer-5/16	4
13	2201A-31	Nut-5/16-18	4
14	2101A-31-6	Bolt-5/16 x .75	4
15	1101-R-3034	Footman Loop	4
16	2510	Rivet	8
17	1401-R-3004	Fuel Tank	1
18	1401-R-3014	Clip-Fuel Tank Strap	2
19	1401-R-3013	Strap-Fuel Tank Hold Down	2
20	1705-R-3004	Valance Panel-R.H.	1
21	1705-R-3003	Valance Panel-L.H.	1
22	2501	Rivet	32
23	3007	Grommet	12
24	1706-R-3004	Strap-Battery Hold Down	1
25	5130-R-3000	Battery	1
26	1708-R-3000	Cover-Battery	1
27	2254A-25	Wing Nut-1/4-20	1
28	2110	Bolt-Special Shoulder	1
29	1708-R-3001	Pad-Battery	1
30	2203A-25	Lock Nut-1/4-20	1
31	2305-31	Flat Washer-5/16	2
32	2203A-31	Lock Nut-5/16-18	1
33	2305A-25	Flat Washer-1/4	2
34	2101A-25-8	Bolt-1/4-20 x 1.00-Hex Head	1

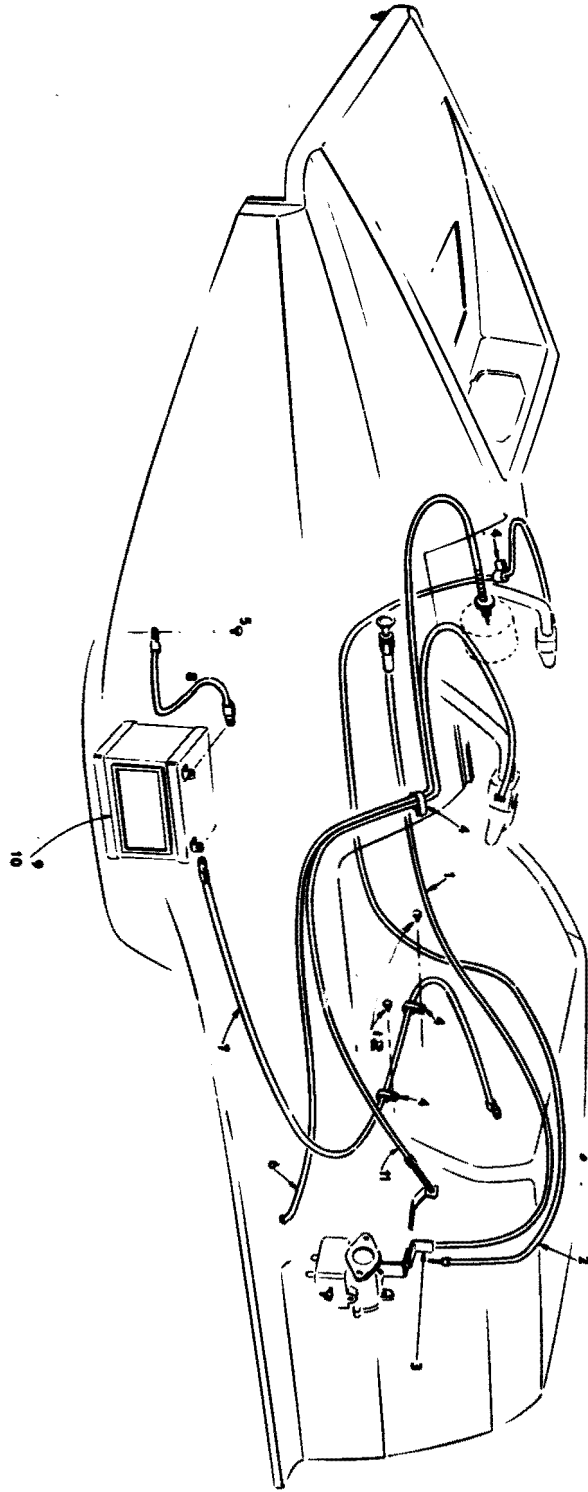


FIG. G

FIGURE "G"

REFERENCE NUMBER	PART NUMBER	DESCRIPTION	VEHICLE QUANTITY
1	1802-R-3000	Choke Cable Assembly	1
2	1801-R-3000	Throttle Control Cable Assembly	1
3	1802-R-3002	Bracket-Choke Mounting	1
4	3008	Clamp	4
5	2405-10-8	Tek Screw	1
6	1803-R-3001	Speedometer Cable	1
7	1305-R-3012	Battery Lead	1
8	1305-R-3014	Battery Ground	1
9	5130-R-3000	Battery-Service	1
10	1301-R-3000	Battery-Production	1
11	1805-R-3000	Brake Control Cable Assembly	1
12	2509	Rivet	2

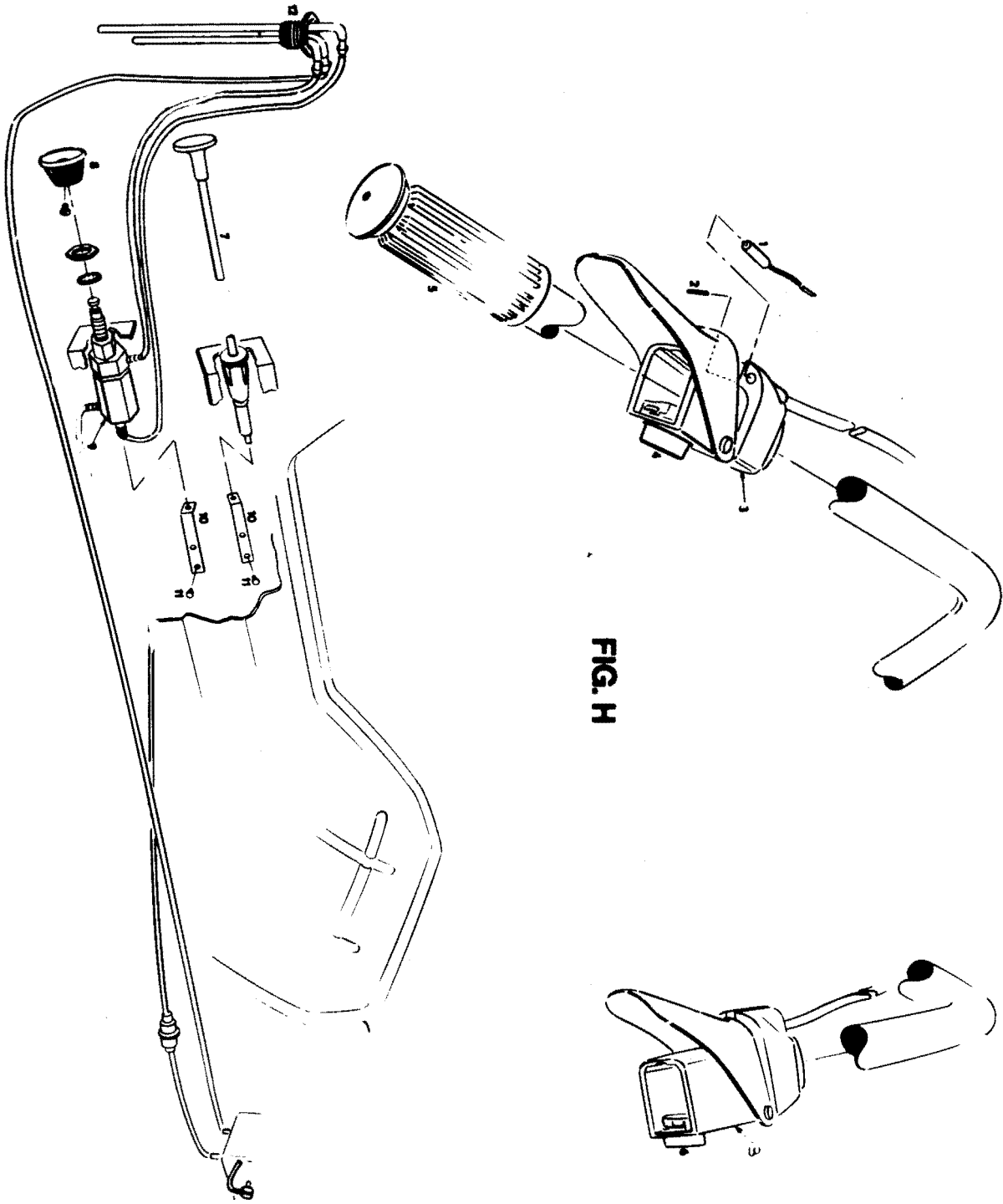


FIG. H

FIGURE "H"

REFERENCE NUMBER	PART NUMBER	DESCRIPTION	VEHICLE QUANTITY
1	1307-R-3004	Brake Light Switch	1
2	2909	Roll Pin	1
3	1801-R-3001	Head Assembly-Cable Control Lever	2
4	1307-R-3002	Dimmer Switch	1
5	1505-R-3005	Hand Grip-Handle Bar	2
6	1306-R-3008	Kill Switch-Ignition	1
7	1802-R-3000	Choke Cable Assembly	1
8	1806-R-3005	Knob-Valve-Gas Tank Reserve	1
9	1806-R-3003	Valve-Gas Tank Reserve	1
10	1706-R-3001	Bracket-Choke Cable-Body Mounting	2
11	2510	Rivet-SD-64-BS	4
12	1401-R-3005	Outlet Assembly-Fuel Tank	1

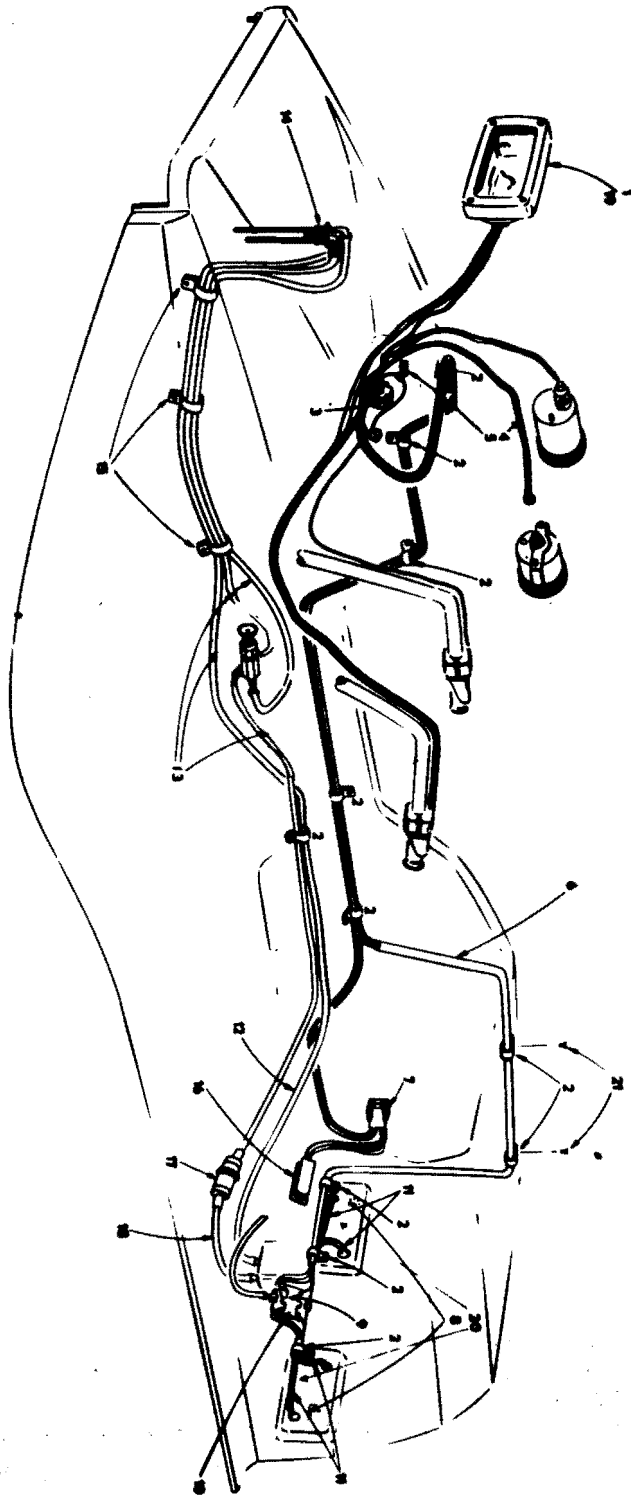


FIG. 1

FIGURE "I"

REFERENCE NUMBER	PART NUMBER	DESCRIPTION	VEHICLE QUANTITY
1	1308-R-3000	Headlamp Assembly	1
2	3008	Cable Clamp	11
3	1305-R-3011	Connector-5 way multiple	1
4	1305-R-3002	Terminal Strip-Ground (4 blade)	1
5	2524	Rivet	1
6	1305-R-3000	Wiring Harness Assembly	1
7	1304-R-3002	Coupler-8 Terminal	1
8	1309-R-3000	Tail Lamp Assembly	4
9	2524	Rivet	1
10	1305-R-3001	Terminal Strip-Ground (6 blade)	1
11	1309-R-3002	Socket & Cable Assembly-Tail Lamp	4
12	1403-R-3000	Fuel Line Return	1
13	1403-R-3001	Fuel Line	3
14	1401-R-3005	Outlet Assembly-Fuel Tank	1
15	3009	Cable Clamp	3
16	1304-R-3000	Rectifier	1
17	1404-R-3000	Fuel Filter	1
18	1403-R-3002	Fuel Line-Filter to Carburetor	1
19	1308-R-3001	Bulb-Head Lamp	1
20	1309-R-3003	Bulb-Tail Lamp	4
21	2509	Rivet	2

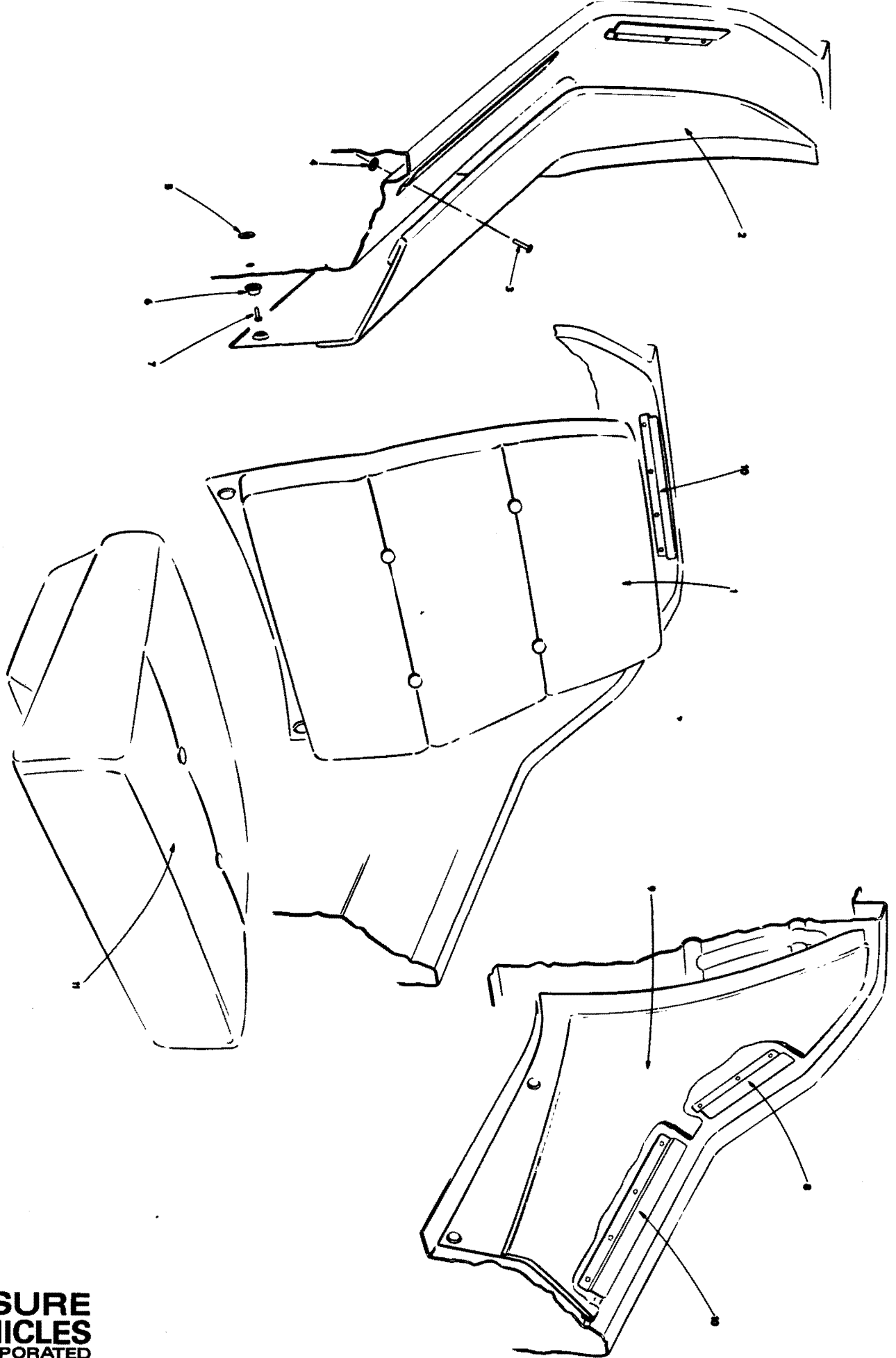


FIG. J



LEISURE
VEHICLES
INCORPORATED

FIGURE "J"

REFERENCE NUMBER	PART NUMBER	DESCRIPTION	VEHICLE QUANTITY
1	1709-R-3007	Cushion Assembly-Seat Back	1
2	1709-R-3012	Trim Assembly-Interior-R.H.	1
3	2509	Rivet	18
4	2305-10	Flat Washer-3/16	18
5	2385	Riveting Washer-1/8	6
6	3010	Stud Snap Fastener	6
7	2526	Rivet-1/8	6
8	1709-R-3002	Retainer-Seat Side Trim	2
9	1709-R-3011	Trim Assembly-Interior-L.H.	1
10	1709-R-3001	Retainer-Seat Back Trim	3
11	1709-R-3010	Cushion Assembly-Seat Bottom	1

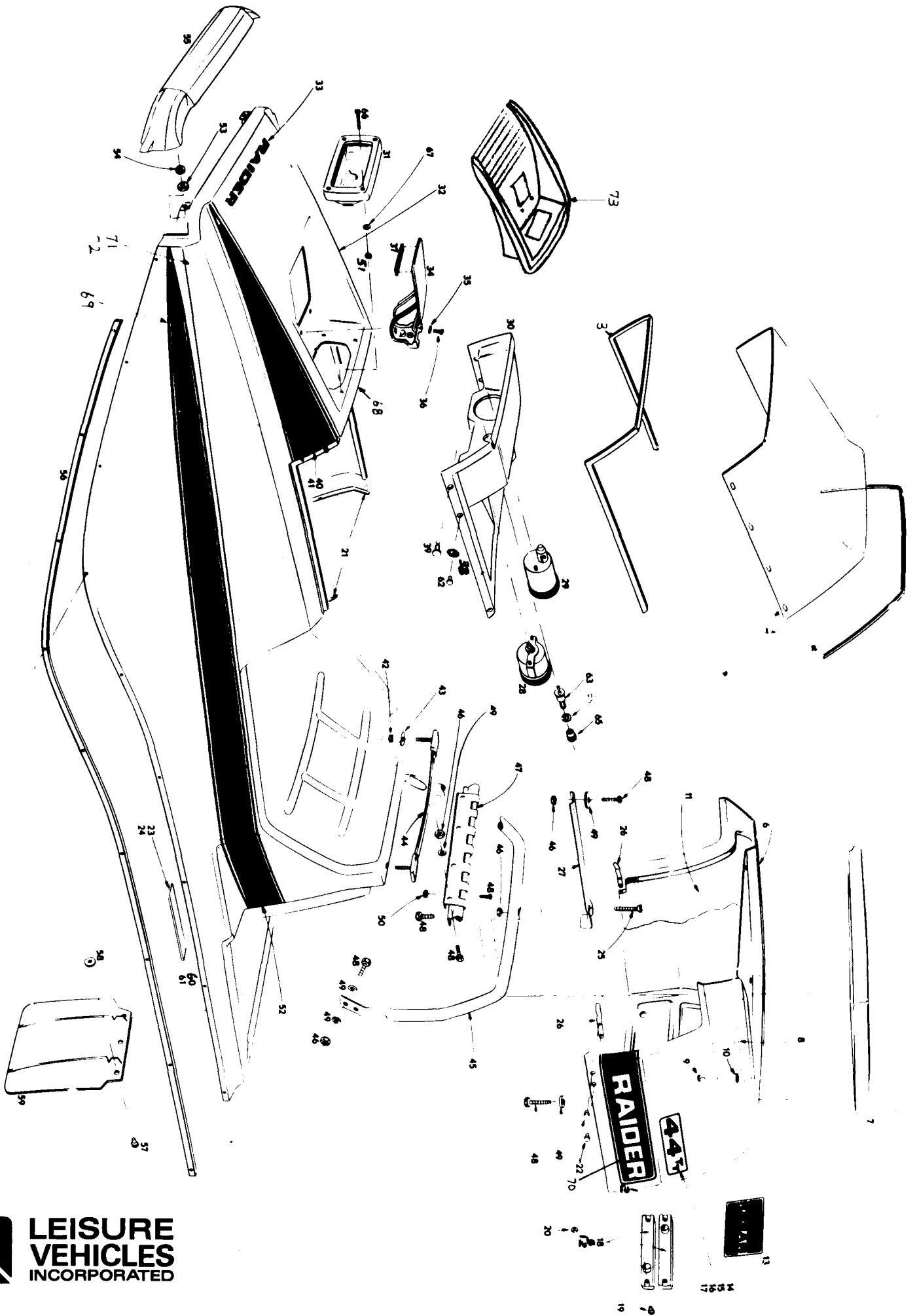


FIG. K

FIGURE "K"

REFERENCE NUMBER	PART NUMBER	DESCRIPTION	VEHICLE QUANTITY
1	1707-R-4012	Side Marker-Rear-L.H.	1
2	1707-R-4011	Side Marker-Rear-R.H.	1
3	1702-R-3006	Molding-Windshield	1
4	1702-R-3004	Windshield Assembly	1
5	1309-R-3002	Socket & Cable Assembly-Tail Lamp	4
6	1704-R-3014	Cover-Engine	1
7	1709-R-3005	Seat Assembly-Auxiliary Rear	1
8	1704-R-3009	Strap-Engine Cover Hold Down	1
9	2518	Rivet	2
10	2381	Flat Washer-No. 10	2
11	1704-R-3021	Sound Deadener-Engine Compartment	2
12	1309-R-3003	Bulb-Tail Lamp	4
13	1707-R-4006	Decal-Rear-Black	1
14	1707-R-3002	Side Marker-L.H.-34TT	1
15	1707-R-3003	Side Marker-R.H.-34TT	1
16	1707-R-3006	Side Marker-L.H.-44TT	1
17	1707-R-3007	Side Marker-R.H.-44TT	1
18	1309-R-3001	Lens-Tail Lamp	4
19	2410A-8-12	Machine Screw-8-32 x .75	8
20	2251A-8	Lock Nut-8-32-W/Ext. Lock Washer	8
21	1707R-3000	Molding-Interior Trim	1
22	2521	Rivet	4
23	1701-R-3007	Insulator-Body to Frame - Rear	1
24	1701-R-3008	Insulator-Body to Frame - Side	2
25	2104A-25-12	Bolt-1/4-20 x 1.50 Phillips	1
26	1704-R-3015	Locator-Engine Cover	2
27	1704-R-3008	Brace-Engine Cover	1
28	1803-R-3006	Speedometer Head	1
29	1804-R-3000	Tachometer	1
30	1701-R-3003	Panel-Instrument	1
31	5130-R-3001	Headlamp Assembly (less bulb)	1
32	1701-R-3002	Shell-Body	1
33	1707-R-3009	Decal-Front	1
34	1706-R-3000	Fuel Door Assembly	1

Bulb 12V Honda

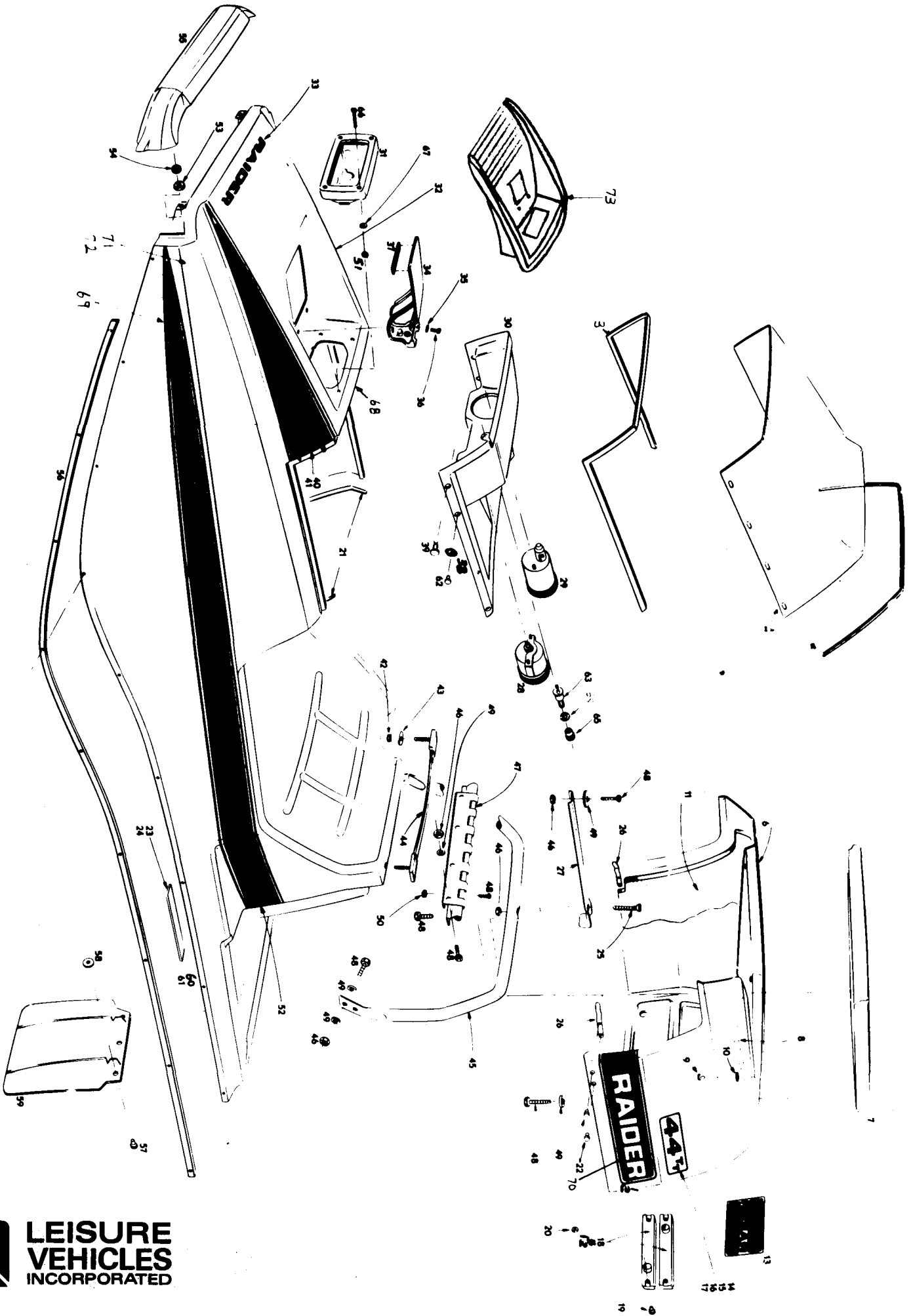


FIG. K

FIGURE "K"
(Con't.)

REFERENCE NUMBER	PART NUMBER	DESCRIPTION	VEHICLE QUANTITY
35	2380	Washer	4
36	2101A-25-6	Bolt-1/4-20 x 3/4	4
37	1706-R-3007	Bumper Pad-Fuel Door	1
38	2305-10	Plain Washer	7
39	1702-R-3007	Clip-Windshield Retaining	14
40	1707-R-3005	Side Marker-Front-R.H.	1
41	1707-R-3004	Side Marker-Front-L.H.	1
42	2257A-10	Nut & Washer Assembly-10-32	2
43	2384	Fender Washer-3/16	2
44	1708-R-3002	Handlegrip-Passenger	1
45	1704-R-3005	Support-Engine Cover	1
46	2203A-25	Lock Nut-1/4-20	10
47	1704-R-3010	Hinge Assembly	1
48	2101A-25-6	Bolt-1/4-20 x .75	11
49	2305A-25	Flat Washer-1/4	18
50	2203A-25	Lock Nut-1/4	10
51	2257A-10	Nut & Washer Assembly-10-32	4
52	1707-R-3001	Side Marker Stripe	2
53	2203A-31	Lock Nut-5/16-18	2
54	2305-31	Flat Washer-3/8	2
55	1703-R-3002	Bumper Assembly-Front	1
56	1702-R-3003	Molding-Body-Side	2
57	2501	Rivet-3/16	6
58	2305-10	Plain Washer-13/64	26
59	1708-R-3003	Snow Guard	2
60	2501	Rivet-3/16	9
61	3007	Rubber Grommet-3/16	9
62	2522	Rivet	7
63	1306-R-3000	Ignition Switch	1
64	1306-R-3002	Nut-Ignition Switch	1
65	1306-R-3009	Nut-Switch Mounting	1

FIGURE "K"
(Con't.)

REFERENCE NUMBER	PART NUMBER	DESCRIPTION	VEHICLE QUANTITY
66	2411D-10-20	Screw-10-32 x 1 1/4	4
67	2305-10	Flat Washer-10	4
68	2257A-10	Nut & Washer Assembly-10-32	4
69	1707-R-4013	Side Decal Pin Stripe	2
70	1707-R-4021	Side Decal Pin Stripe-Rear	2
71	1707-R-4009	Eagle Head Side Decal R.H.	1
72	1707-R-4010	Eagle Head Side Decal L.H.	1
73	1701-R-4008	Hood Applique	2

1974 RAIDER PARTS LIST

DESCRIPTION	PART NUMBER
POWER TRAIN	
Screen-Cooling Fan 400 CCW	1001-R-3004
Carburetor	1003-R-3001
Muffler Clamp Assembly	1004-R-3002
Spring-Ball Joint	1004-R-3005
Muffler Assembly	1004-R-3010
Exhaust Manifold Assembly-440/21 CCW	1004-R-3011
Exhaust Manifold Assembly-400-440/4 CCW	1004-R-3012
Muffler Isolator	1004-R-3019
Muffler Clamp Assembly	1004-R-3020
Assembly-Muffler Support & Bracket	1004-R-3021
Bracket-Engine Mounting	1005-R-3000
Channel-Engine Mounting	1005-R-3002
Clutch-400/4, 440/4 CCW	1007-R-3001
Clutch-440/21 CCW	1007-R-3002
FRAME	
Frame Assembly	1101-R-3000
Footrest Assembly	1101-R-3001
Footman Loops	1101-R-3034
Tie Rod Cover	1101-R-3037
Isolator-Motor Mount	1105-R-3000
SUSPENSION & TRACK	
Slide Frame Subassembly	1201-R-3002
Slide Rail	1201-R-3009
Stop-Bumper Suspension	1201-R-3012
Rebound Stop-Rear-Upper	1201-R-3015
Bogie Wheel	1202-R-3000
Track Assembly	1204-R-3000
Growser Bar	1204-R-3002
Track Guide	1204-R-3003
Spring-Rear Main	1205-R-3000
Spring-Rear Upper	1205-R-3001
Spring-Rear Overload	1205-R-3002
Bushing-Rear Spring	1205-R-3003
Adjuster-Track Assembly	1205-R-3004
Plate-Spring Pressure	1205-R-3007
Shock-Rear	1206-R-3000
Wheel-Track Support-Front	1207-R-3000
Wheel-Track Support-Rear	1207-R-3001

RAIDER 
TWIN
TRACK

1974 RAIDER PARTS LIST

(Con't.)

DESCRIPTION	PART NUMBER
ELECTRICAL SYSTEM	
Rectifier	1304-R-3000
Convertor Coupler-6 Terminal	1304-R-3002
Wiring Harness Assembly	1305-R-3000
Terminal Strip-Ground (6 blade)	1305-R-3001
Terminal Strip-Ground (4 blade)	1305-R-3002
Convertor-5 way multiple	1305-R-3011
Battery Lead	1305-R-3012
Engine Ground	1305-R-3013
Battery Ground	1305-R-3014
Ignition Switch	1306-R-3000
Nut-Ignition Switch	1306-R-3002
Kill Switch-Ignition	1306-R-3008
Nut-Switch Mounting	1306-R-3009
Dimmer Switch	1307-R-3002
Brake Light Switch	1307-R-3004
Bulb-Headlight	1308-R-3001
Tail Lamp (Lens)	1309-R-3001
Socket & Cable Assembly-Tail Lamp	1309-R-3002
Bulb-Tail Lamp (2 CP)	1309-R-3003
Bulb-Tail Lamp (1 CP)	1309-R-3006
Tail Lamp Assembly (Rol. 5)	1309-R-3010
Bulb-Tail Lamp (3 CP)	1309-R-3015
Battery	5130-R-3000
Head Lamp Assembly (Less Bulb)	5130-R-3001
FUEL SYSTEM	
Fuel Tank	1401-R-3004
Outlet Assembly-Fuel Tank	1401-R-3005
Gasket-Outlet	1401-R-3009
Cap Gauge-Fuel	1401-R-3012
Strap-Fuel Tank Hold Down	1401-R-3013
Clip-Fuel Tank Strap	1401-R-3014
Fuel Filter	1401-R-3000
Fuel Line-100' Coil	5140-R-3000

1974 RAIDER PARTS LIST

(Con't.)

DESCRIPTION	PART NUMBER
STEERING SYSTEM	
Handle-Ski	1501-R-3000
Ski Assembly	1501-R-3001
Wear Rod Assembly	1501-R-3006
Bushing-Ski Pivot	1501-R-3009
Grip-Ski	1501-R-3110
Spindle Assembly-Steering	1502-R-3000
Bumper Stop-Spindle	1502-R-3005
Steering Arm Assembly	1503-R-3000
Tie Rod-Steering	1504-R-3000
Rod End-LH Thread-Male	1504-R-3002
Rod End-RH Thread-Male	1504-R-3003
Handle Bar Assembly	1505-R-3000
Hand Grip-Handle Bar	1505-R-3005
Spring-Front Suspension	1506-R-3000
Boot-Steering Spindle	1507-R-3000
Shock-Front	1508-R-3000
Bracket Assembly-Swivel Shock Mount	1508-R-3001
Washer-Shock Mounting-Front	1508-R-3003
Seal-Shock Mounting-Front	1508-R-3005
DRIVE & TRANSMISSION SYSTEM	
Chain Sprocket-18T-400 CCW	1601-R-3001
Chain Sprocket-20T-440 CCW	1601-R-3003
Driven Converter	1601-R-3001
Drive Belt	1603-R-3000
Drive Chain (131) Pitch) 440 CCW	1604-R-3001
Drive Chain (130 Pitch) 400 CCW	1604-R-3002
Drive Axle Assembly	1606-R-3000
Spacer-Chain Case	1607-R-3005
Spring-Chain Tensioner	1607-R-3007
Slipper-Chain Tensioner	1607-R-3008
Chain Case Cover Assembly	1607-R-3009
Shaft-Torque Converter	1607-R-3013
Seal-Chain Case-Outer	1607-R-3014
Seal-Chain Case-Shaft	1607-R-3023
Sprocket-Track Drive	1608-R-3000
Hub Assembly-Track Drive Sprocket	1608-R-3003

RAIDER  **TWIN
TRACK**

1974 RAIDER PARTS LIST

(Con't.)

DESCRIPTION	PART NUMBER
DRIVE & TRANSMISSION SYSTEM	
(Con't.)	
Flange-Track Drive Sprocket	1608-R-3005
Bearing-Converter Shaft	1609-R-3000
Bearing-Drive Axle	1609-R-3001
Collar-Bearing-Drive Axle	1609-R-3002
Seal-Bearing "O" Ring	1609-R-3003
BODY COMPONENTS	
Shell-Body	1701-R-3002
Panel-Instrument	1701-R-3003
Insulator-Body to Frame-Rear	1701-R-3007
Insulator-Body to Frame-Side	1701-R-3008
Molding-Body Side	1702-R-3003
Windshield Assembly	1702-R-3004
Molding-Windshield	1702-R-3006
Clip-Windshield Retaining	1702-R-3007
Bumper Assembly-Front	1703-R-3002
Support-Engine Cover	1704-R-3005
Brace-Engine Cover	1704-R-3008
Strap-Engine Cover Hold Down	1704-R-3009
Hinge Assembly-Engine Cover	1704-R-3010
Cover-Engine	1704-R-3014
Locator-Engine Cover	1704-R-3015
Sound Deadener-Engine Compartment	1704-R-3021
Panel-Valance-LH	1705-R-3003
Panel-Valance-RH	1705-R-3004
Assembly-Fuel Door	1706-R-3000
Bracket-Choke Cable Body Mounting	1706-R-3001
Strap-Battery Hold Down	1706-R-3004
Bumper Pad-Fuel Door	1706-R-3007
Molding-Interior Trim	1707-R-3000
Side Marker Stripe	1707-R-3001
Side Marker-LH-34TT	1707-R-3002
Side Marker-RH-34TT	1707-R-3003
Side Marker-LH-Front	1707-R-3004

1974 RAIDER PARTS LIST

(Con't)

DESCRIPTION	PART NUMBER
INSTRUMENTS & CONTROLS	
(Con't.)	
Key-Speedometer-Square	1803-R-3003
Adaptor-Speedometer Drive	1803-R-3005
Speedometer Head	1803-R-3006
Tachometer	1804-R-3000
Brake Control Cable Assembly	1805-R-3000
Brake Assembly	1805-R-3004
Bracket-Brake Cable Mounting	1805-R-3008
Brake Puck-Inner	1805-R-3010
Brake Puck-Outer	1805-R-3011
Valve-Gas Tank Reserve	1806-R-3003
Knob-Valve-Gas Tank Reserve	1806-R-3005