

MP860 -UN-01JAN94



LIQUIDATOR SNOWMOBILE

1976 MODEL (SERIAL NO. 55,001-70,000)

(SPECIFICATIONS AND DESIGN SUBJECT TO CHANGE WITHOUT NOTICE.)

SERIAL NUMBER PLATE

AN INDIVIDUAL SERIAL NUMBER IS ASSIGNED TO EACH MACHINE. WHEN WRITING ABOUT OR FILLING OUT WARRANTY CLAIMS, USE ALL THE CHARACTERS SHOWN ON THE SERIAL NUMBER PLATE.

EXAMPLE: J34SE 055001M

J - FAMILY OF MACHINE (SNOWMOBILE)
34S - MODEL OR MACHINE DESIGNATION
E - MODEL YEAR (E-1976, F-1977)
SPACE - (FOR COMPUTER PURPOSES)
055001 - SERIAL NUMBER
M - FACTORY DESIGNATION (HORICON WORKS)

SERIAL NUMBER LISTING INFORMATION

SERIAL NUMBER INFORMATION IS LISTED TO SHOW ON WHICH MACHINES EACH PART CAN BE USED; FOR EXAMPLE:

- THE PART CAN BE USED ON ALL MACHINES.
000000- THE PART CAN BE USED ON ALL MACHINES BEGINNING WITH THE SERIAL NUMBER LISTED.
000000 THE PART CAN BE USED ON ALL MACHINES UP TO AND INCLUDING SERIAL NUMBER LISTED.
000000-000000 THE PART CAN BE USED ON ALL MACHINES BETWEEN AND INCLUDING THE SERIAL NUMBERS LISTED.

WHEN XXXXXX'S ARE LISTED IN PLACE OF A SERIAL NUMBER, A SERIAL NUMBER CHANGE WAS MADE BUT THE EXACT SERIAL NUMBER WAS NOT AVAILABLE WHEN THE CATALOG WAS PRODUCED.

DIRECTION ARROW

ARROWS ARE USED WITH ILLUSTRATIONS TO INDICATE THE FRONT OF THE UNIT. "RIGHT-HAND" AND "LEFT-HAND" SIDES ARE DETERMINED BY FACING IN THE DIRECTION OF MACHINE FORWARD TRAVEL.

BOLT AND CAP SCREW STRENGTH IDENTIFICATION

BOLTS AND CAP SCREWS REQUIRED TO HAVE HIGH STRENGTH QUALITIES EQUIVALENT TO SAE GRADE 8 ARE IDENTIFIED THROUGHOUT THIS CATALOG BY THE DESCRIPTION HS SAE 8. ALL STANDARD BOLTS AND CAP SCREWS ARE SAE GRADE 5 OR LOWER.

COMPLETE GOODS LISTINGS

COMPLETE GOODS ARE LISTED IN BOLD FACE TYPE. ORDER SEPARATELY. DO NOT INCLUDE ON REPLACEMENT PARTS ORDER.

SI UNITS OF MEASURE

METRIC DIMENSIONS ARE GIVEN, WHERE APPLICABLE, THROUGHOUT THIS PARTS CATALOG.

CHANGE INDICATOR LINE

CHANGES AFFECTING THE ORDERING OF PARTS ARE IDENTIFIED BY VERTICAL LINES MARKED IN THE LEFT-HAND MARGIN OF REVISED PARTS LISTING IMAGES. A LINE IS ALSO AT THE LEFT-HAND EDGE OF THE SAME PART NUMBER IN THE NUMERICAL INDEX TO SHOW THE LOCATION OF REVISED INFORMATION.

ALPHABETICAL INDEX

GRID		PAGE	GRID		PAGE
A					
F7	AIR DUCT KIT	8	G15	FLYWHEEL	41
G22	ARMS, SWING, SLIDE SUSPENSION	48	F7	FOAM KIT	8
B					
F7	BAFFLE, HOOD	8	F17	FRAME, FRONT	18
G11	BASE, ENGINE	37	F20	FUEL GAUGE	21
G16	BELT COVER	42	F22	FUEL LINES AND PUMP	23
F17	BELT GUARD	18	F20	FUEL TANK, FRONT	21
F25	BELT, DRIVE	26	F21	FUEL TANK, REAR	22
G14	BELT, ENGINE	40	G		
F9	BRAKE CONTROL	10	F20	GAUGE, FUEL	21
F11	BRAKE, DISK	12	G20	GAUGE, TEMPERATURE	46
F11	BRAKE, HEAVY DUTY, KIT	12	F13	GRIP, TWIST	14
F12	BRAKE, HYDRAULIC, KIT	13	G2	GROUSER BAR MOLDED, TRACK KIT	28
F7	BULBS, HEADLIGHT	8	F17	GUARD, BELT	18
F5	BUMPER, FRONT	6	H		
F4	BUMPER, REAR	5	F9	HANDLEBAR	10
C					
F9	CABLE, BRAKE	10	G20	HEAD, CYLINDER	46
F10	CABLE, CHOKE	11	F7	HEADLIGHT	8
F9	CABLE, THROTTLE	10	G7	HEADLIGHT SWITCH	33
G4	CARBIDE WEAR ROD KIT (OVAL TRACK RACING)	30	F14	HEATER, HANDLEBAR, KIT	15
G21	CARBURETOR	47	F6	HOOD	7
F23	CHAIN	24	F7	HOOD BAFFLE	8
F23	CHAIN CASE	24	F18	HOSE, INLET AND OUTLET, RADIATOR	19
G4	CLAW KIT	30	I		
F8	CONSOLE PANELS	9	G6	IDLER WHEEL KIT	32
G16	COVER, BELT	42	G25	IDLER WHEEL KIT	51
G10	COVER, SNOWMOBILE	36	G3	IDLER, REAR	29
G18	CRANKCASE ASSEMBLY	44	G7	IGNITION SWITCH	33
G13	CRANKSHAFT	39	F8	INSTRUMENT PANEL	9
G19	CYLINDER ASSEMBLY	45	F19	INTAKE SILENCER	20
G20	CYLINDER HEAD	46	K		
D					
G7	DIMMER AND BRAKE LIGHT SWITCH	33	F7	KIT, AIR DUCT	8
F11	DISK BRAKE	12	F11	KIT, BRAKE, HEAVY DUTY	12
F25	DRIVE BELT	26	G24	KIT, CARBIDE WEAR ROD (C.C. RACING)	50
G1	DRIVE SHAFT	27	G4	KIT, CLAW	30
F25	DRIVE SHEAVE	26	F14	KIT, HEATER, HANDLEBAR	15
F23	DRIVE SPROCKET	24	F12	KIT, HYDRAULIC BRAKE	13
G1	DRIVE WHEELS	27	G3	KIT, ICE STUDS	29
G1	DRIVE, SPEEDOMETER	27	G6	KIT, IDLER WHEEL	32
F25	DRIVEN SHEAVE	26	G25	KIT, IDLER WHEEL	51
F23	DRIVEN SPROCKET	24	F10	KIT, REMOTE CHOKE CABLE	11
E					
G15	ELECTRONIC PACK	41	G24	KIT, TOE HOLD	50
G7	EMERGENCY STOP SWITCH	33	G2	KIT, TRACK, GROUSER BAR, MOLDED	28
G11	ENGINE BASE	37	F13	KIT, TWIST GRIP	14
G14	ENGINE BELT	40	G24	KIT, UPDATE	50
G19	EXHAUST MANIFOLDS	45	L		
G12	EXHAUST SILENCER	38	G14	LIQUID PUMP	40

ALPHABETICAL INDEX - CONTINUED

GRID		PAGE	GRID		PAGE
	M		G7	SWITCH, IGNITION	33
G19	MANIFOLDS, EXHAUST	45	F8	SWITCH, TETHER	9
G12	MUFFLER	38		T	
	O		G9	TACHOMETER	35
G10	OIL, TWO-CYCLE	36	G8	TAILLIGHT	34
	P		F20	TANK, FUEL, FRONT	21
F8	PANELS, CONSOLE	9	F21	TANK, FUEL, REAR	22
F8	PANELS, INSTRUMENT	9	G20	TEMPERATURE GAUGE	46
G13	PISTON	39	F8	TETHER SWITCH	9
G13	PISTON RINGS	39	F9	THROTTLE CONTROL	10
G15	PLUG, SPARK	41	F15	TIE RODS	16
F22	PUMP, FUEL	23	G24	TOE HOLD KIT	50
G14	PUMP, LIQUID	40	F17	TOOL POUCH	18
	R		G3	TRACK, GROUSER BAR	29
F18	RADIATOR	19	G2	TRACK, MOLDED GROUSER BAR, KIT	28
G3	REAR IDLER	29	F4	TUNNEL	5
G17	RECOIL STARTER	43	F5	TUNNEL WEAR BAR	6
F10	REMOTE CHOKE CABLE KIT	11	G10	TWO-CYCLE OIL	36
G13	RINGS, PISTON	39		U	
G24	ROD, CARBIDE WEAR, KIT (C.C. RACING)	50	G24	UPDATE KIT	50
	S			V	
F5	SEAT	6	G7	VOLTAGE REGULATOR	33
F24	SECONDARY SHAFT	25		W	
G1	SHAFT, DRIVE	27	F5	WEAR BAR, TUNNEL	6
F24	SHAFT, SECONDARY	25	F16	WEAR RODS	17
F25	SHEAVE, DRIVE AND DRIVEN	26	G1	WHEELS, DRIVE	27
F16	SHOCK ABSORBER, SKI	17	F6	WINDSHIELD	7
G5	SHOCK ABSORBER, SLIDE RAIL	31	G7	WIRING HARNESS, MAIN	33
G12	SILENCER, EXHAUST	38	G8	WIRING HARNESS, TAILLIGHT	34
F19	SILENCER, INTAKE	20			
F16	SKI ASSEMBLY	17			
F16	SKI SHOCK ABSORBER	17			
G25	SKI SPRING, MONOLEAF	51			
G5	SLIDE RAIL PIVOTS	31			
G5	SLIDE RAIL SPRINGS	31			
G3	SLIDE RAILS	29			
G23	SLIDE RAILS, SLIDE SUSPENSION	49			
G23	SLIDE SUSPENSION SLIDE RAILS	49			
G22	SLIDE SUSPENSION SWING ARMS	48			
F4	SNOWFLAP	5			
G10	SNOWMOBILE COVER	36			
G15	SPARK PLUG	41			
G9	SPEEDOMETER	35			
F16	SPINDLE	17			
G25	SPRING, SKI, MONOLEAF	51			
G5	SPRINGS, SLIDE RAIL	31			
F23	SPROCKET, DRIVE AND DRIVEN	24			
G17	STARTER, RECOIL	43			
G15	STATOR	41			
F15	STEERING ARMS	16			
F8	STEERING SUPPORT	9			
F8	SUPPORT, STEERING	9			
G22	SWING ARMS, SLIDE SUSPENSION	48			
G7	SWITCH, HEADLIGHT	33			

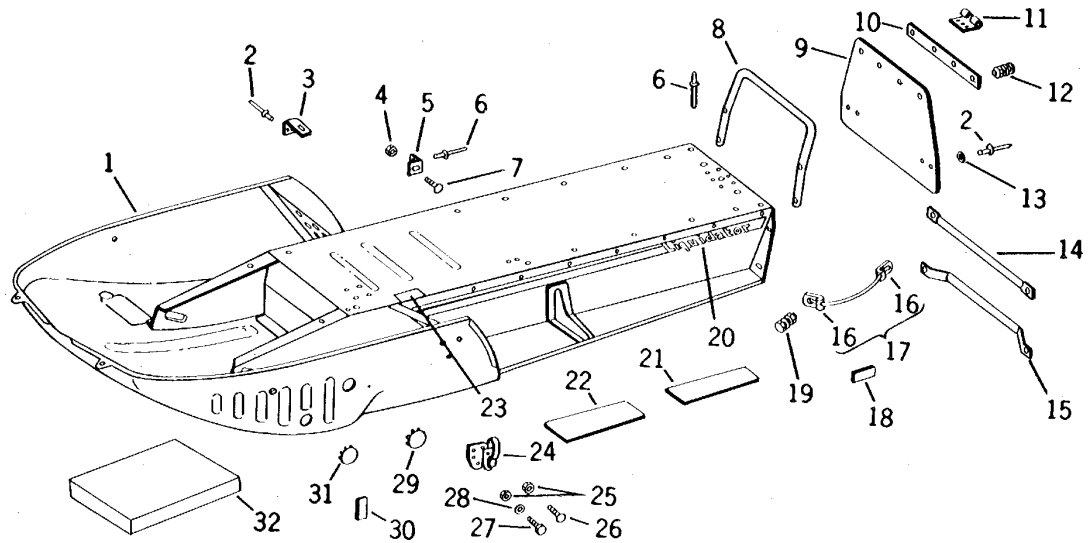
MEMORANDA

F4

SNOWMOBILE - LIQUIDATOR

M23216F -UN-01JAN94

TUNNEL, SNOWFLAP AND REAR BUMPER



M23216F

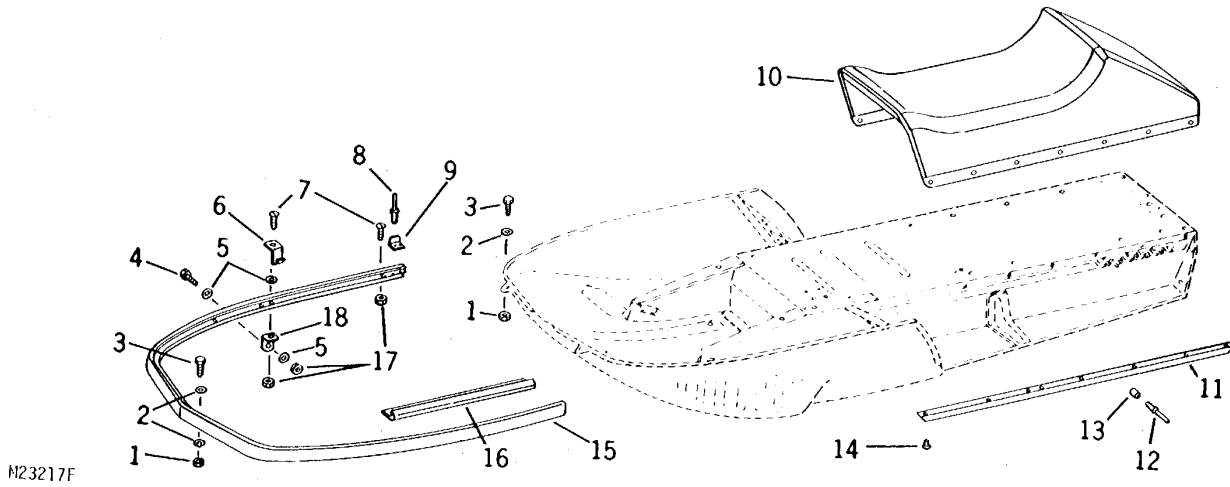
KEY	PART NO.	PART NAME	QTY	SERIAL NO.	REMARKS
1	AM54021	FRAME	1		
2	M64720	RIVET	4		
3	M66317	BRACKET	2		OUTER
4	M63277	LOCK NUT	2		
5	M66316	BRACKET	2		INNER
6	M63200	RIVET	6		
7	03H1268	BOLT	2		5/16" X 3/4"
8	M66408	BUMPER	1		
9	M66218	FLAP	1		
10	M63876	STRAP	1		
11	M63059	HINGE	1		
12	21H1148	SCREW	4		0.190" X 3/4"
	24H1283	WASHER	4		7/32" X 1/2" X 0.049"
	12H246	LOCK WASHER	4		0.190"
	14H778	NUT	4		0.190"
13	24H1283	WASHER	2		7/32" X 1/2" X 0.049"
14	M66757	SUPPORT	1	-XXXXX	(SUB M66759)
15	M66848	SUPPORT	1	XXXXX-	
16	M66634	CLIP	4		
17	AM54103	CABLE	2		
18	M63348	REFLECTOR	2		RED
19	19H1791	CAP SCREW	4		1/4" X 1-1/4"
	24H1287	WASHER	8		9/32" X 5/8" X 0.065"
	M63707	LOCK NUT	4		
20	M66529	DECAL	1		L.H.
	M66528	DECAL	1		R.H.
21	AM52297	KIT	1		FOOTTREADS (REAR)
22	AM54081	KIT	1		FOOTTREADS (FRONT)
23	M63861	TAPE	1		(SUB FOR M63661)
24	AM53815	LATCH	1		L.H.
	AM53814	LATCH	1		(SUB AM54202) R.H.
25	M63707	LOCK NUT	6		
26	03H1778	BOLT	2		1/4" X 5/8"
27	19H1948	CAP SCREW	4		1/4" X 3/4"
28	24H1287	WASHER	4		9/32" X 5/8" X 0.065"
29	M66483	PUSH BUTTON	1		(SUB M66510) (49.21 MM) 1-15/16"
30	M63705	REFLECTOR	2		
31	M66606	PUSH BUTTON	5		(SUB M66508) (36.51 MM) 1-7/16"
32	AM54164	KIT	1		(INCLUDES PAN AND HOOD FOAM) FOAM

F5

SNOWMOBILE - LIQUIDATOR

SEAT AND FRONT BUMPER

M23217F -UN-01JAN94



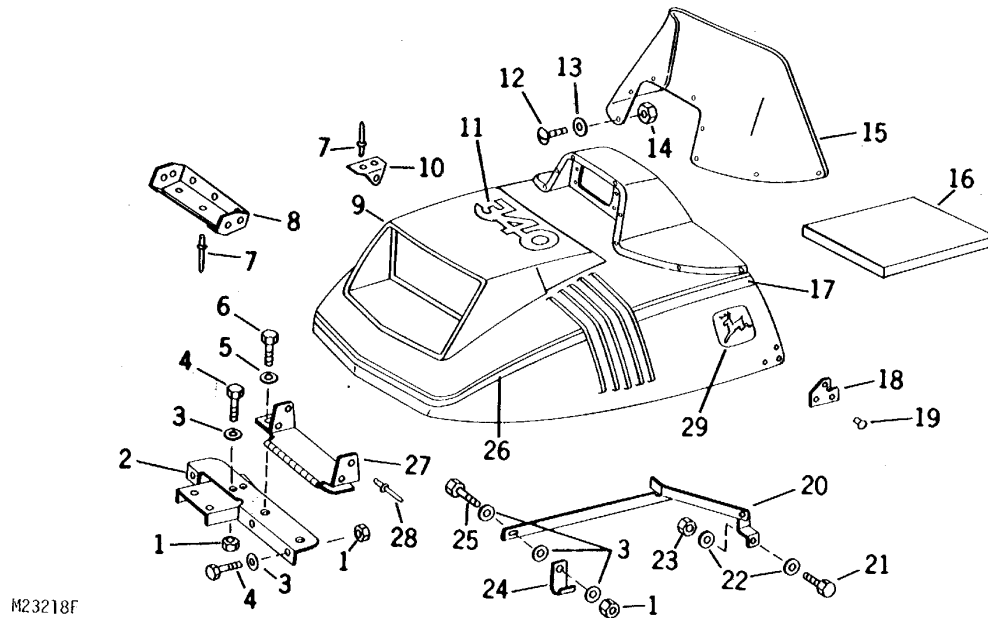
KEY	PART NO.	PART NAME	QTY	SERIAL NO.	REMARKS
1	M63707	LOCK NUT	4		
2	24H1287	WASHER	6	9/32" X 5/8" X 0.065"	
3	19H1948	CAP SCREW	4	1/4" X 3/4"	
4	19H2127	CAP SCREW	1	5/16" X 7/8"	
5	24H1136	WASHER	6	11/32" X 11/16" X 0.065"	
6	N10010	CLIP	1		
7	M66314	SCREW	4		
8	M63200	RIVET	4		
9	M66197	GUIDE	2		
10	AM54056	SEAT	1	(SUB AM54629)	
11	M66249	BAR	2		
12	M65980	RIVET	14		
13	M65865	STUD	14		
14	M65672	RIVET	10		
15	M66631	BUMPER	1	(SUB M66108)	
16	M66140	INSULATOR	2		
17	M63277	LOCK NUT	5		
18	M66078	BRACKET	1		

F6

SNOWMOBILE - LIQUIDATOR

M23218F -UN-01JAN94

WINDSHIELD AND HOOD



M23218F

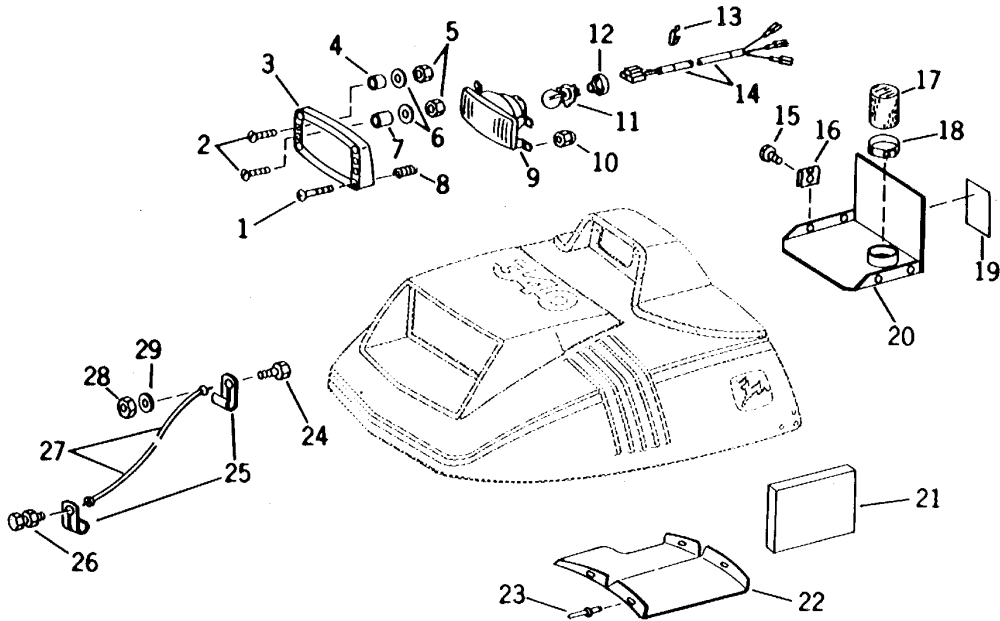
KEY	PART NO.	PART NAME	QTY	SERIAL NO.	REMARKS
1	M63707	LOCK NUT	6		
2	AM53819	BRACKET	1		
3	24H1287	WASHER	8		9/32" X 5/8" X 0.065"
4	19H1948	CAP SCREW	5		1/4" X 3/4"
5	24H1887	WASHER	2		11/32" X 1" X 0.134"
6	19H1900	CAP SCREW	2		5/16" X 3/4"
	12H291	LOCK WASHER	2		5/16"
7	M64720	RIVET	14		
8	AM54327	BRACKET	1		
9	AM54325	HOOD	1		(SUB FOR AM54038) (INCLUDES AM53832, DECALS AND FOAM)
10	M66982	BRACKET	1		
11	M66417	DECAL	1		
12	M66263	SCREW	10		
13	M66264	WASHER	10		
14	M63177	NUT	10		
15	AM54082	WINDSHIELD	1		
	AM54407	WINDSHIELD	1		HIGH PROFILE (SUB AM53881)
16	M66144		2		
17	M66402	DECAL	1		R.H.
	M66403	DECAL	1		L.H.
18	M66150	BRACKET	1		R.H.
	M66151	BRACKET	1		L.H.
19	M64468	RIVET	6		
20	AM53946	SUPPORT	1		(SUB M66774)
21	19H2127	CAP SCREW	1		5/16" X 7/8"
22	24H1136	WASHER	2		11/32" X 11/16" X 0.065"
23	M63277	LOCK NUT	1		
24	N10010	CLIP	1		
25	19H1791	CAP SCREW	1		1/4" X 1-1/4"
26	M66404	DECAL	1		R.H.
	M66405	DECAL	1		L.H.
27	AM53832	HINGE	1		
28	M63389	RIVET	4		
29	M66530	DECAL	1		R.H.
	M66531	DECAL	1		L.H.

F7

SNOWMOBILE - LIQUIDATOR

HOOD Baffle AND HEADLIGHT ASSEMBLY

M23219F -UN-01JAN94



M23219F

KEY	PART NO.	PART NAME	QTY	SERIAL NO.	REMARKS
1	M66234	SCREW	4		
2	21H997	SCREW	4		0.190" X 1-1/2"
3	M66143	BEZEL	1		
4	M66256	BUSHING	2		
5	M65420	NUT	4		
6	24H1283	WASHER	4		7/32" X 1/2" X 0.049"
7	M66257	BUSHING	2		
8	M66142	SPRING	4		
9	AM53890	LAMP	1		
10	M66235	NUT	4		
11	AM53887	BULB	1		(STANDARD)
	AM53888	BULB	1		(OPTIONAL)
12	AM53889	RETAINER	1		
13	H64612	CLIP	2		
14	AM53923	WIRING HARNESS	1		
15	M63450	SCREW	4		(A) (3 USED IN AM54189)
16	M63356	NUT	4		(A) (3 USED IN AM54189)
17	M66668	FILTER	1		
18	AR21842	CLAMP	1		(SUB FOR M66650)
19	M65584	LABEL	1		
20	AM54155	AIR DUCT	1		
21	AM54164	KIT	1		FOAM (INCLUDES HOOD AND PAN FOAM)
22	M66375		1		
23	M65674	RIVET	4		
24	19H3358	CAP SCREW	1		0.190" X 1"
25	M66634	CLIP	2		
26	19H1919	CAP SCREW	1		1/4" X 5/8"
	M63707	LOCK NUT	1		
27	M66633	CABLE	1		
28	M63662	LOCK NUT	1		
29	24H1283	WASHER	2		7/32" X 1/2" X 0.049"
..	M66765	FLAP	1		(A)
..	M66766	COVER	1		(A)
..	M66767		1		(A)
..	M64720	RIVET	2		(A)
..	AM54189	KIT	1		AIR DUCT (INCLUDES PARTS MARKED WITH AN (A)) (NOT AVAILABLE)

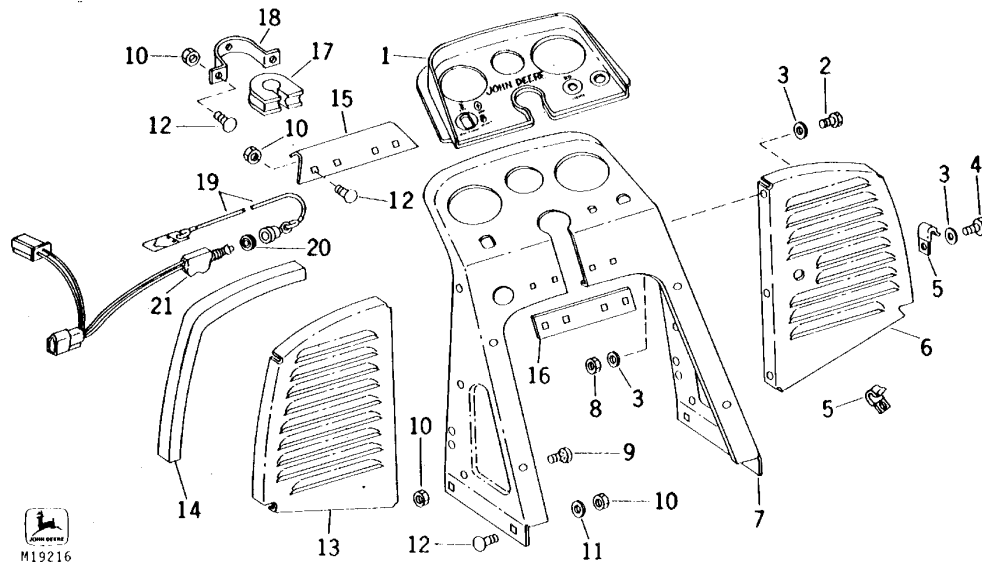
F8

SNOWMOBILE - LIQUIDATOR

M19216

-UN-01JAN94

STEERING SUPPORT, CONSOLE PANELS AND INSTRUMENT PANEL



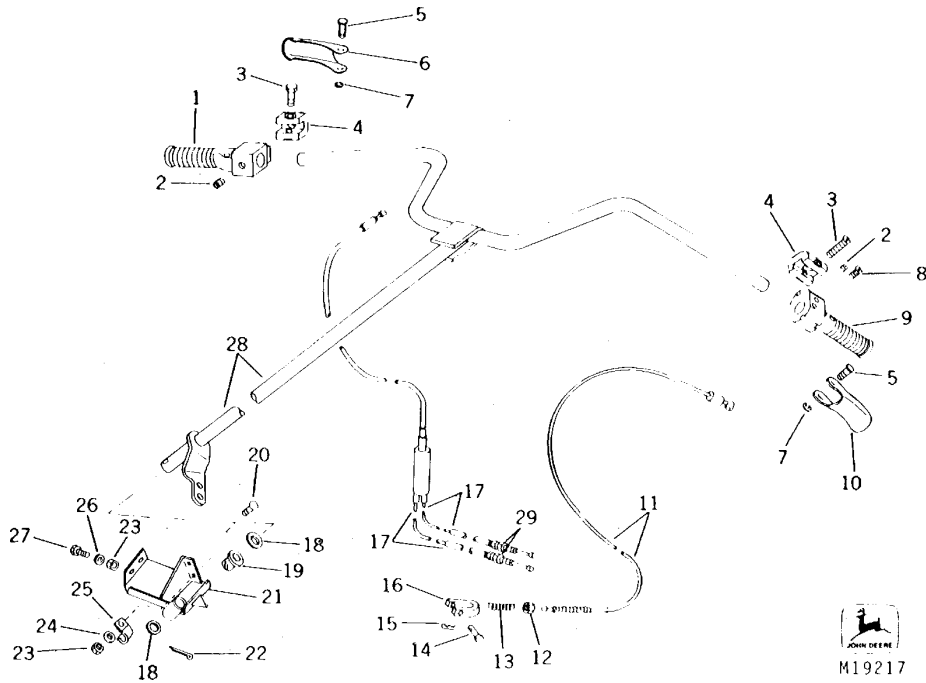
KEY	PART NO.	PART NAME	QTY	SERIAL NO.	REMARKS
1	M66415	PANEL	1		
2	19H1948	CAP SCREW	1	1/4" X 3/4"	
3	24H1287	WASHER	25	9/32" X 5/8" X 0.065"	
4	19H1919	CAP SCREW	13	1/4" X 5/8"	
5	N10010	CLIP	2		
6	AM53919	PANEL	1		
7	AM54069	SUPPORT	1		
8	M63707	LOCK NUT	14		
9	03H1268	BOLT	2	5/16" X 3/4"	
10	M63277	LOCK NUT	10		
11	24H1136	WASHER	2	11/32" X 11/16" X 0.065"	
12	03H1539	BOLT	8	5/16" X 5/8"	
13	M66131	PANEL	1		
14	M66269	STRIP	2		
15	M66186	BRACKET	1		
16	M66079	STRAP	1		
17	M63110	BEARING	1		
18	M66080	STRAP	1		
19	AM54113	CABLE	1		
20	M66607	NUT	1		
21	AM54063	SWITCH	1	TETHER	

F9

SNOWMOBILE - LIQUIDATOR

HANDLEBAR, BRAKE AND THROTTLE CONTROL

M19217 -UN-01JAN94



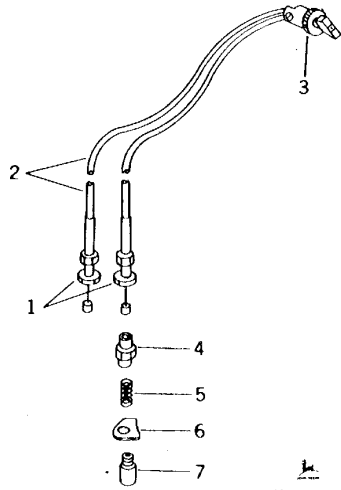
KEY	PART NO.	PART NAME	QTY	SERIAL NO.	REMARKS
1	AM53582	GRIP	1		(SUB AM54211) THROTTLE
2	M66451	SET SCREW	2		
3	M63905	SCREW	4		
4	M63807	CAP	2		
5	M63147	PIN	2		(SUB M68477)
6	M65279	LEVER	1		THROTTLE
7	R30828	SNAP RING	2		
8	M63906	SCREW	1		
9	AM53367	GRIP	1		BRAKE
10	M63806	LEVER	1		BRAKE
11	AM53958	CABLE	1		BRAKE
12	14H882	NUT	2		5/16"
13	M63655	SPRING	1		
14	R11027	PIN	1		
15	11H266	COTTER PIN	1		1/16" X 1/2"
16	M64575	CLEVIS	1		
17	AM54136	CONTROL	1		THROTTLE
18	24H1844	WASHER	3		1-1/32" X 1-3/8" X 0.060"
19	N132422	BUSHING	1		
20	03H1539	BOLT	2		5/16" X 5/8"
21	AM53873	SUPPORT	1		(SUB AM54204)
22	11H218	COTTER PIN	1		3/16" X 1-1/2"
23	M63277	LOCK NUT	4		
24	24H1136	WASHER	2		11/32" X 11/16" X 0.065"
25	N10010	CLIP	1		
26	24H1887	WASHER	2		11/32" X 1" X 0.134"
27	19H1905	CAP SCREW	1		5/16" X 1"
28	AM54406	HANDLE	1		
29	M65319	NUT	2		

F10

SNOWMOBILE - LIQUIDATOR

M19218 -UN-01JAN94

REMOTE CHOKE CABLE KIT



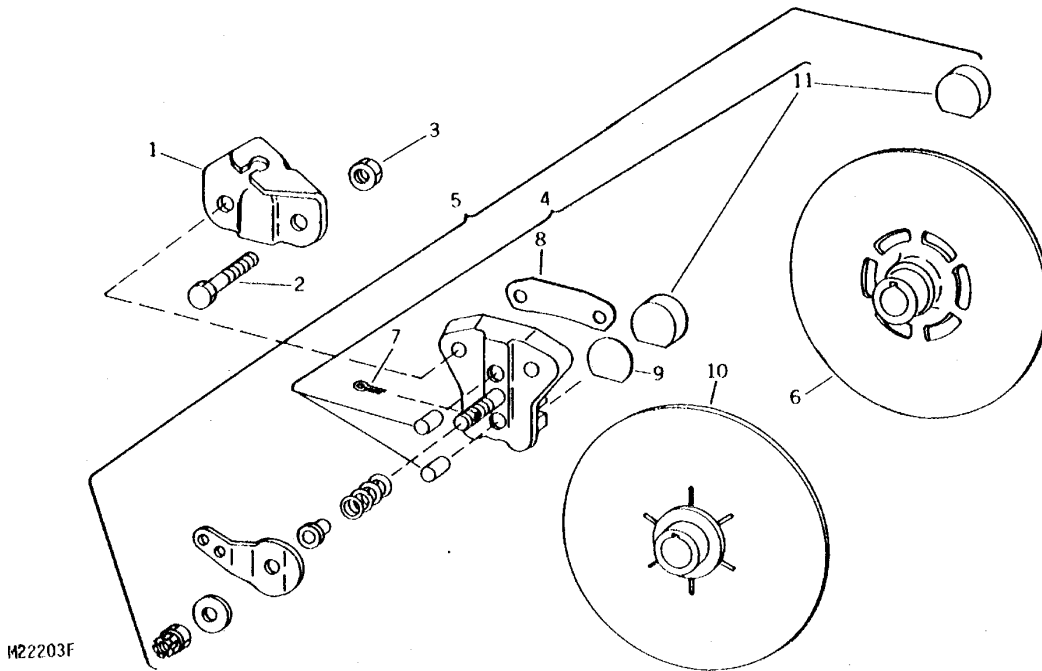
KEY	PART NO.	PART NAME	QTY	SERIAL NO.	REMARKS
1	M65319	NUT	2		
2	AM53810	CABLE	1		
3	M66117	NUT	1		
4	M65330	CAP	2		
5	M65328	SPRING	2		
6	M65329	WASHER	2		
7	M65327	VALVE	2		
..	AM54156	KIT	1		REMOTE CHOKE CABLE

F11

SNOWMOBILE - LIQUIDATOR

DISK BRAKE ASSEMBLY

M22203F -UN-01JAN94



KEY	PART NO.	PART NAME	QTY	SERIAL NO.	REMARKS
1	AM54134	BRACKET	1		
2	19H1801	CAP SCREW	2	3/8" X 2"	
3	M63440	LOCK NUT	2		
4	AM53943	KIT	1		BRAKE REPAIR
5	AM53850	BRAKE	1		
6	AM53822	BRAKE DISK	1		
7	11H234	COTTER PIN	1	3/32" X 1"	
8	M66764	SPACER	1	(A)	
9	M66761	PLATE	1	(A)	
10	AM54181	BRAKE DISK	1	(A)	
11	M66132		1		
..	AM54182	KIT	1		DISK BRAKE (HEAVY DUTY) (INCLUDES PARTS MARKED WITH AN (A))

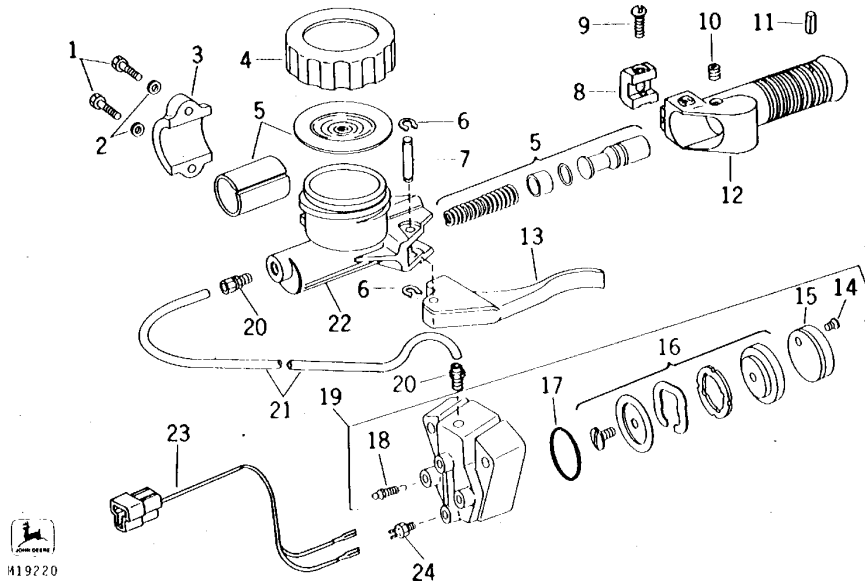
F12

SNOWMOBILE - LIQUIDATOR

M19220

-UN-01JAN94

HYDRAULIC BRAKE KIT



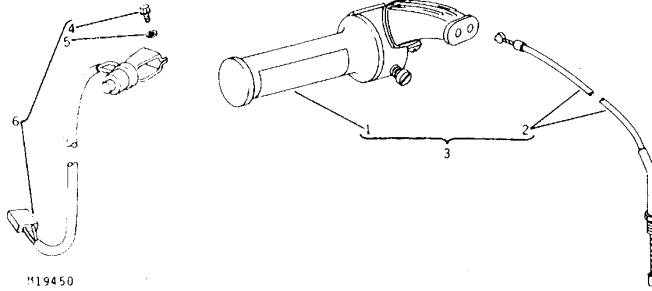
KEY	PART NO.	PART NAME	QTY	SERIAL NO.	REMARKS
1	19H1914	CAP SCREW	2	1/4" X 1"	
2	24H1286	WASHER	2	9/32" X 1/2" X 1/16"	
3	M65933	CLAMP	1		
4	M65931	COVER	1		
5	AM53660	KIT	1	(INCLUDES M65934) HYDRAULIC BRAKE REPAIR	
6	M65934	SNAP RING	2		
7	M65930	PIN	1		
8	M63807	CAP	1		
9	M63905	SCREW	1		
10	22H842	SET SCREW	1	1/4" X 5/16"	
11	34H268	SPRING PIN	1	5/32" X 1-1/4"	
12	AM53586	GRIP	1		
13	M65929	LEVER	1		
14	21H1191	SCREW	1	0.190" X 3/8"	
15	M66691	LINING	1		
16	AM53661	PISTON	1		
17	M65936	O-RING	1		
18	M65935	BLEED SCREW	1		
19	AM53886	BRAKE	1		
20	AM53641	FITTING	2		
21	M65866	HYDRAULIC HOSE	1	(CUT TO LENGTH)	
22	M65928	HOUSING	1		
23	AM54159	WIRING LEAD	1		
24	AM53499	SWITCH	1	STOP LIGHT	
..	AM53497	HANDLEBAR	1		
..	AM54158	KIT	1	HYDRAULIC BRAKE	

F13

SNOWMOBILE - LIQUIDATOR

TWIST-GRIP KIT

M19450 -UN-01JAN94



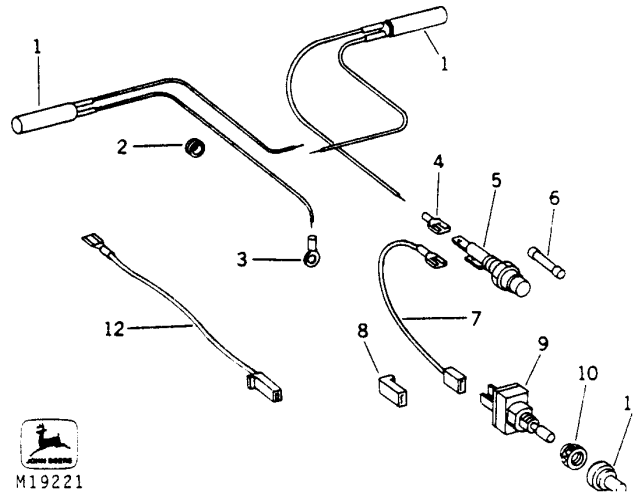
KEY	PART NO.	PART NAME	QTY	SERIAL NO.	REMARKS
1	AM53745	GRIP	1		
2	AM53746	CABLE	2		
3	AM53849	KIT	1		TWIST GRIP
4	21H1127	SCREW	1		0.190" X 7/16"
5	M63722	NUT	1		(INCLUDES 21H1127)
6	AM52663	KIT	1		EMERGENCY STOP

F14

SNOWMOBILE - LIQUIDATOR

M19221 -UN-02JAN94

HANDLEBAR HEATER KIT



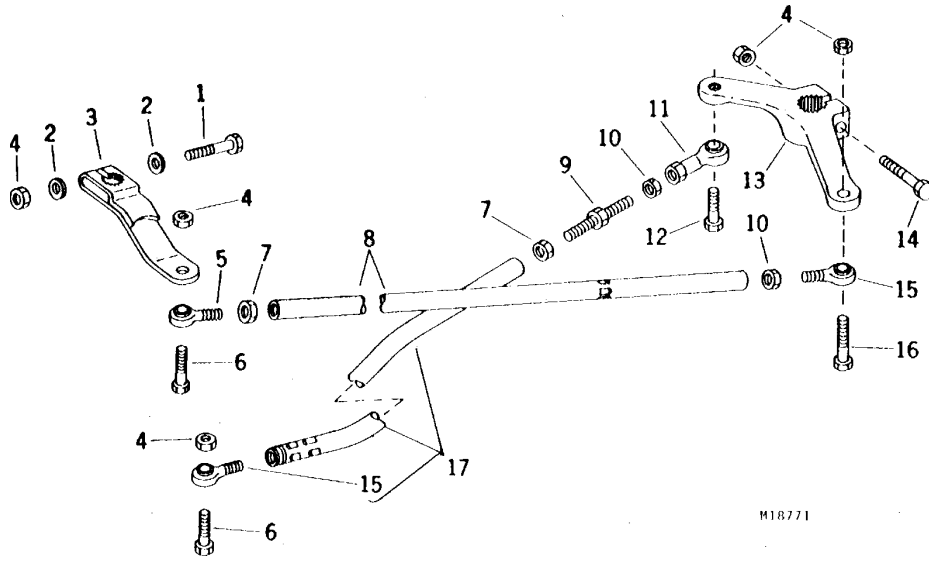
KEY	PART NO.	PART NAME	QTY	SERIAL NO.	REMARKS
1	AM53760	HEATER	1		HEATER ELEMENT (INCLUDES (2) HEATER ELEMENTS, INSULATION AND (1) M43459)
2	M43459	GROMMET	1		
3	R32019	TERMINAL	1		
4	M49835	LUBRICATION FITTING	1		
5	AM53766	FUSE HOLDER	1		
6	AM53767	FUSE	1		
7	AM53761	WIRING LEAD	1		
8	M43835	FLAT CONNECTOR	1		
9	AM52054	SWITCH	1		
10	M63296	NUT	1		
11	M63297	BOOT	1		
12	AM54135	WIRING LEAD	1		
..	AM54152	KIT	1		HANDLEBAR HEATER (INCLUDES PARTS LISTED ABOVE)

F15

SNOWMOBILE - LIQUIDATOR

M18771 -UN-01JAN94

TIE RODS AND STEERING ARMS



M18771

KEY	PART NO.	PART NAME	QTY	SERIAL NO.	REMARKS
1	19H1801	CAP SCREW	1	3/8" X 2"	
2	24H1682	WASHER	2	13/32" X 7/8" X 0.120"	
3	M66485	ARM	1	(SUB M66195) L.H.	
4	M63440	LOCK NUT	5		
5	AM53381	TIE ROD END	1	L.H.	
6	19H1800	CAP SCREW	2	3/8" X 1-1/2"	
7	14H913	NUT	2	3/8"	
8	M66987	TIE ROD	1	(SUB FOR M66189) (FRONT)	
9	M65835	ADJUSTER	1		
10	14H774	NUT	2	3/8"	
11	AM53870	BEARING	1		
12	19H1732	CAP SCREW	1	3/8" X 1-1/4"	
13	M66194	ARM	1	R.H.	
14	19H1726	CAP SCREW	1	3/8" X 2-1/4"	
15	AM53380	TIE ROD END	1	R.H.	
16	19H1765	CAP SCREW	1	3/8" X 1-3/4"	
17	AM53869	TIE ROD	1	INCLUDES BEARING	

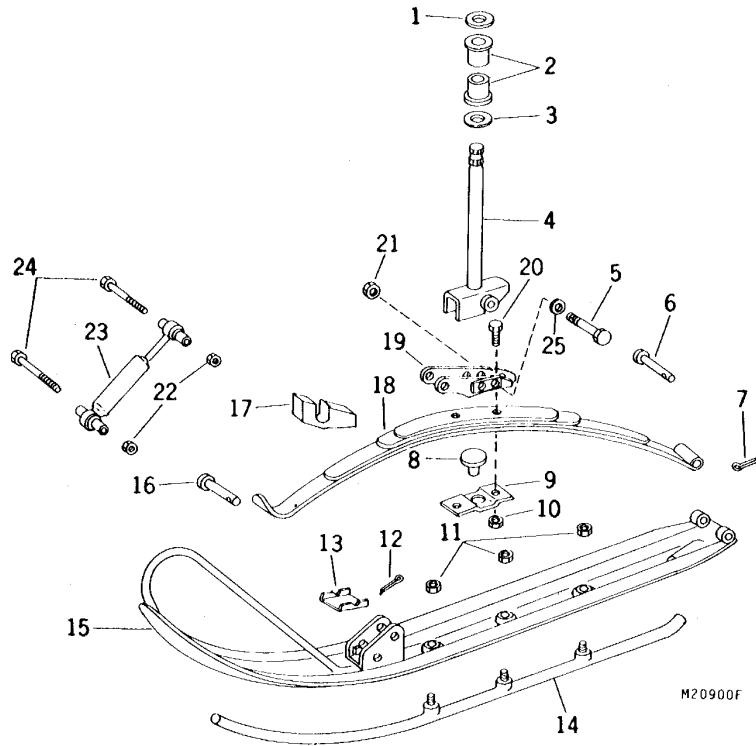
F16

SNOWMOBILE - LIQUIDATOR

SHOCK ABSORBER, SPINDLE AND SKI ASSEMBLY

M20900

-UN-01JAN94



KEY	PART NO.	PART NAME	QTY	SERIAL NO.	REMARKS
1	24H1911	SHIM	1	0.020"	
2	M66245	BUSHING	2		
3	24H1424	WASHER	1	29/32" X 1-1/2" X 0.060"	
4	AM54059	SPINDLE	1		
5	19H2058	CAP SCREW	1	7/16" X 3-3/4"	
6	M63232	PIN	1		
7	11H235	COTTER PIN	1	1/8" X 1/2"	
8	M63278	BUMPER	1	(A)	
9	M63174	RETAINER	1	(A)	
10	M64407	LOCK NUT	2	(A)	
11	M63370	LOCK NUT	3		
12	11H233	COTTER PIN	1	3/32" X 1/2"	
13	M63052	INSULATOR	1		
14	AM53897	ROD	1	(SUB AM54253)	
	AM52971	ROD	1	(PKG OF 2)	
15	AM54064	RUNNER	1	(SUB AM53578)	
16	M63279	PIN	1		
17	M66280	STOP	1		
18	AM54065	SPRING ASSEMBLY	1	(INCLUDES LEAF SPRINGS AND PARTS MARKED WITH AN (A))	
19	AM54076	SADDLE	1	(A)	
20	19H3363	CAP SCREW	2	(A) 3/8" X 1-3/8"	
21	14H849	NUT	2	7/16"	
22	M17841	LOCK NUT	2		
23	AM54066	ABSORBER	1		
24	19H2347	CAP SCREW	2	7/16" X 3"	
25	24H1327	WASHER	1	15/32" X 1-1/8" X 7/64"	

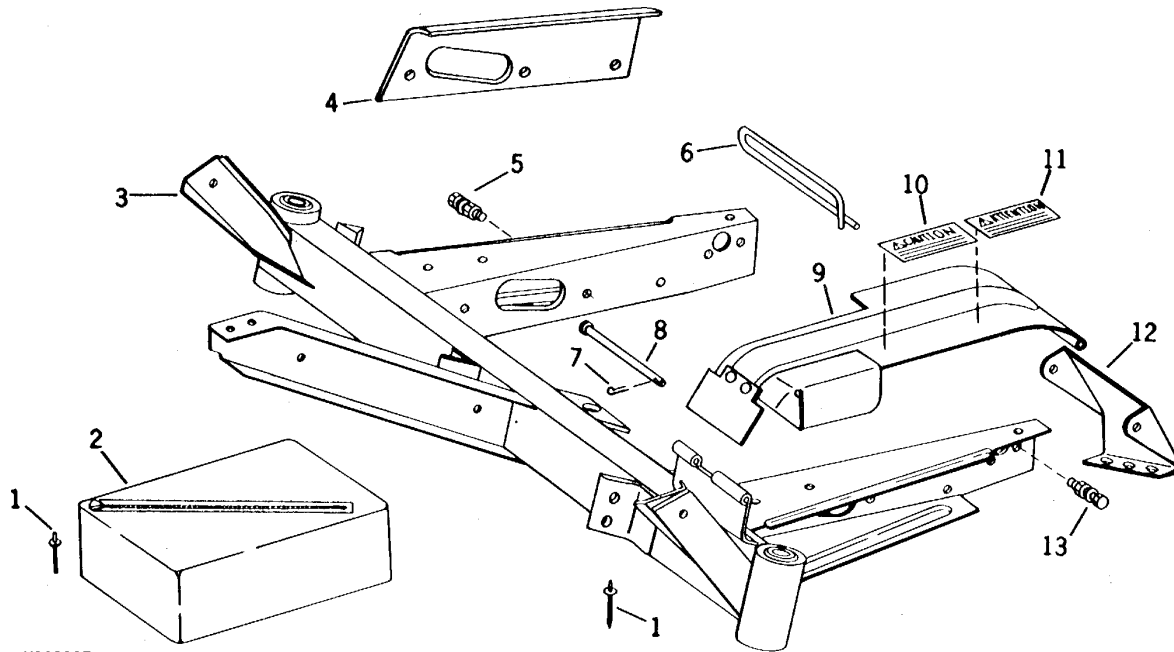
F17

SNOWMOBILE - LIQUIDATOR

M23220F

-UN-01JAN94

FRONT FRAME, BELT GUARD AND TOOL POUCH



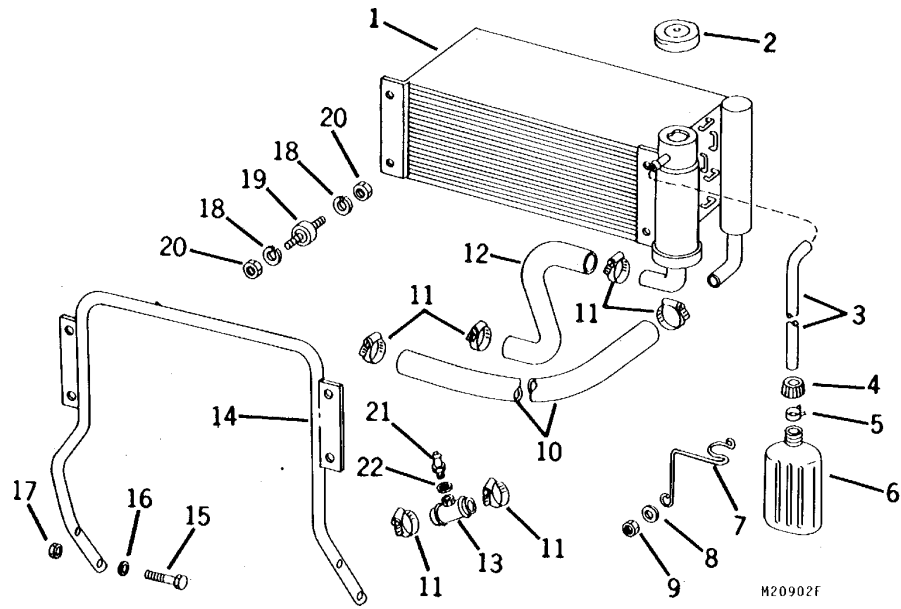
KEY	PART NO.	PART NAME	QTY	SERIAL NO.	REMARKS
1	M64720	RIVET	3		
2	AM53968	CONTAINER	1		
3	AM54019	FRAME	1		
4	M66807	REINFORCEMENT	1		R.H.
5	19H1906	CAP SCREW	3		5/16" X 1-1/2"
	24H1887	WASHER	3		11/32" X 1" X 0.134"
	M63277	LOCK NUT	3		
6	M66183	SPRING LOCKING PIN	1		
7	11H233	COTTER PIN	1		3/32" X 1/2"
8	M66776	PIN	1		
9	AM54291	GUARD	1		
10	M65984	DECAL	1		"CAUTION"
11	M66513	DECAL	1		(FRENCH) "CAUTION"
12	M66775	SUPPORT	1		
13	19H1905	CAP SCREW	4		5/16" X 1"
	24H1887	WASHER	11		11/32" X 1" X 0.134"
	M63277	LOCK NUT	4		

F18

SNOWMOBILE - LIQUIDATOR

M20902 -UN-01JAN94

RADIATOR



KEY	PART NO.	PART NAME	QTY	SERIAL NO.	REMARKS
-----	----------	-----------	-----	------------	---------

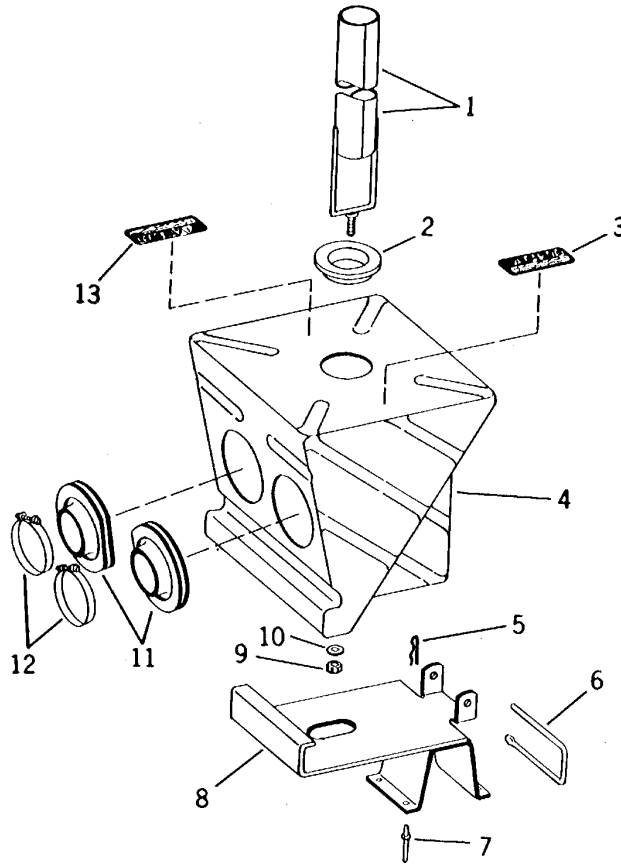
1	AM54026	RADIATOR	1		
2	AM54180	FILLER CAP	1		
3	TUBE	1		(660.4 MM) 26", (SUB M63270)
4	M66457	CAP	1		
5	M64254	CLAMP	1		
6	M66455	CONTAINER	1		
7	M66456	BRACKET	1		
8	24H1136	WASHER	1		11/32" X 11/16" X 0.065"
9	M63277	LOCK NUT	1		
10	M66637	HOSE	1		(254.0 MM) 10 "
11	AR54815	CLAMP	6		
12	M66861	HOSE	1		
13	AM54292	COUPLING	1		
14	AM54105	BRACKET	1		
15	19H1791	CAP SCREW	4		1/4" X 1-1/4"
16	24H1287	WASHER	4		9/32" X 5/8" X 0.065"
17	M63707	LOCK NUT	4		
18	12H302	LOCK WASHER	8		1/4"
19	M66552	SUPPORT	4		
20	14H786	NUT	8		1/4"
21	M66582	BLEED VALVE	1		
22	M66565	GASKET	1		

F19

SNOWMOBILE - LIQUIDATOR

INTAKE SILENCER

M23221F -UN-01JAN94



M23221F

KEY	PART NO.	PART NAME	QTY	SERIAL NO.	REMARKS
1	AM54087	TUBE	1		
2	M66338	SEAL	1		
3	M65325	LABEL	1		"CAUTION"
4	M66525		1		
5	J16931	SPRING LOCKING PIN	1		
6	M66627	PIN	1		
7	M63200	RIVET	4		
8	AM54100	BASE	1		
9	M63707	LOCK NUT	1		
10	24H1286	WASHER	1		9/32" X 1/2" X 1/16"
11	M66526	BOOT	2		
12	AM53730	CLAMP	2		
13	M66512	LABEL	1		(FRENCH) "ATTENTION"

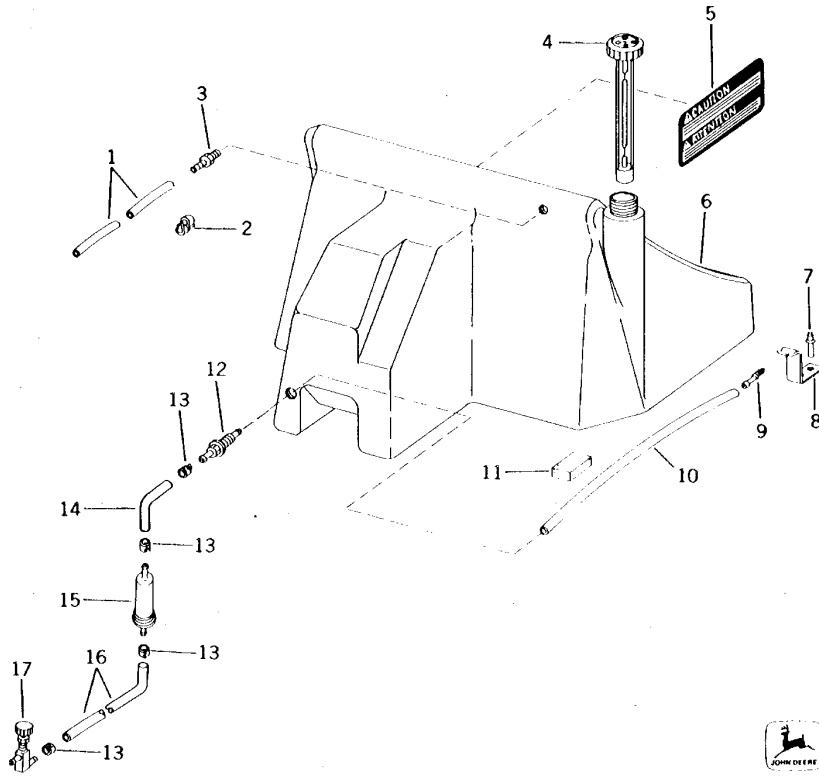
F20

SNOWMOBILE - LIQUIDATOR

M19226

-UN-01JAN94

FUEL TANK ASSEMBLY



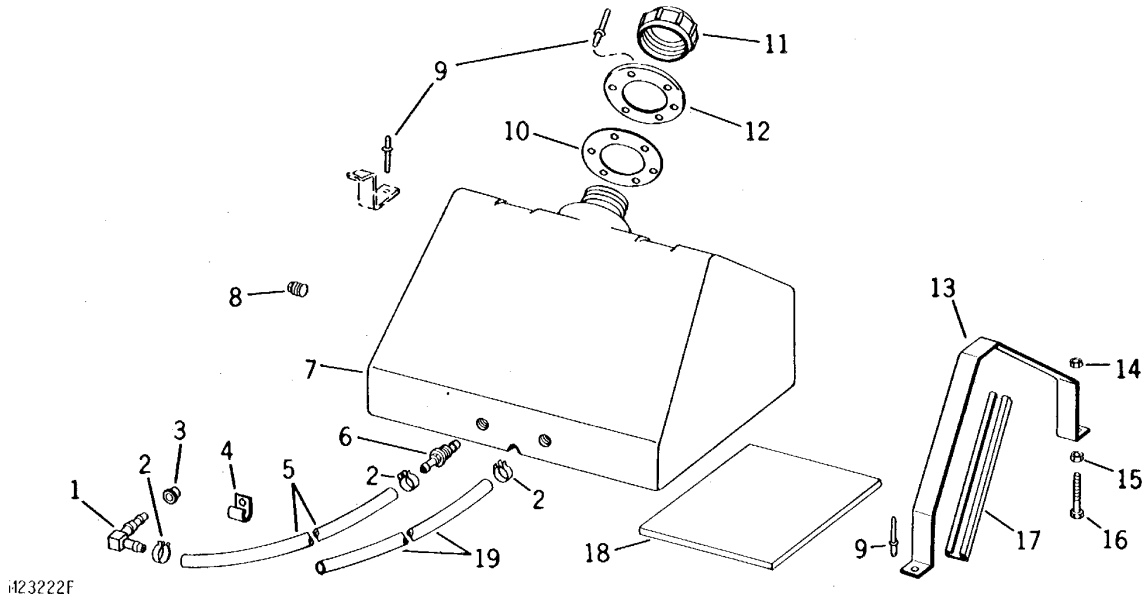
KEY	PART NO.	PART NAME	QTY	SERIAL NO.	REMARKS
1	LINE	1	(1.168 M) 46", (SUB M65595)	
2	M66360	CLIP	4		
3	M66359	HOSE FITTING	1		
4	AM53834	LEVEL GAUGE	1		
5	M66268	DECAL	1		
6	M66149	FUEL TANK	1		
7	M63200	RIVET	4		
8	M66272	BRACKET	2		
9	AM54051	FUEL PICKUP	1	(INCLUDES SCREEN)	
10	FUEL LINE	1	(431.8 MM) 17", (SUB M63270)	
11	M66221	TORSIONAL DAMPENER	4		
12	M66358	FITTING	1		
13	M64254	CLAMP	4		
14	FUEL LINE	1	(25.4 MM) 1", (SUB M63270)	
15	M64630	FILTER	1		
16	FUEL LINE	1	(139.7 MM) 5-1/2", (SUB M63270)	
17	AM36141	SHUT-OFF VALVE	1		

F21

SNOWMOBILE - LIQUIDATOR

REAR FUEL TANK KIT

M23222F -UN-01JAN94



M23222F

KEY	PART NO.	PART NAME	QTY	SERIAL NO.	REMARKS
1	M65796	ELBOW FITTING	1		
2	M64254	CLAMP	3		
3	M66005	BUSHING	1		
4	N10010	CLIP	1		
5	FUEL LINE	1		(0.559 M) 22", (SUB M63270)
6	M66358	FITTING	1		
7	M66639	FUEL TANK	1		
8	M44477	FITTING	1		
9	M64720	RIVET	12		
10	M66642	PLATE	1		
11	AM53576	FILLER CAP	1		
12	M66643		1		
13	M66640	STRAP	2		
14	M63277	LOCK NUT	2		
15	14H785	NUT	2		5/16"
16	03H2280	BOLT	2		5/16" X 2"
17	M66641		2		
18	M44311	PAD	2		
19	FUEL LINE	1		(1.118 M) 44", (SUB M63270)
..	AM54147	KIT	1		REAR FUEL TANK

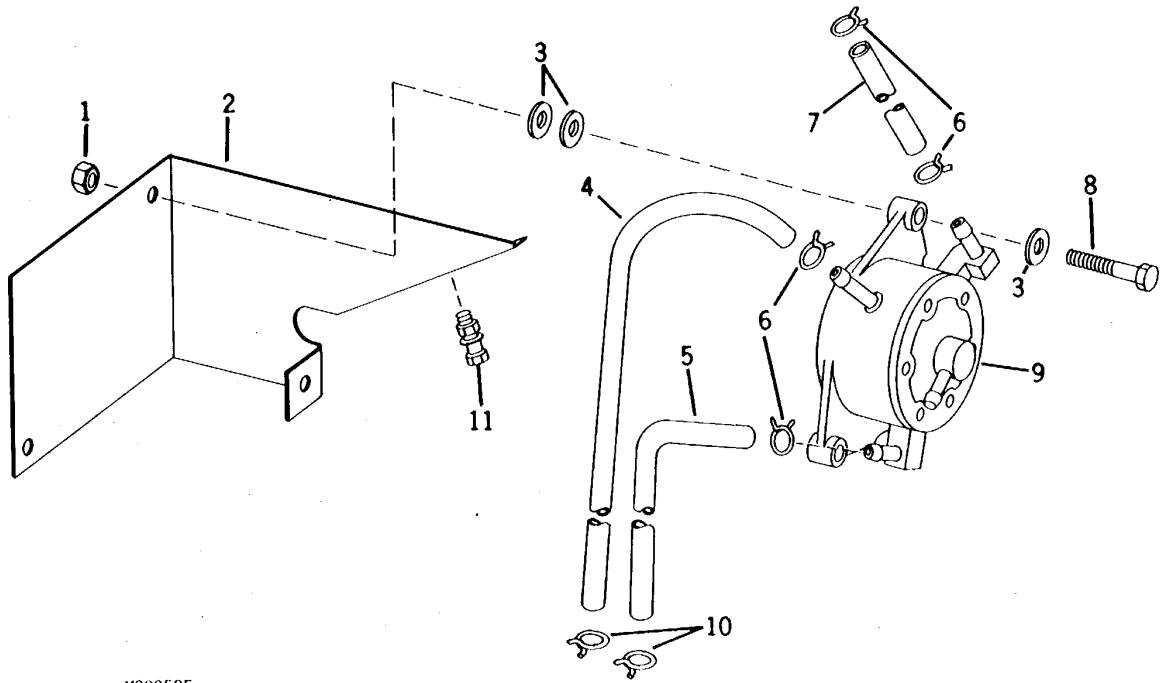
F22

SNOWMOBILE - LIQUIDATOR

M20958

-UN-01JAN94

FUEL LINES AND PUMP



M20958F

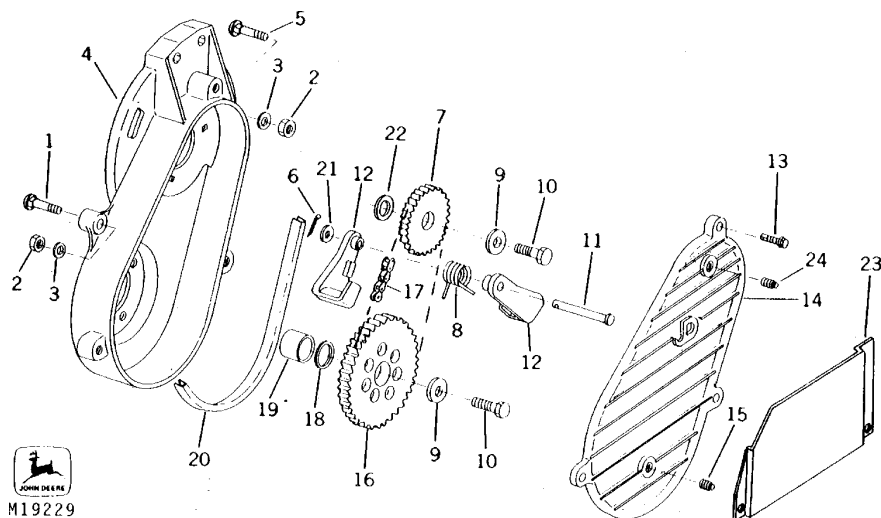
KEY	PART NO.	PART NAME	QTY	SERIAL NO.	REMARKS
1	M63707	LOCK NUT	2		
2	M66866	BRACKET	1		
3	24H1287	WASHER	8		9/32" X 5/8" X 0.065"
4	FUEL LINE	1		(431.8 MM) 17", (SUB M63270)
5	FUEL LINE	1		(279.4 MM) 11", (SUB M63270)
6	M64254	CLAMP	4		
7	FUEL LINE	1		(88.9 MM) 3-1/2", (SUB M63270)
8	19H1791	CAP SCREW	2		1/4" X 1-1/4"
9	AM54299	FUEL PUMP	1		
10	M47470	CLAMP	2		
11	19H1900	CAP SCREW	2		5/16" X 3/4"
	24H1136	WASHER	4		11/32" X 11/16" X 0.065"
	M63277	LOCK NUT	2		

F23

SNOWMOBILE - LIQUIDATOR

CHAIN CASE, CHAIN, DRIVE SPROCKET AND DRIVEN SPROCKET

M19229 -UN-01JAN94



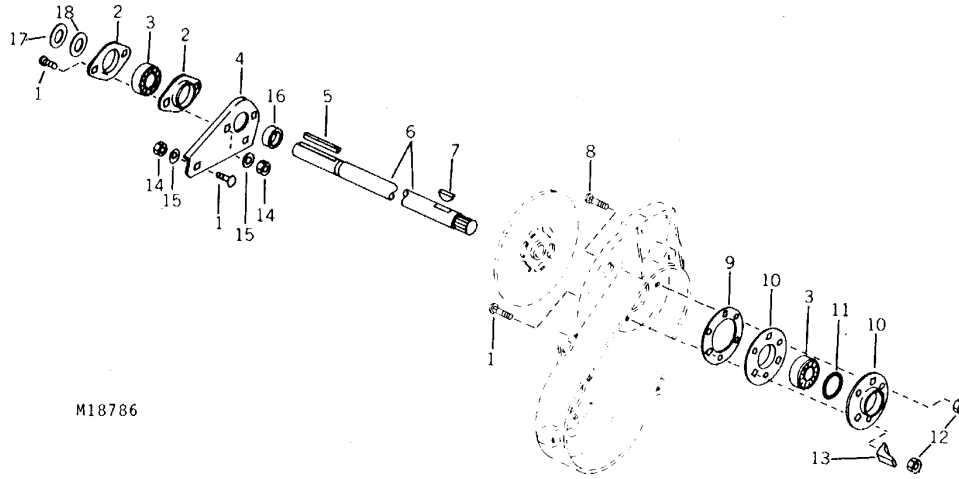
KEY	PART NO.	PART NAME	QTY	SERIAL NO.	REMARKS
1	03H1505	BOLT	1	5/16" X 1-3/4"	
2	M63277	LOCK NUT	2		
3	24H1136	WASHER	2	11/32" X 11/16" X 0.065"	
4	M66126	CASE	1	(SUB AM54192)	
5	03H2279	BOLT	1	5/16" X 1-1/2"	
6	11H266	COTTER PIN	1	1/16" X 1/2"	
7	M66303	CHAIN SPROCKET	1	(21:39 RATIO) (STANDARD)	
	M66322	CHAIN SPROCKET	1	(24:40 RATIO) (OPTIONAL)	
	M66302	CHAIN SPROCKET	1	(17:42 RATIO) (OPTIONAL)	
	M66302	CHAIN SPROCKET	1	(17:35 RATIO) (OPTIONAL)	
8	M66216	SPRING	1		
9	24H1909	WASHER	2	13/32" X 1-3/8" X 1/4"	
10	M63678	CAP SCREW	2		
11	M66191	PIN	1		
12	M66193	ARM	2		
13	M66350	SCREW	3		
14	M66127	COVER	1		
15	15H604	PIPE PLUG	1	1/4"	
16	M65693	CHAIN SPROCKET	1	(21:39 RATIO) (STANDARD)	
	M66323	DRIVE SPROCKET	1	(24:40 RATIO) (OPTIONAL)	
	M65810	CHAIN SPROCKET	1	(17:42 RATIO) (OPTIONAL)	
	M65809	CHAIN SPROCKET	1	(17:35 RATIO) (OPTIONAL)	
17	M66122	LINK CHAIN	1	(21:39 RATIO) (STANDARD)	
	M66321	LINK CHAIN	1	(24:40 RATIO) (OPTIONAL)	
	M66122	LINK CHAIN	1	(17:42 RATIO) (OPTIONAL)	
	M66123	LINK CHAIN	1	(17:35 RATIO) (OPTIONAL)	
18	N110223	SHIM	AR	(0.254 MM) 0.010", (SUB AM54150)	
19	M66133	BUSHING	1		
	M63132	BUSHING	AR	USE ONLY AS REQUIRED IN PLACE OF M66133	
20	M66128	GASKET	1		
21	24H1287	WASHER	1	9/32" X 5/8" X 0.065"	
22	SHIM	AR	(0.457 MM) 0.018", (SUB AM54150)	
23	AM54172	HEAT SHIELD	1		
24	M65978	PIPE PLUG	1		

F24

SNOWMOBILE - LIQUIDATOR

SECONDARY SHAFT AND BEARINGS

M18786 -UN-01JAN94



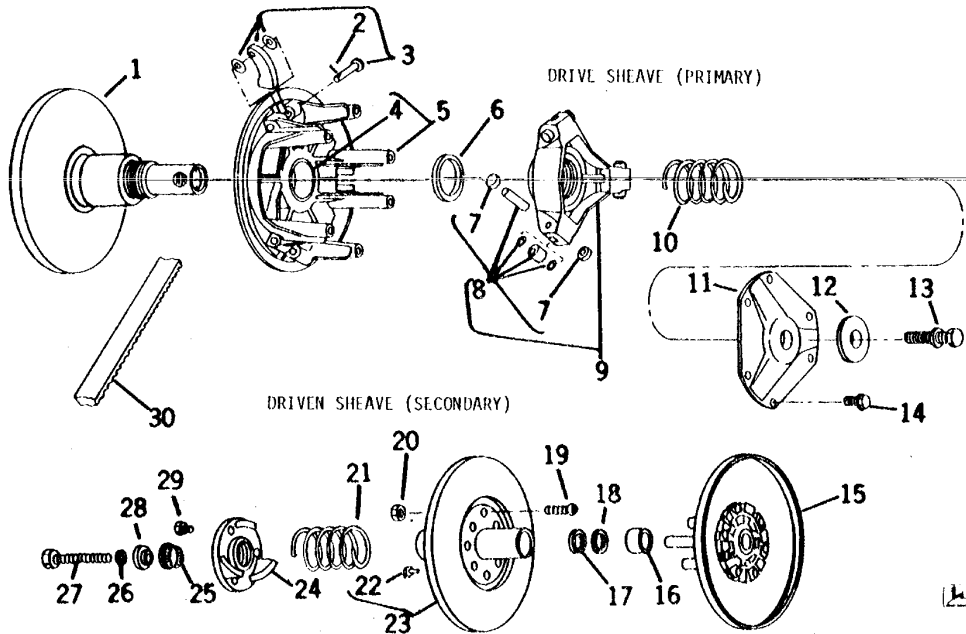
KEY	PART NO.	PART NAME	QTY	SERIAL NO.	REMARKS
1	03H1268	BOLT	5		5/16" X 3/4"
2	M66125	PRESSED FLANGED HOUSING	2		
3	JD8562	BALL BEARING	2		(0.875" (22.22 MM) I.D.)
4	M66134		1		
5	KEY	1		3/16" X 5", (CUT FROM H64373)
6	M66129	SHAFT	1		
7	26H77	SHAFT KEY	1		3/16" X 3/4"
8	03H1539	BOLT	2		5/16" X 5/8"
9	M63228	GASKET	1		
10	M80293	PRESSED FLANGED HOUSING	2		
11	U42111	O-RING	1		
12	M66349	LOCK NUT	3		
13	M66237	STOP	1		
14	M63277	LOCK NUT	4		
15	24H1136	WASHER	4		11/32" X 11/16" X 0.065"
16	M66267	SPACER	1		
17	SHIM	1		(1.52 MM) 0.060", (SUB AM54150)
18	SHIM	1		(0.45 MM) 0.018", (SUB AM54150)

F25

SNOWMOBILE - LIQUIDATOR

DRIVE AND DRIVEN SHEAVE

M20640F -UN-01JAN94



M20640F

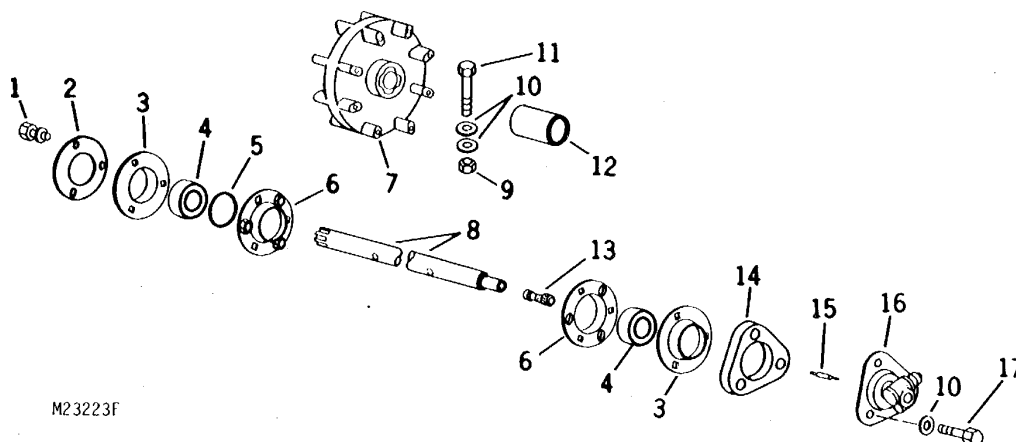
KEY	PART NO.	PART NAME	QTY	SERIAL NO.	REMARKS
1	AM53942	SHEAVE	1	(A)	
2	34H226	SPRING PIN	3	(A) 3/32" X 7/16"	
3	AM54168	KIT	1	(A) ARM	
4	AM54086	BEARING	1	(A)	
5	AM54167	SHEAVE	1	(A) (SUB AM54306 AND AM54168)	
6	AM53000	KIT	1	(A) WASHER	
7	AM54307	KIT	1	(A) GUIDE BUTTON	
8	AM54308	KIT	1	(A) ROLLER	
9	AM54305	KIT	1	(A) SPIDER AND ROLLER	
10	M66692	SPRING	1	(A) BROWN	
11	M66965	PLATE	1	(A) PLATE	
12	M64607	WASHER	1	(A)	
13	19H3326	CAP SCREW	1	1/2" X 6-1/2"	
	12H301	LOCK WASHER	1	1/2"	
14	AM53002	KIT	1	(A) 1/4" X 3/4", (PKG OF 6) LOCKING SCREW	
15	AM53992	SHEAVE	1	(D)	
16	M66381	BUSHING	1	(D)	
17	M66519	SHIM	1	(D)	
18	M66518	WASHER	1	(D)	
19	M66385	BOLT	6		
20	M40333	LOCK NUT	6		
21	M66378	SPRING	1	(D)	
22	AM53842	KIT	1	(D) TORQUE BUTTON	
23	AM54267	CASE	1	(D) (SUB FOR AM53991)	
24	M66384	CAM	1	(D) (38°)	
25	M65871	BUSHING	1	(D)	
26	12H303	LOCK WASHER	1	(D) 5/16"	
27	19H3354	CAP SCREW	1	(D) 5/16" X 4-1/4"	
28	M66170	RETAINER	1	(D)	
29	M66350	SCREW	3	(D)	
30	M66345	BELT	1		
..	AM54248	CLUTCH	1		PRIMARY (INCLUDES PARTS MARKED WITH AN (A))
..	AM53990	DRIVE	1		SECONDARY (INCLUDES PARTS MARKED WITH A (D))

G1

SNOWMOBILE - LIQUIDATOR

M23223F -UN-01JAN94

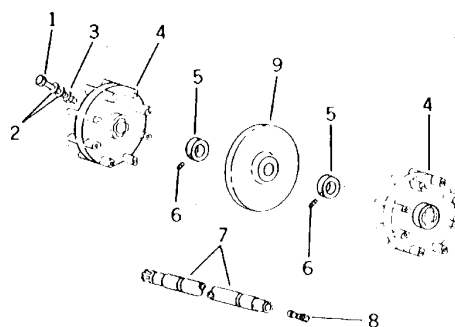
DRIVE WHEELS AND DRIVE SHAFT



KEY	PART NO.	PART NAME	QTY	SERIAL NO.	REMARKS
1	19H1849	CAP SCREW	3	5/16" X 1-1/4"	
	24H1136	WASHER	3	11/32" X 11/16" X 0.065"	
2	M63228	GASKET	2		
3	M80293	PRESSED FLANGED HOUSING	2		
4	JD8555	BALL BEARING	2	(25.40 MM) 1.00" I.D.	
5	U42111	O-RING	1		
6	AM54060	RETAINER	2		
7	AM54015	WHEEL	3	(SUB AM54872)	
8	M66411	LOCK NUT	1		
9	M63277	LOCK NUT	2		
10	24H1136	WASHER	7	11/32" X 11/16" X 0.065"	
11	19H2657	CAP SCREW	2	5/16" X 3-1/8"	
12	M66537	SPACER	2	(SUB M68457)	
13	M63306	BUSHING	1	(SUB M64141)	
14	M63138	SPACER	1		
15	M64142	CORE	1		
16	AM53554	DRIVE	1	(SUB AM55301)	
17	19H1906	CAP SCREW	3	5/16" X 1-1/2"	

MOLDED GROUSER BAR TRACK KIT

M19232 -UN-01JAN94

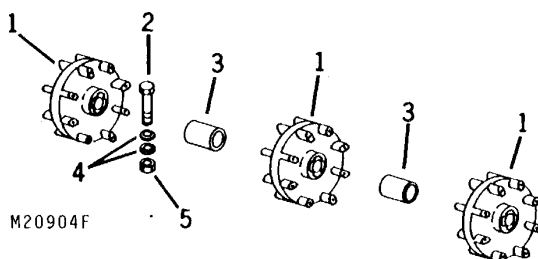


M19232

KEY	PART NO.	PART NAME	QTY	SERIAL NO.	REMARKS
1	19H2657	CAP SCREW	2	5/16" X 3-1/8"	
2	24H1136	WASHER	4	11/32" X 11/16" X 0.065"	
3	M63277	LOCK NUT	2		
4	AM52913	DRIVE SPROCKET	2		
5	JD8551	ECCENTRIC LOCKING COLLAR	2		
6	22H975	SET SCREW	2	5/16" X 5/16"	
7	M66146	DRIVE SHAFT	1		
8	M63306	BUSHING	1	(SUB M64141)	
9	M64837	WHEEL	1		

MOLDED GROUSER BAR TRACK KIT

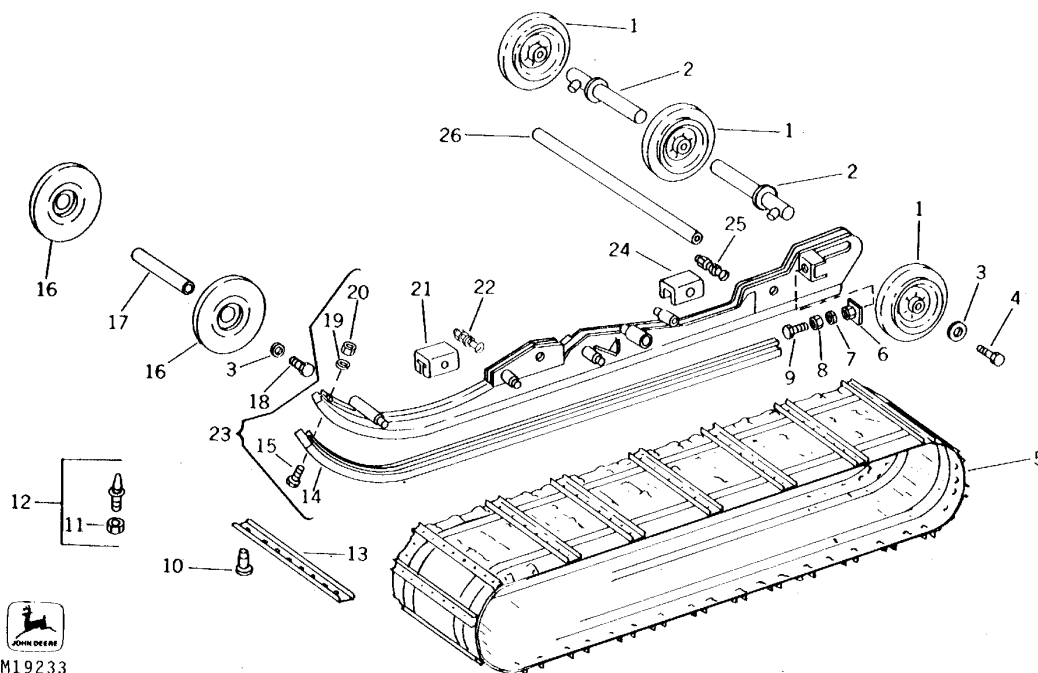
M20904 -UN-01JAN94



M20904F

KEY	PART NO.	PART NAME	QTY	SERIAL NO.	REMARKS
1	AM54216	DRIVE SPROCKET	3		
2	19H2657	CAP SCREW	2	5/16" X 3-1/8"	
3	M66537	SPACER	2	(SUB M68457)	
4	24H1136	WASHER	4	11/32" X 11/16" X 0.065"	
5	M63277	LOCK NUT	2		
..	AM54328	KIT	1	(USE WITH AM53708) MOLDED GROUSER BAR TRACK	

M19233 -UN-01JAN94

REAR IDLER, TRACK AND SLIDE RAILS


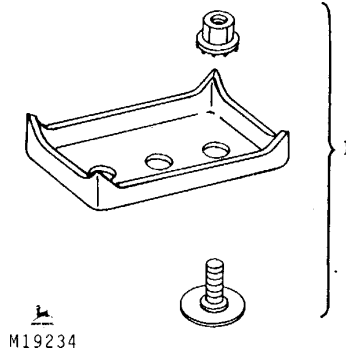
KEY	PART NO.	PART NAME	QTY	SERIAL NO.	REMARKS
1	AM52952	WHEEL	3		REAR IDLER
2	AM53413	SPACER	2		
3	24H1309	WASHER	4		13/32" X 1-1/16" X 0.120"
4	19H1731	CAP SCREW	2		3/8" X 1"
5	AM54017	TRACK	1		
6	AM53439	NUT	2		
7	12H304	LOCK WASHER	2		3/8"
8	14H812	NUT	2		3/8"
9	19H2418	CAP SCREW	2		3/8" X 3-3/4"
10	M66648	RIVET	1		(SUB AM54160)
11	M65217	NUT	1		(SUB AM54373)
12	AM53629	KIT	1		(INCLUDES (24) M65847, (24) M65217 AND AT14927) ICE STUD
13	M66412	BAR	37		
14	M64480	BAR	2		
15	19H1949	CAP SCREW	2		5/16" X 2-1/2"
	24H1887	WASHER	2		11/32" X 1" X 0.134"
16	AM54050	WHEEL	2		FRONT IDLER
17	M66460	SPACER	1		
18	19H2228	CAP SCREW	2		3/8" X 4"
19	24H1136	WASHER	2		11/32" X 11/16" X 0.065"
20	M63277	LOCK NUT	2		
21	M66459	BUMPER	2		FRONT
22	21H1199	SCREW	2		0.190" X 1-3/4"
	24H1283	WASHER	4		7/32" X 1/2" X 0.049"
	M63662	LOCK NUT	1		
23	AM54170	RAIL	1		R.H.
	AM54171	RAIL	1		L.H.
24	M66462	BUMPER	2		REAR
25	37H112	SCREW	4		0.190" X 1/2"
	24H1283	WASHER	4		7/32" X 1/2" X 0.049"
26	M64483	AXLE	1		REAR IDLER

G4

SNOWMOBILE - LIQUIDATOR

CLAW KIT

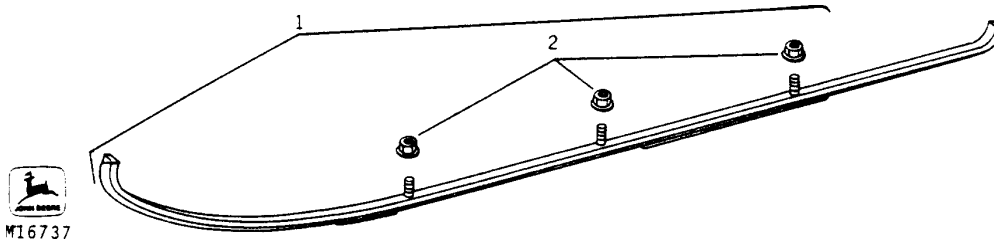
M19234 -UN-01JAN94



KEY	PART NO.	PART NAME	QTY	SERIAL NO.	REMARKS
1	AM54153	KIT	1		CLAW (INCLUDES 37 CLAWS, HARDWARE AND (2) AT14927)

CARBIDE WEAR ROD KIT (OVAL TRACK RACING)

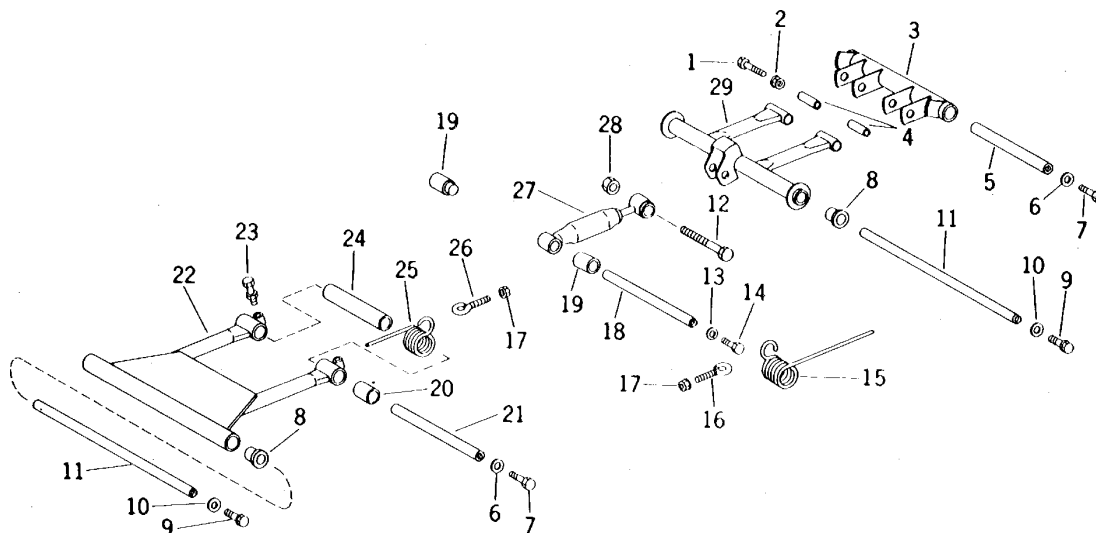
M16737 -UN-02JAN94



KEY	PART NO.	PART NAME	QTY	SERIAL NO.	REMARKS
1	AM53669	SKI WEAR ROD KIT	1		CARBIDE (INCLUDES (6) NUTS AND (2) RODS)
2	E55662	FLANGE NUT	1		

M19235

-UN-01JAN94

SLIDE RAIL PIVOTS, SPRINGS AND SHOCK ABSORBER


H19235

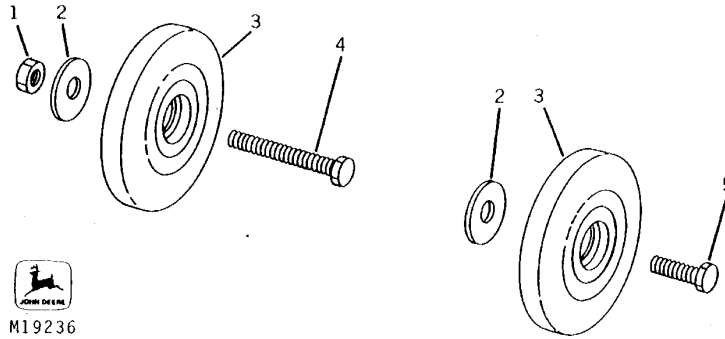
KEY	PART NO.	PART NAME	QTY	SERIAL NO.	REMARKS
1	19H1913	CAP SCREW	2		5/16" X 2-1/4"
2	M63277	LOCK NUT	2		
3	AM53491	TUBE	1		
4	M65815	SPACER	2		
5	M65742	SHAFT	1		
6	24H1309	WASHER	4		13/32" X 1-1/16" X 0.120"
7	19H1732	CAP SCREW	4		3/8" X 1-1/4"
8	M64242	BUSHING	4		
9	M64553	BOLT	4		
10	24H1327	WASHER	4		15/32" X 1-1/8" X 7/64"
11	M64238		2		
12	19H1899	CAP SCREW	1		7/16" X 2"
13	24H1292	WASHER	2		11/32" X 3/4" X 0.120"
14	19H1900	CAP SCREW	2		5/16" X 3/4"
15	M65750	SPRING	1		R.H.
	M65751	SPRING	1		L.H.
16	M65816	EYEBOLT	2		
17	M63440	LOCK NUT	4		
18	M65761	SHAFT	1		
19	M66461	BUSHING	2		
20	M65814	BUSHING	2		
21	M65760	SHAFT	1		
22	AM54047	ARM	1		
23	19H2471	CAP SCREW	2		3/8" X 1-1/2"
	14H732	NUT	2		3/8"
24	M65836	BUSHING	1		
25	M65748	SPRING	1		L.H.
	M65749	SPRING	1		R.H.
26	M65817	EYEBOLT	2		
27	AM53625	ABSORBER	1		
28	M64832	LOCK NUT	1		
29	AM54046	ARM	1		

G6

SNOWMOBILE - LIQUIDATOR

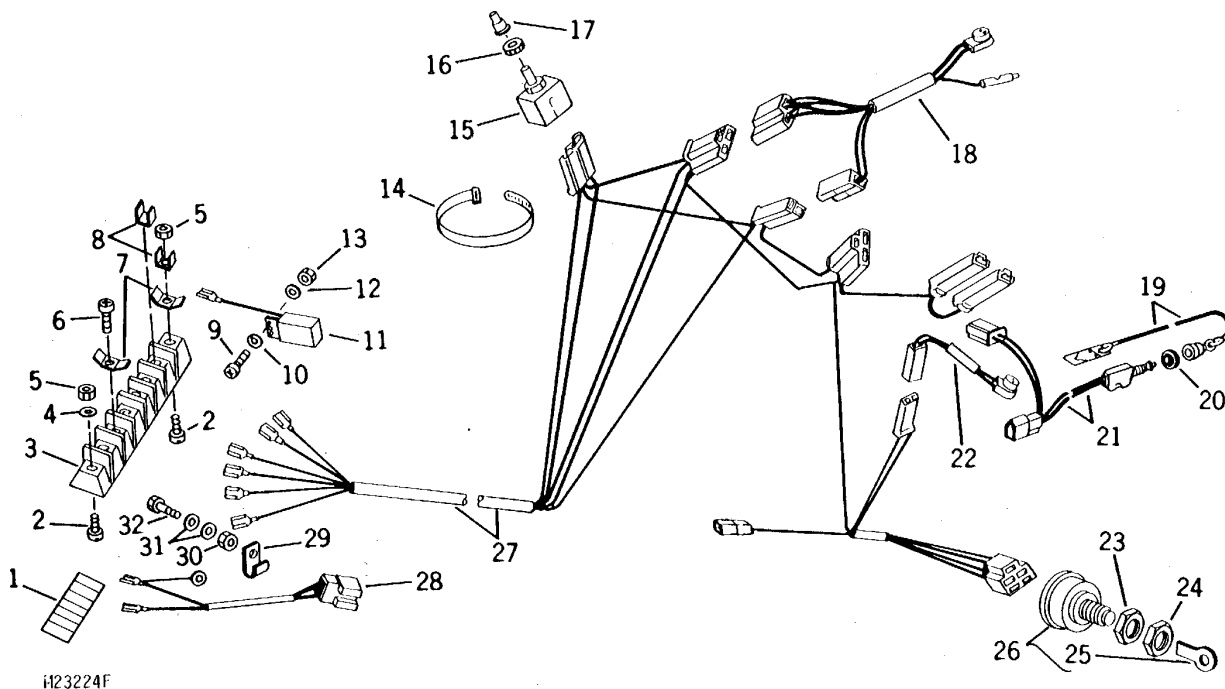
IDLER WHEEL KIT

M19236 -UN-01JAN94



KEY	PART NO.	PART NAME	QTY	SERIAL NO.	REMARKS
1	M63440	LOCK NUT	2		
2	24H1309	WASHER	6	13/32" X 1-1/16" X 0.120"	
3	AM54050	WHEEL	6		
4	19H1912	CAP SCREW	2	3/8" X 3-1/2"	
5	19H1732	CAP SCREW	4	3/8" X 1-1/4"	
..	AM54101	KIT	1	IDLER WHEEL	

M23224F -UN-01JAN94

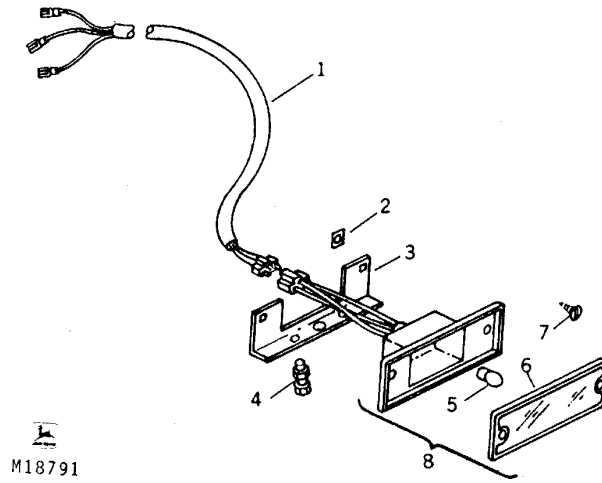
MAIN WIRING HARNESS AND SWITCHES


H23224F

KEY	PART NO.	PART NAME	QTY	SERIAL NO.	REMARKS
1	M66298	LABEL	1		
2	21H1148	SCREW	2	0.190" X 3/4"	
3	AM53932	TERMINAL BOARD	1	(INCLUDES (6) M66270, M66271 AND (6) 21H972)	
4	12H295	LOCK WASHER	2	0.190"	
5	14H778	NUT	2	0.190"	
6	21H972	SCREW	6	0.164" X 5/16"	
7	M66270	CONNECTOR	7	45°	
8	M66271	CONNECTOR	2	90°	
9	21H1161	SCREW	2	0.190" X 1/2"	
10	12H246	LOCK WASHER	2	0.190"	
11	AM53930	VOLTAGE REGULATOR	1		
12	24H1283	WASHER	2	7/32" X 1/2" X 0.049"	
13	14H631	NUT	2	0.190"	
14	M63300	TIE BAND	2		
15	AM52340	TOGGLE SWITCH	1		HEADLIGHT
16	M63296	NUT	1		
17	M63297	BOOT	1		
18	AM52311	SWITCH	1		DIMMER & BRAKE LIGHT
19	AM54113	CABLE	1		
20	M66607	NUT	1		
21	AM54063	SWITCH	1		TETHER
22	AM52312	SWITCH	1		EMERGENCY STOP
23	M63704	NUT	1		(BEHIND INSTRUMENT PANEL)
24	M63298	NUT	1		(ABOVE INSTRUMENT PANEL)
25	M63301	KEY	1	(PKG OF 2)	
26	AM52053	SWITCH	1		IGNITION
27	AM53812	WIRING HARNESS	1		(SUB AM54263)
28	AM53928	WIRING HARNESS	1		(SUB AM54262)
29	N10010	CLIP	1		
30	M63277	LOCK NUT	1		
31	24H1136	WASHER	2	11/32" X 11/16" X 0.065"	
32	19H2127	CAP SCREW	1	5/16" X 7/8"	

TAILLIGHT ASSEMBLY

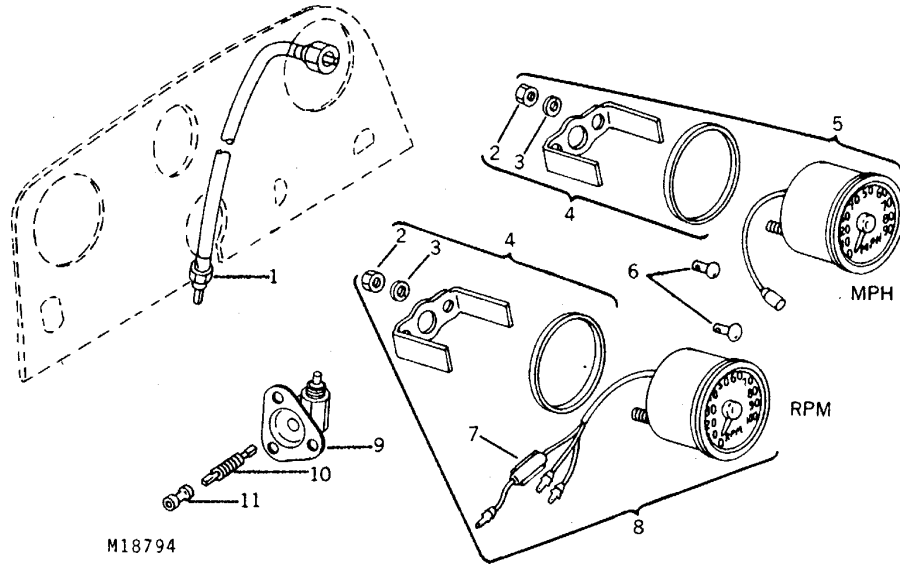
M18791 -UN-01JAN94



KEY	PART NO.	PART NAME	QTY	SERIAL NO.	REMARKS
1	AM53927	WIRING HARNESS	1		
2	M63775	GROMMET	2		
3	M63776	BRACKET	1		
4	19H1919	CAP SCREW	2	1/4" X 5/8"	
5	M63707	LOCK NUT	2		
6	AM52619	BULB	1		(SUB AR48041) (1035)
7	M63816	LENS	1		
8	M63450	SCREW	2		
	AM52305	TAIL LAMP	1		

M18794 -UN-01JAN94

SPEEDOMETER AND TACHOMETER



KEY	PART NO.	PART NAME	QTY	SERIAL NO.	REMARKS
1	AM53639	CABLE	1		
2	14M7028	NUT	5	M5	
3	12H246	LOCK WASHER	4	0.190"	
4	AM52449	KIT	1		MOUNTING BRACKET
5	AM53863	SPEEDOMETER	1		
6	AM52847	BULB	1		
7	AM53432	FUSE	1		
8	AM53193	TACHOMETER	1		
9	AM53554	DRIVE	1		(SUB AM55301)
10	M64142	CORE	1		
11	M63306	BUSHING	1		(SUB M64141)

G10

SNOWMOBILE - LIQUIDATOR

TWO-CYCLE OIL

KEY	PART NO.	PART NAME	QTY	SERIAL NO.	REMARKS
..	PT560	OIL	1	(0.473 L)	

SNOWMOBILE COVER (NOT ILLUSTRATED)

KEY	PART NO.	PART NAME	QTY	SERIAL NO.	REMARKS
..	TY9300	COVER	1		

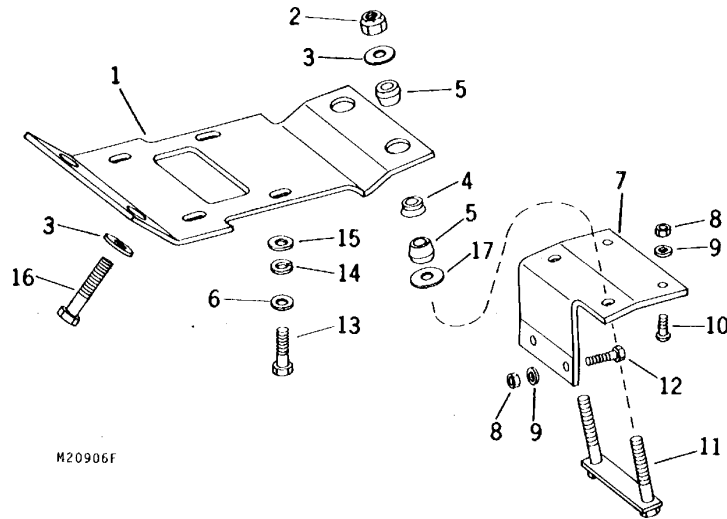
G11

SNOWMOBILE - LIQUIDATOR

M20906

-UN-01JAN94

ENGINE BASE AND PLATE



M20906F

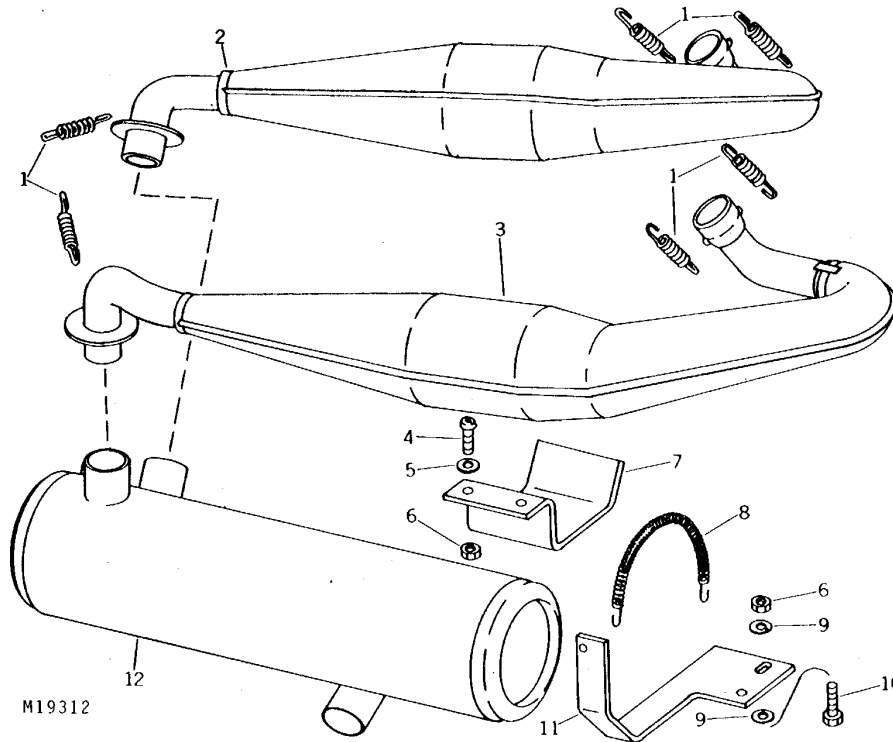
KEY	PART NO.	PART NAME	QTY	SERIAL NO.	REMARKS
1	M66864	BASE	1		
2	M63368	LOCK NUT	4		
3	24H1351	WASHER	4		9/16" X 1-1/2" X 0.164"
4	M66805	SPACER	4		
5	M66865	ISOLATOR	8		
6	12H337	LOCK WASHER	4		1/2"
7	M66487	SUPPORT	1		
8	M63277	LOCK NUT	4		
9	24H1887	WASHER	6		11/32" X 1" X 0.134"
10	03H1268	BOLT	2		5/16" X 3/4"
11	AM54085	RETAINER	1		
12	19H1849	CAP SCREW	2		5/16" X 1-1/4"
13	19H1777	CAP SCREW	4		1/2" X 1-3/4"
14	12H301	LOCK WASHER	4		1/2"
15	24H1789	WASHER	4		17/32" X 1-1/4" X 0.105"
16	19H2420	CAP SCREW	2		1/2" X 2-1/2"
17	24H1162	WASHER	4		17/32" X 1-1/4" X 0.060"

G12

SNOWMOBILE - LIQUIDATOR

EXHAUST SILENCER AND MUFFLERS

M19312 -UN-01JAN94



KEY	PART NO.	PART NAME	QTY	SERIAL NO.	REMARKS
1	M66155	SPRING	6		
2	AM54029	MUFFLER	1	L.H.	
3	AM54028	MUFFLER	1	R.H.	
4	M66314	SCREW	2		
5	24H1136	WASHER	2		11/32" X 11/16" X 0.065"
6	M63277	LOCK NUT	3		
7	M66632	BRACKET	1		
8	M48858	EXTENSION SPRING	1		
9	24H1292	WASHER	2		11/32" X 3/4" X 0.120"
10	19H1905	CAP SCREW	1		5/16" X 1"
11	M66690	BRACKET	1		
12	AM54027	MUFFLER	1		

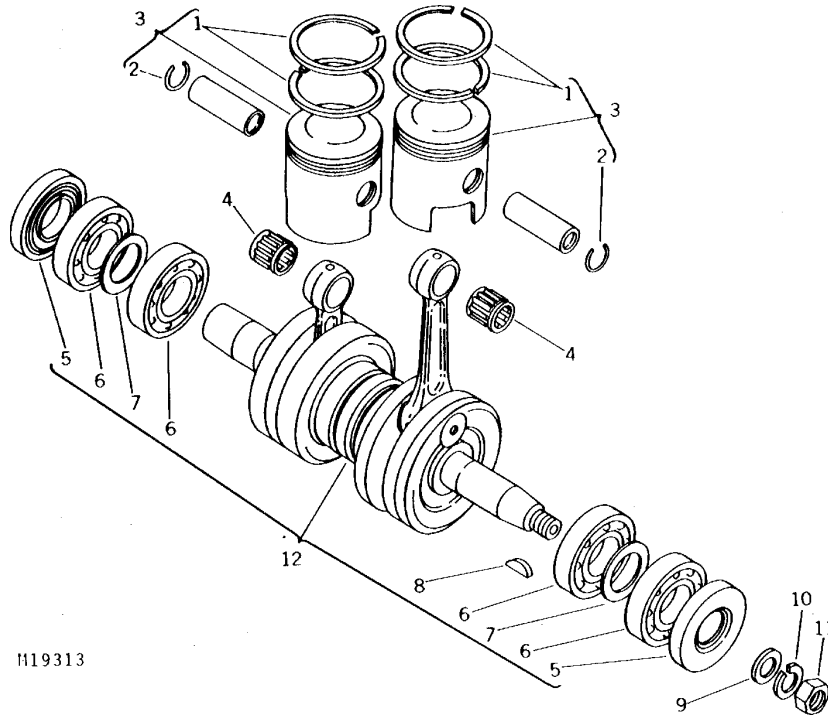
G13

SNOWMOBILE - LIQUIDATOR

M19313

-UN-01JAN94

PISTON, CRANKSHAFT AND BEARINGS



KEY	PART NO.	PART NAME	QTY	SERIAL NO.	REMARKS
1	AM53544	PISTON RING KIT	2	(STD)	
	AM54145	PISTON RING KIT	2	(0.25 MM) 0.010" OVERSIZE	
2	M66621	RETAINER	4		
3	AM54249	PISTON	2	(STD)	
	AM54268	PISTON	2	(0.25 MM) 0.010" OVERSIZE	
4	AM54125	NEEDLE BEARING	2		
5	M66733	SEAL	2		
6	AM54126	BEARING	4		
7	M66700	SHIM	2		
8	M63542	SHAFT KEY	1		
9	24M7038	WASHER	1	13.500 X 24 X 2.500 MM	
10	12H317	LOCK WASHER	1	9/16"	
11	M64655	NUT	1		
12	AM54124	CRANKSHAFT	1		

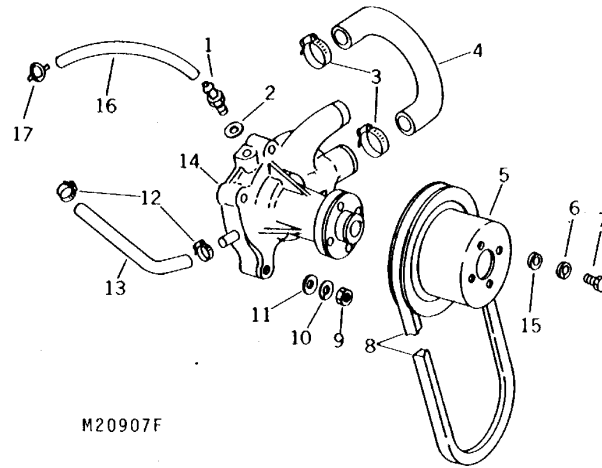
G14

SNOWMOBILE - LIQUIDATOR

LIQUID PUMP

M20907

-UN-01JAN94



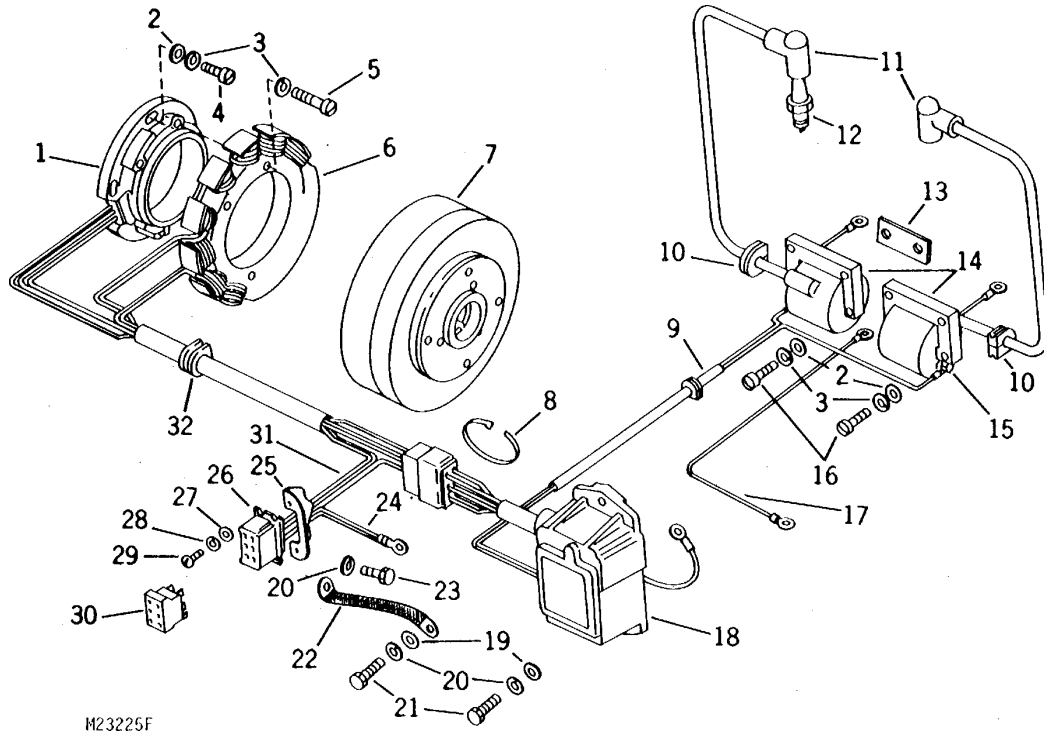
KEY	PART NO.	PART NAME	QTY	SERIAL NO.	REMARKS
1	M66582	BLEED VALVE	1		
2	M66565	GASKET	3		
3	AR21840	CLAMP	2		
4	M66719	HOSE	1		
5	M66721	PULLEY	1		
6	12H302	LOCK WASHER	4	1/4"	
7	19M7077	CAP SCREW	4	M6 X 20	
8	M66623	BELT	1		
9	14M7273	NUT	3	M8	
10	12H303	LOCK WASHER	3	5/16"	
11	24M7095	WASHER	1	8.400 X 15 X 1.600 MM	
12	AR21839	CLAMP	2		
13	M66720	HOSE	1		
14	AM54131	PUMP	1		
15	24M7105	WASHER	4	6 X 12 X 1.600 MM	
16	M66862	HOSE	1		
17	M47470	CLAMP	1		

G15

SNOWMOBILE - LIQUIDATOR

ELECTRONIC PACK, STATOR AND FLYWHEEL

M23225F -UN-01JAN94



M23225F

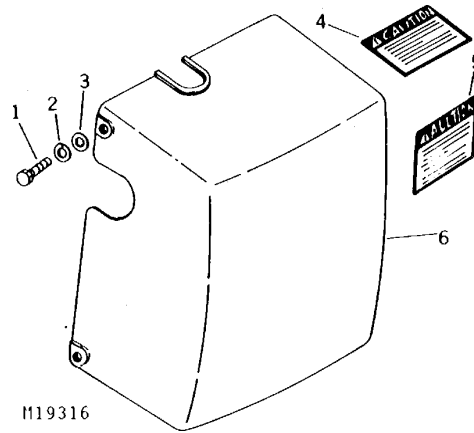
KEY	PART NO.	PART NAME	QTY	SERIAL NO.	REMARKS
1	AM53753	HOUSING	1		
2	24M7027	WASHER	16	5.300 X 10 X 1 MM	
3	12H246	LOCK WASHER	16	0.190"	
4	21M7185	SCREW	4	M5 X 16	
5	21M7143	SCREW	4	M5 X 30	
6	AM53755	STATOR	1		
7	AM54115	FLYWHEEL	1	(SUB AM53646)	
8	M63300	TIE BAND	1		
9	M66591	GROMMET	1		
10	M66590	GROMMET	2		
11	AM53862	KIT	2	BOOT AND SPRING	
12	AM53787	SPARK PLUG	1	(CHAMPION QN19V)	
13	M66592	PLATE	1		
14	AM54004	ELECTRICAL COIL	2	(INCLUDES AM53862) (SUB AM54238)	
15	14H1026	NUT	2	0.138"	
	12H321	WASHER	2	0.138"	
16	M66728	BOLT	8		
17	AM54098	WIRING LEAD	1		
18	AM54240	IGNITION	1	(SUB FOR AM54005)	
19	24M7105	WASHER	1	6 X 12 X 1.600 MM	
20	12H302	LOCK WASHER	1	1/4"	
21	21M7149	SCREW	1	M6 X 25	
22	M66729	WIRING LEAD	1		
23	19M7560	CAP SCREW	1	6 MM X 15 MM	
24	AM53634	WIRING LEAD	1		
25	M66734	CLAMP	1		
26	M63589	SOCKET OUTLET	1		
27	24M7029	SHIM	2	0.500 MM	
28	12H233	LOCK WASHER	2	1/8"	
29	21M7201	SCREW	2	3 MM X 8 MM	
30	M65877		1		
31	AM53752	WIRING LEAD	1		
32	M65660	BUSHING	1	(SUB FOR M66727)	

G16

SNOWMOBILE - LIQUIDATOR

BELT COVER

M19316 -UN-01JAN94



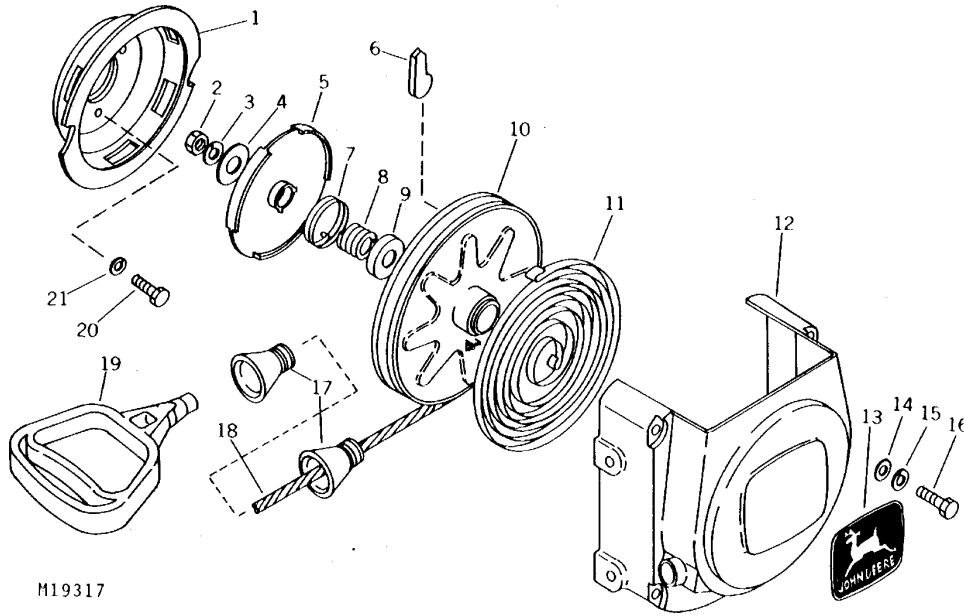
KEY	PART NO.	PART NAME	QTY	SERIAL NO.	REMARKS
1	21M7082	SCREW	4	M6 X 18	
2	12H302	LOCK WASHER	4	1/4"	
3	24M7105	WASHER	4	6 X 12 X 1.600 MM	
4	M65985	DECAL	1	"CAUTION"	
5	M66511	LABEL	1	(FRENCH) "CAUTION"	
6	M66624	COVER	1		

G17

SNOWMOBILE - LIQUIDATOR

RECOIL STARTER

M19317 -UN-01JAN94



M19317

KEY	PART NO.	PART NAME	QTY	SERIAL NO.	REMARKS
1	M66723	PULLEY	1		
2	14M7151	NUT	1	M8	
3	12H303	LOCK WASHER	1	5/16"	
4	M65975	WASHER	1		
5	M63576	PLATE	1		
6	M63577	RATCHET	3		
7	M64849	TORSION SPRING	1		
8	M64853	SPRING	1		
9	M63616	WASHER	1		
10	M63581	REEL	1		
11	M63580	SPRING	1		
12	M66726	CASE	1		
13	JD5273	DECAL	1		
14	24M7095	WASHER	4	8.400 X 15 X 1.600 MM	
15	12H303	LOCK WASHER	4	5/16"	
16	19M7663	CAP SCREW	4	M8 X 70	
17	M65976	GUIDE	2		
18	M65977	ROPE	1		
19	M66111	HANDLE	1		
20	19M7560	CAP SCREW	3	6 MM X 15 MM	
21	12H246	LOCK WASHER	1	0.190"	

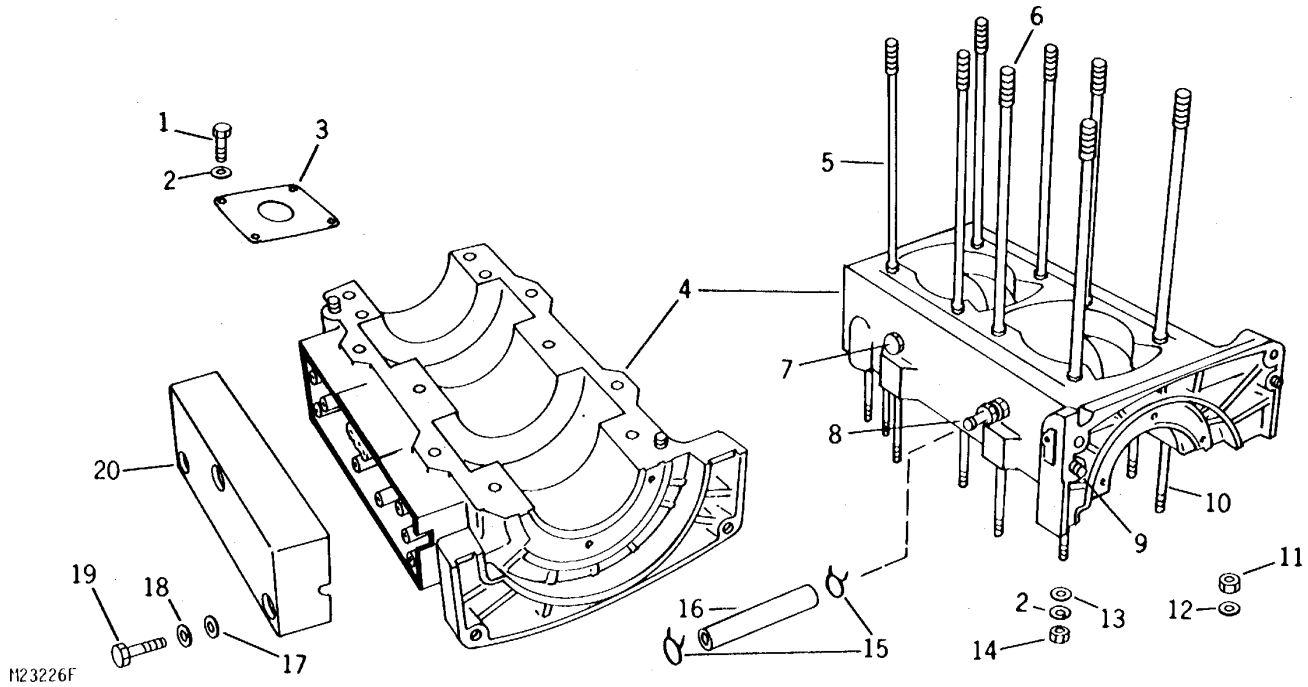
G18

SNOWMOBILE - LIQUIDATOR

CRANKCASE ASSEMBLY

M23226F

-UN-01JAN94



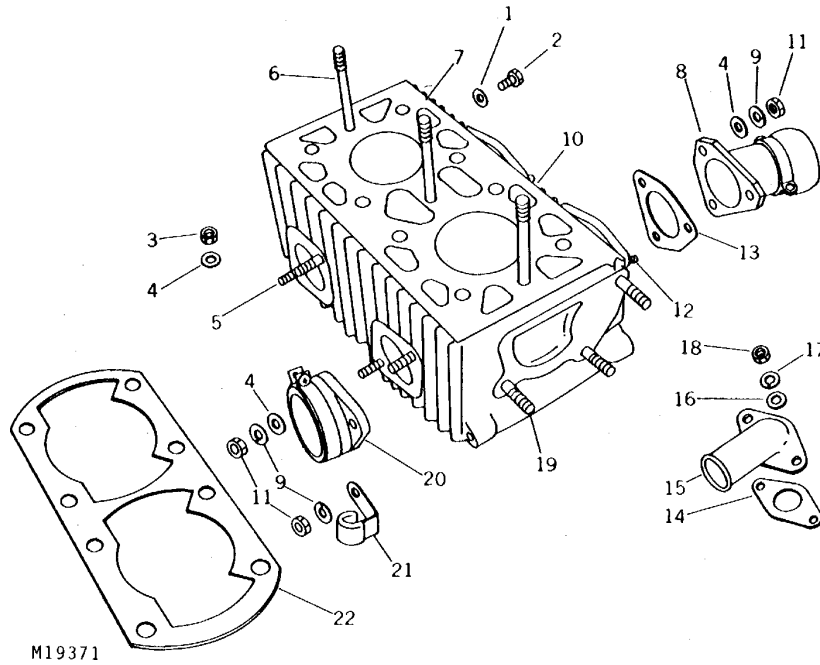
KEY	PART NO.	PART NAME	QTY	SERIAL NO.	REMARKS
1	19M7139	CAP SCREW	4	M8 X 20	
2	12H303	LOCK WASHER	16	5/16"	
3	M66708	SHIELD	1		
4	AM54127	CRANKCASE	1		
5	M66701	STUD	6		
6	M66704	STUD	2		
7	M66709	PLUG	1		
8	M66706	CONNECTOR	1		
	M66705	PACKING	1		
9	M66703	PIN	4		
10	M66702	BOLT	12		
11	M66714	NUT	8		
12	24M7040	WASHER	8	11 X 20 X 2 MM	
13	24M7095	WASHER	16	8.400 X 15 X 1.600 MM	
14	14M7273	NUT	12	M8	
15	M47470	CLAMP	2	(SUB FOR AR21837)	
16	M66707	PIPE	1		
17	24M7105	WASHER	3	6 X 12 X 1.600 MM	
18	12H302	LOCK WASHER	3	1/4"	
19	21M7136	SCREW	3	M6 X 35	
20	M66625	COVER	1		
..	AM54175	KIT	1	TOOL	

G19

SNOWMOBILE - LIQUIDATOR

CYLINDER ASSEMBLY AND EXHAUST MANIFOLDS

M19371 -UN-01JAN94



KEY	PART NO.	PART NAME	QTY	SERIAL NO.	REMARKS
1	M66565	GASKET	1		
2	19M6614	CAP SCREW	1	M6 X 12	
3	14M7273	NUT	3	M8	
4	24M7095	WASHER	15	8.400 X 15 X 1.600 MM	
5	M66589	STUD	4		
6	M66735	BOLT	3		
7	AM54128	CYLINDER	1		
8	AM54112	EXHAUST MANIFOLD	1	(IGN)	
	AM54137	EXHAUST MANIFOLD	1	(PTO)	
9	12H303	LOCK WASHER	15	5/16"	
10	M66710	STUD	2		
11	14M7273	NUT	10	M8	
12	M63555	STUD	6		
13	M66573	GASKET	2		
14	M66717	PACKING	1		
15	M66718	ADAPTER	1		
16	24M7105	WASHER	1	6 X 12 X 1.600 MM	
17	12H302	LOCK WASHER	1	1/4"	
18	14M7272	NUT	1	M6	
19	M66561	BOLT	3		
20	AM54184	FLANGE	1	(INCLUDES CLAMP AND HARDWARE)	
21	M66711	CLAMP	3		
22	M66716	GASKET	1		
..	AM54130	GASKET KIT	1	(INCLUDES M66715, M66716 AND (2) M66573)	

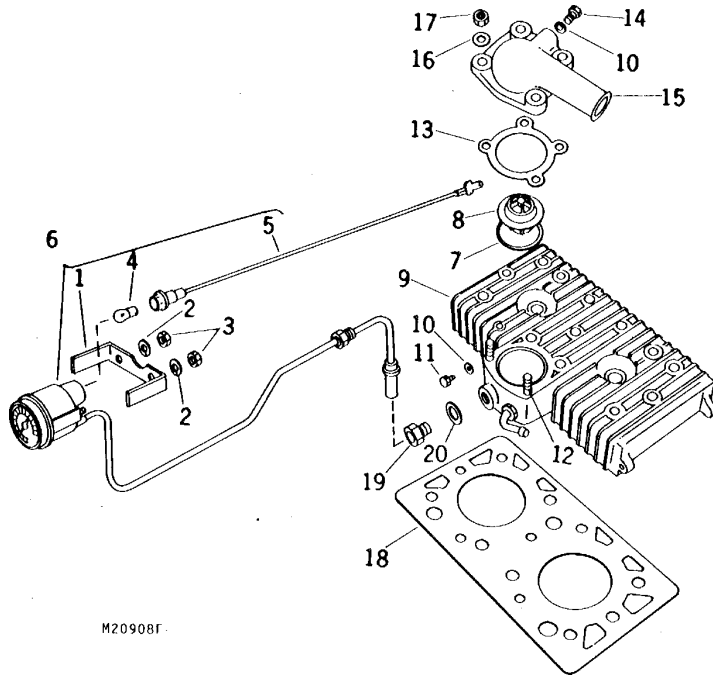
G20

SNOWMOBILE - LIQUIDATOR

M20908

-UN-01JAN94

CYLINDER HEAD AND TEMPERATURE GAUGE



M20908F

KEY	PART NO.	PART NAME	QTY	SERIAL NO.	REMARKS
1	M66543	BRACKET	1		
2	12H246	LOCK WASHER	2	0.190"	
3	14H631	NUT	2	0.190"	
4	AT22970	BULB	1		
5	AM54078	HOLDER	1		
6	AM53799	INSTRUMENT	1		
7	M66712	PACKING	1		
8	AM54096	THERMOSTAT	1		
9	AM54129	CYLINDER HEAD	1		
10	M66565	GASKET	1		
11	19M6614	CAP SCREW	1	M6 X 12	
12	M66713	STUD	1		
13	M66724	PACKING	1		
14	19M7560	CAP SCREW	1	6 MM X 15 MM	
15	M66725	ADAPTER	1		
16	24M7095	WASHER	1	8.400 X 15 X 1.600 MM	
17	14M7273	NUT	2	M8	
18	M66715	GASKET	1		
19	M66187	ADAPTER	1		
20	M66568	GASKET	1		

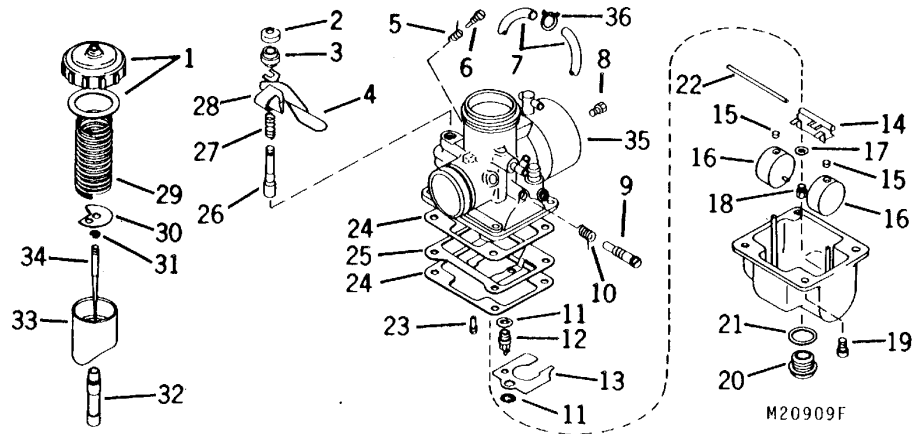
G21

SNOWMOBILE - LIQUIDATOR

M20909

-UN-01JAN94

CARBURETOR



M20909F

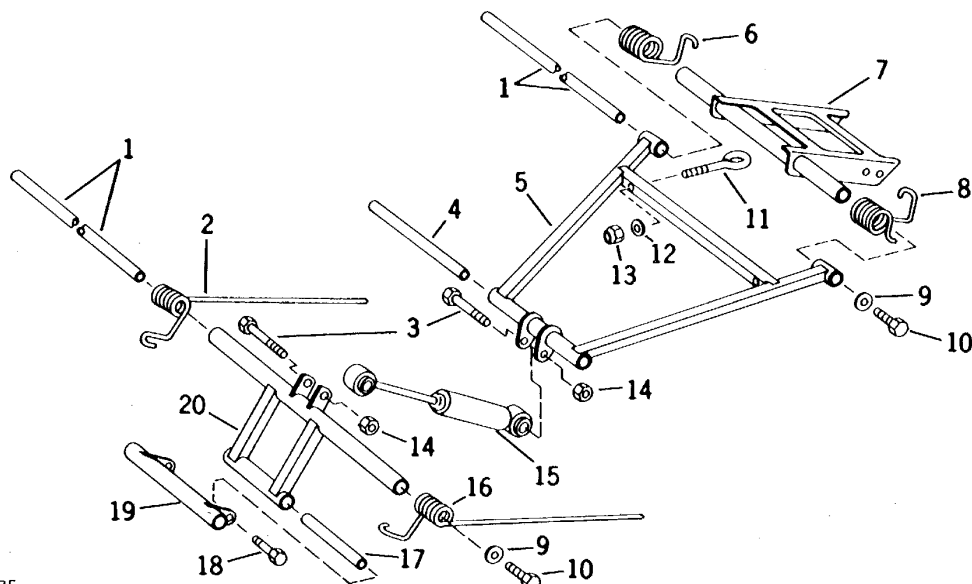
KEY	PART NO.	PART NAME	QTY	SERIAL NO.	REMARKS
1	M66737	FILLER CAP	1		
2	M66731	CAP	1		
3	M66730	CAP	1		
4	AM54154	LEVER	1		
5	M65341	SPRING	1		
6	M65342	SCREW	1		
7	TUBE	1	(SUB M63270)	
8	M66033	NOZZLE	1		
9	M65349	SCREW	1		
10	M65350	SPRING	1		
11	M65339	WASHER	2		
12	AM53358	VALVE	1		
13	M66652	PLATE	1		
14	M66662	ARM	1		
15	M66653	CAP	2		
16	M66657	FLOAT	2		
17	M66655	WASHER	1		
18	M65472	INJECTION NOZZLE	1	(210)	
	M65852	INJECTION NOZZLE	1	(220)	
	M65882	INJECTION NOZZLE	1	(230)	
	M65853	INJECTION NOZZLE	1	(240)	
	M65854	INJECTION NOZZLE	1	(250)	
	M65855	INJECTION NOZZLE	1	(260)	
	M65883	INJECTION NOZZLE	1	(270)	
	M65884	INJECTION NOZZLE	1	(280)	
	M66324	INJECTION NOZZLE	1	(290)	
19	21M7022	SCREW	4	M5 X 20	
	12H246	LOCK WASHER	4	0.190"	
20	M66342	SCREW	1		
21	M66343	O-RING	1		
22	M65338	PIN	1		
23	M65355	INJECTION NOZZLE	1	(40)	
24	M66664	GASKET	2		
25	M66651	PLATE	1		
26	M66732	VALVE	1		
27	M66699	SPRING	1		
28	M66698	SPRING	1		
29	M65353	SPRING	1		
30	M66654	PLATE	1		
31	M65352	RING	1		
32	M66894	INJECTION NOZZLE	1		
33	M66888	VALVE	1		
34	M66928	NEEDLE	1		
35	M66666	TUBE	1		
36	M64254	CLAMP	4		
..	AM54037	CARBURETOR	1		

G22

SNOWMOBILE - LIQUIDATOR

SLIDE SUSPENSION SWING ARMS

M23227F -UN-01JAN94



H23227F

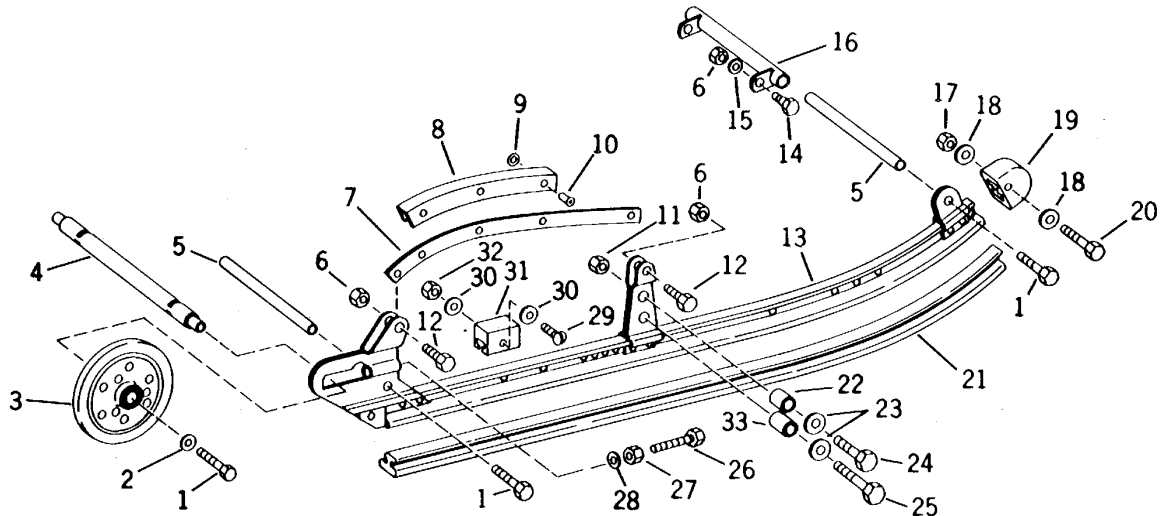
KEY	PART NO.	PART NAME	QTY	SERIAL NO.	REMARKS
1	M67157	PIN	2		
	M67790	PIN	2	(OPTIONAL)	
2	M67163	SPRING	1		L.H.
3	19H1899	CAP SCREW	2	7/16" X 2"	
4	M67070	PIN	3		
5	AM54413	ARM	1		
6	M67159	SPRING	1		L.H.
7	AM54414	HINGE	1		
8	M67158	SPRING	1		R.H.
9	24H1327	WASHER	4	15/32" X 1-1/8" X 7/64"	
10	M64553	BOLT	4		
11	M67164	EYEBOLT	2		
12	24H1136	WASHER	2	11/32" X 11/16" X 0.065"	
13	M63277	LOCK NUT	2		
14	M64832	LOCK NUT	2		
15	AM54415	ABSORBER	1		
16	M67162	SPRING	1		R.H.
17	M67071	PIN	1		
18	19H1822	CAP SCREW	2	7/16" X 1"	
19	AM54369	TUBE	2		
20	AM54412	ARM	1		

G23

SNOWMOBILE - LIQUIDATOR

M23228F -UN-01JAN94

SLIDE SUSPENSION SLIDE RAILS



M23228F

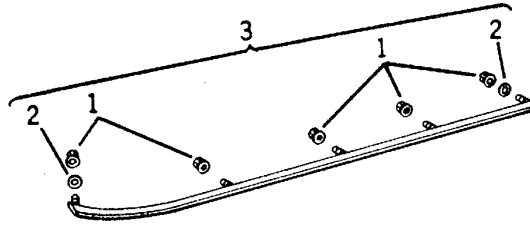
KEY	PART NO.	PART NAME	QTY	SERIAL NO.	REMARKS
1	19H2284	CAP SCREW	6		3/8" X 7/8"
2	24H1308	WASHER	4		13/32" X 1" X 0.134"
3	AM52952	WHEEL	2		
4	M67160	AXLE	1		
5	M67070	PIN	3		
6	M63277	LOCK NUT	6		
7	M67666	GUIDE	2		
8	M67143	RUNNER	2		
9	24H1283	WASHER	6		7/32" X 1/2" X 0.049"
10	M67145	RIVET	3		
11	M63440	LOCK NUT	2		
12	19H2127	CAP SCREW	4		5/16" X 7/8"
13	AM54411	RAIL	2		
14	M67161	BOLT	2		
15	24H1136	WASHER	2		11/32" X 11/16" X 0.065"
16	AM54369	TUBE	2		
17	M63707	LOCK NUT	2		
18	24H1286	WASHER	4		9/32" X 1/2" X 1/16"
19	M67140	CAP	2		
20	19H1996	CAP SCREW	2		1/4" X 2"
21	M64480	BAR	2		
22	M67596	BUSHING	2		
23	24H1307	WASHER	4		13/32" X 1" X 1/16"
24	19H1765	CAP SCREW	2		3/8" X 1-3/4"
25	19H1773	CAP SCREW	2		7/16" X 1-1/8"
26	19H3118	CAP SCREW	2		3/8" X 4-1/2"
27	14H812	NUT	2		3/8"
28	24H1308	WASHER	4		13/32" X 1" X 0.134"
29	21H1199	SCREW	4		0.190" X 1-3/4"
30	24H1283	WASHER	8		7/32" X 1/2" X 0.049"
31	M67066	BUMPER	4		
32	M63662	LOCK NUT	4		
33	M67165	BUSHING	1		

G24

SNOWMOBILE - LIQUIDATOR

CARBIDE WEAR ROD KIT (CROSS COUNTRY RACING)

M22273F -UN-01JAN94

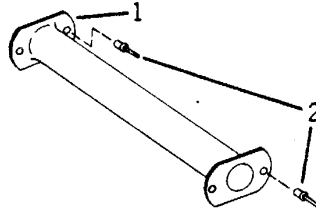


M22273F

KEY	PART NO.	PART NAME	QTY	SERIAL NO.	REMARKS
1	M67132	LOCK NUT	1		
2	24H1176	WASHER	1		13/32" X 1-1/4" X 0.100"
3	AM54400	KIT	1		CARBIDE WEAR ROD (INCLUDES (10) NUTS, (4) WASHERS AND (2) RODS)

TOE HOLD KIT

M22274F -UN-01JAN94



M22274F

KEY	PART NO.	PART NAME	QTY	SERIAL NO.	REMARKS
1	AM54399	SUPPORT	2		(NOT AVAILABLE)
2	M63200	RIVET	8		
..	AM54398	KIT	1		TOE HOLD

UPDATE KIT (NOT ILLUSTRATED)

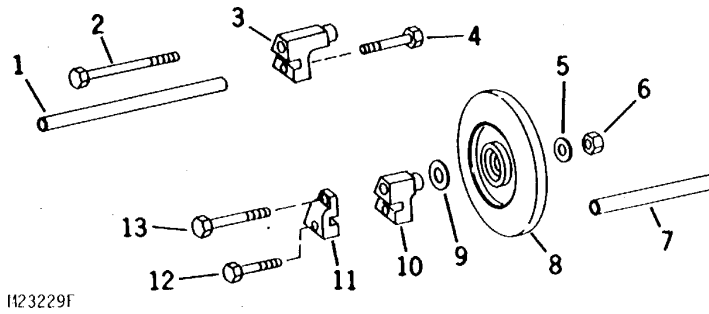
KEY	PART NO.	PART NAME	QTY	SERIAL NO.	REMARKS
..	AM54168	KIT	1		CLUTCH ARM
..	M66500	INJECTION NOZZLE	2		
..	M66715	GASKET	1		
..	M66716	GASKET	1		
..	M66757	SUPPORT	1		
..	12H337	LOCK WASHER	4		1/2"
..	19H2058	CAP SCREW	2		7/16" X 3-3/4"
..	24H1327	WASHER	2		15/32" X 1-1/8" X 7/64"
..	AM54188	KIT	1		UPDATE (INCLUDES PARTS LISTED ABOVE)

G25

SNOWMOBILE - LIQUIDATOR

M23229F -UN-01JAN94

IDLER WHEEL KIT

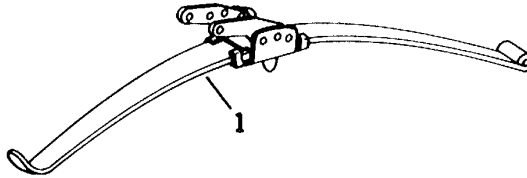


M23229F

KEY	PART NO.	PART NAME	QTY	SERIAL NO.	REMARKS
1	M67639	SHAFT	1		
2	19H1912	CAP SCREW	2	3/8" X 3-1/2"	
3	M67131	SUPPORT	2	(FRONT)	
4	19H1901	CAP SCREW	2	5/16" X 2"	
5	24H1308	WASHER	6	13/32" X 1" X 0.134"	
6	M63440	LOCK NUT	4		
7	M67638	SHAFT	1		
8	AM54402	WHEEL	6		
9	24H1375	WASHER	6	11/16" X 1-1/8" X 0.060"	
10	M67637	SUPPORT	4	(CENTER AND REAR)	
11	M67130	SUPPORT	6		
12	19H1906	CAP SCREW	4	5/16" X 1-1/2"	
13	19H1944	CAP SCREW	4	3/8" X 2-3/4"	
..	AM54401	KIT	1	IDLER WHEEL	

SKI SPRING ASSEMBLY, MONOLEAF

M23230F -UN-01JAN94



M23230F

KEY	PART NO.	PART NAME	QTY	SERIAL NO.	REMARKS
1	AM54404	SPRING ASSEMBLY	1		

H22

SNOWMOBILE - LIQUIDATOR

NUMERICAL INDEX

PART NO.	GRID	KEY	PAGE	PART NO.	GRID	KEY	PAGE	PART NO.	GRID	KEY	PAGE
AM36141	F20	17	21	AM53842	F25	22	26	AM54103	F4	17	5
AM52053	G7	26	33	AM53849	F13	3	14	AM54105	F18	14	19
AM52054	F14	9	15	AM53850	F11	5	12	AM54112	G19	8	45
AM52297	F4	21	5	AM53862	G15	11	41	AM54113	F8	19	9
AM52305	G8	8	34	AM53862	G15	14	41	AM54113	G7	19	33
AM52311	G7	18	33	AM53863	G9	5	35	AM54115	G15	7	41
AM52312	G7	22	33	AM53869	F15	17	16	AM54124	G13	12	39
AM52340	G7	15	33	AM53870	F15	11	16	AM54125	G13	4	39
AM52449	G9	4	35	AM53873	F9	21	10	AM54126	G13	6	39
AM52619	G8	5	34	AM53881	F6	16	7	AM54127	G18	4	44
AM52663	F13	6	14	AM53886	F12	19	13	AM54128	G19	7	45
AM52847	G9	6	35	AM53887	F7	11	8	AM54129	G20	9	46
AM52913	G2	4	28	AM53888	F7	11	8	AM54130	G19	..	45
AM52952	G3	1	29	AM53889	F7	12	8	AM54131	G14	14	40
AM52952	G23	3	49	AM53890	F7	9	8	AM54134	F11	1	12
AM52971	F16	14	17	AM53897	F16	14	17	AM54135	F14	12	15
AM53000	F25	6	26	AM53919	F8	6	9	AM54136	F9	17	10
AM53002	F25	14	26	AM53923	F7	14	8	AM54137	G19	8	45
AM53193	G9	8	35	AM53927	G8	1	34	AM54145	G13	1	39
AM53358	G21	12	47	AM53928	G7	28	33	AM54147	F21	..	22
AM53367	F9	9	10	AM53930	G7	11	33	AM54150	F23	18	24
AM53380	F15	15	16	AM53932	G7	3	33	AM54150	F23	22	24
AM53381	F15	5	16	AM53942	F25	1	26	AM54150	F24	17	25
AM53413	G3	2	29	AM53943	F11	4	12	AM54150	F24	18	25
AM53432	G9	7	35	AM53946	F6	20	7	AM54152	F14	..	15
AM53439	G3	6	29	AM53958	F9	11	10	AM54153	G4	1	30
AM53491	G5	3	31	AM53968	F17	2	18	AM54154	G21	4	47
AM53497	F12	..	13	AM53990	F25	..	26	AM54155	F7	20	8
AM53499	F12	24	13	AM53991	F25	23	26	AM54156	F10	..	11
AM53544	G13	1	39	AM53992	F25	15	26	AM54158	F12	..	13
AM53554	G1	16	27	AM54004	G15	14	41	AM54159	F12	23	13
AM53554	G9	9	35	AM54005	G15	18	41	AM54160	G3	10	29
AM53576	F21	11	22	AM54015	G1	7	27	AM54164	F4	32	5
AM53578	F16	15	17	AM54017	G3	5	29	AM54164	F7	21	8
AM53582	F9	1	10	AM54019	F17	3	18	AM54167	F25	5	26
AM53586	F12	12	13	AM54021	F4	1	5	AM54168	F25	3	26
AM53625	G5	27	31	AM54026	F18	1	19	AM54168	F25	5	26
AM53629	G3	12	29	AM54027	G12	12	38	AM54168	G24	..	50
AM53634	G15	24	41	AM54028	G12	3	38	AM54170	G3	23	29
AM53639	G9	1	35	AM54029	G12	2	38	AM54171	G3	23	29
AM53641	F12	20	13	AM54037	G21	..	47	AM54172	F23	23	24
AM53646	G15	7	41	AM54038	F6	9	7	AM54175	G18	..	44
AM53660	F12	5	13	AM54046	G5	29	31	AM54180	F18	2	19
AM53661	F12	16	13	AM54047	G5	22	31	AM54181	F11	10	12
AM53669	G4	1	30	AM54050	G3	16	29	AM54182	F11	..	12
AM53708	G2	..	28	AM54050	G6	3	32	AM54184	G19	20	45
AM53730	F19	12	20	AM54051	F20	9	21	AM54188	G24	..	50
AM53745	F13	1	14	AM54056	F5	10	6	AM54189	F7	..	8
AM53746	F13	2	14	AM54059	F16	4	17	AM54192	F23	4	24
AM53752	G15	31	41	AM54060	G1	6	27	AM54202	F4	24	5
AM53753	G15	1	41	AM54063	F8	21	9	AM54204	F9	21	10
AM53755	G15	6	41	AM54063	G7	21	33	AM54211	F9	1	10
AM53760	F14	1	15	AM54064	F16	15	17	AM54216	G2	1	28
AM53761	F14	7	15	AM54065	F16	18	17	AM54238	G15	14	41
AM53766	F14	5	15	AM54066	F16	23	17	AM54240	G15	18	41
AM53767	F14	6	15	AM54069	F8	7	9	AM54248	F25	..	26
AM53787	G15	12	41	AM54076	F16	19	17	AM54249	G13	3	39
AM53799	G20	6	46	AM54078	G20	5	46	AM54253	F16	14	17
AM53810	F10	2	11	AM54081	F4	22	5	AM54262	G7	28	33
AM53812	G7	27	33	AM54082	F6	15	7	AM54263	G7	27	33
AM53814	F4	24	5	AM54085	G11	11	37	AM54267	F25	23	26
AM53815	F4	24	5	AM54086	F25	4	26	AM54268	G13	3	39
AM53819	F6	2	7	AM54087	F19	1	20	AM54291	F17	9	18
AM53822	F11	6	12	AM54096	G20	8	46	AM54292	F18	13	19
AM53832	F6	9	7	AM54098	G15	17	41	AM54299	F22	9	23
AM53832	F6	27	7	AM54100	F19	8	20	AM54305	F25	9	26
AM53834	F20	4	21	AM54101	G6	..	32	AM54306	F25	5	26

H23

SNOWMOBILE - LIQUIDATOR

NUMERICAL INDEX - CONTINUED

PART NO.	GRID	KEY	PAGE	PART NO.	GRID	KEY	PAGE	PART NO.	GRID	KEY	PAGE
AM54307	F25	7	26	M63228	F24	9	25	M63589	G15	26	41
AM54308	F25	8	26	M63228	G1	2	27	M63616	G17	9	43
AM54325	F6	9	7	M63232	F16	6	17	M63655	F9	13	10
AM54327	F6	8	7	M63270	F18	3	19	M63661	F4	23	5
AM54328	G2	..	28	M63270	F20	10	21	M63662	F7	28	8
AM54369	G22	19	48	M63270	F20	14	21	M63662	G3	22	29
AM54369	G23	16	49	M63270	F20	16	21	M63662	G23	32	49
AM54373	G3	11	29	M63270	F21	5	22	M63678	F23	10	24
AM54398	G24	..	50	M63270	F21	19	22	M63704	G7	23	33
AM54399	G24	1	50	M63270	F22	4	23	M63705	F4	30	5
AM54400	G24	3	50	M63270	F22	5	23	M63707	F4	19	5
AM54401	G25	..	51	M63270	F22	7	23	M63707	F4	25	5
AM54402	G25	8	51	M63270	G21	7	47	M63707	F5	1	6
AM54404	G25	1	51	M63277	F4	4	5	M63707	F6	1	7
AM54406	F9	28	10	M63277	F5	17	6	M63707	F7	26	8
AM54407	F6	15	7	M63277	F6	23	7	M63707	F8	8	9
AM54411	G23	13	49	M63277	F8	10	9	M63707	F18	17	19
AM54412	G22	20	48	M63277	F9	23	10	M63707	F19	9	20
AM54413	G22	5	48	M63277	F17	5	18	M63707	F22	1	23
AM54414	G22	7	48	M63277	F17	13	18	M63707	G8	4	34
AM54415	G22	15	48	M63277	F18	9	19	M63707	G23	17	49
AM54629	F5	10	6	M63277	F21	14	22	M63722	F13	5	14
AM54872	G1	7	27	M63277	F22	11	23	M63775	G8	2	34
AM55301	G1	16	27	M63277	F23	2	24	M63776	G8	3	34
AM55301	G9	9	35	M63277	F24	14	25	M63806	F9	10	10
AR21837	G18	15	44	M63277	G1	9	27	M63807	F9	4	10
AR21839	G14	12	40	M63277	G2	3	28	M63807	F12	8	13
AR21840	G14	3	40	M63277	G2	5	28	M63816	G8	6	34
AR21842	F7	18	8	M63277	G3	20	29	M63861	F4	23	5
AR48041	G8	5	34	M63277	G5	2	31	M63876	F4	10	5
AR54815	F18	11	19	M63277	G7	30	33	M63905	F9	3	10
AT14927	G3	12	29	M63277	G11	8	37	M63905	F12	9	13
AT14927	G4	1	30	M63277	G12	6	38	M63906	F9	8	10
AT22970	G20	4	46	M63277	G22	13	48	M64141	G1	13	27
E55662	G4	2	30	M63277	G23	6	49	M64141	G2	8	28
H64373	F24	5	25	M63278	F16	8	17	M64141	G9	11	35
H64612	F7	13	8	M63279	F16	16	17	M64142	G1	15	27
JD5273	G17	13	43	M63296	F14	10	15	M64142	G9	10	35
JD8551	G2	5	28	M63296	G7	16	33	M64238	G5	11	31
JD8555	G1	4	27	M63297	F14	11	15	M64242	G5	8	31
JD8562	F24	3	25	M63297	G7	17	33	M64254	F18	5	19
J16931	F19	5	20	M63298	G7	24	33	M64254	F20	13	21
M17841	F16	22	17	M63300	G7	14	33	M64254	F21	2	22
M40333	F25	20	26	M63300	G15	8	41	M64254	F22	6	23
M43459	F14	1	15	M63301	G7	25	33	M64254	G21	36	47
M43459	F14	2	15	M63306	G1	13	27	M64407	F16	10	17
M43835	F14	8	15	M63306	G2	8	28	M64468	F6	19	7
M44311	F21	18	22	M63306	G9	11	35	M64480	G3	14	29
M44477	F21	8	22	M63348	F4	18	5	M64480	G23	21	49
M47470	F22	10	23	M63356	F7	16	8	M64483	G3	26	29
M47470	G14	17	40	M63368	G11	2	37	M64553	G5	9	31
M47470	G18	15	44	M63370	F16	11	17	M64553	G22	10	48
M48858	G12	8	38	M63389	F6	28	7	M64575	F9	16	10
M49835	F14	4	15	M63440	F11	3	12	M64607	F25	12	26
M63052	F16	13	17	M63440	F15	4	16	M64630	F20	15	21
M63059	F4	11	5	M63440	G5	17	31	M64655	G13	11	39
M63110	F8	17	9	M63440	G6	1	32	M64720	F4	2	5
M63132	F23	19	24	M63440	G23	11	49	M64720	F6	7	7
M63138	G1	14	27	M63440	G25	6	51	M64720	F7	..	8
M63147	F9	5	10	M63450	F7	15	8	M64720	F17	1	18
M63174	F16	9	17	M63450	G8	7	34	M64720	F21	9	22
M63177	F6	14	7	M63542	G13	8	39	M64832	G5	28	31
M63200	F4	6	5	M63555	G19	12	45	M64832	G22	14	48
M63200	F5	8	6	M63576	G17	5	43	M64837	G2	9	28
M63200	F19	7	20	M63577	G17	6	43	M64849	G17	7	43
M63200	F20	7	21	M63580	G17	11	43	M64853	G17	8	43
M63200	G24	2	50	M63581	G17	10	43	M65217	G3	11	29

H24

SNOWMOBILE - LIQUIDATOR

NUMERICAL INDEX - CONTINUED

PART NO.	GRID	KEY	PAGE	PART NO.	GRID	KEY	PAGE	PART NO.	GRID	KEY	PAGE
M65217	G3	12	29	M65980	F5	12	6	M66316	F4	5	5
M65279	F9	6	10	M65984	F17	10	18	M66317	F4	3	5
M65319	F9	29	10	M65985	G16	4	42	M66321	F23	17	24
M65319	F10	1	11	M66005	F21	3	22	M66322	F23	7	24
M65325	F19	3	20	M66033	G21	8	47	M66323	F23	16	24
M65327	F10	7	11	M66078	F5	18	6	M66324	G21	18	47
M65328	F10	5	11	M66079	F8	16	9	M66338	F19	2	20
M65329	F10	6	11	M66080	F8	18	9	M66342	G21	20	47
M65330	F10	4	11	M66108	F5	15	6	M66343	G21	21	47
M65338	G21	22	47	M66111	G17	19	43	M66345	F25	30	26
M65339	G21	11	47	M66117	F10	3	11	M66349	F24	12	25
M65341	G21	5	47	M66122	F23	17	24	M66350	F23	13	24
M65342	G21	6	47	M66123	F23	17	24	M66350	F25	29	26
M65349	G21	9	47	M66125	F24	2	25	M66358	F20	12	21
M65350	G21	10	47	M66126	F23	4	24	M66358	F21	6	22
M65352	G21	31	47	M66127	F23	14	24	M66359	F20	3	21
M65353	G21	29	47	M66128	F23	20	24	M66360	F20	2	21
M65355	G21	23	47	M66129	F24	6	25	M66375	F7	22	8
M65420	F7	5	8	M66131	F8	13	9	M66378	F25	21	26
M65472	G21	18	47	M66132	F11	11	12	M66381	F25	16	26
M65584	F7	19	8	M66133	F23	19	24	M66384	F25	24	26
M65595	F20	1	21	M66134	F24	4	25	M66385	F25	19	26
M65660	G15	32	41	M66140	F5	16	6	M66402	F6	17	7
M65672	F5	14	6	M66142	F7	8	8	M66403	F6	17	7
M65674	F7	23	8	M66143	F7	3	8	M66404	F6	26	7
M65693	F23	16	24	M66144	F6	16	7	M66405	F6	26	7
M65742	G5	5	31	M66146	G2	7	28	M66408	F4	8	5
M65748	G5	25	31	M66149	F20	6	21	M66411	G1	8	27
M65749	G5	25	31	M66150	F6	18	7	M66412	G3	13	29
M65750	G5	15	31	M66151	F6	18	7	M66415	F8	1	9
M65751	G5	15	31	M66155	G12	1	38	M66417	F6	11	7
M65760	G5	21	31	M66170	F25	28	26	M66451	F9	2	10
M65761	G5	18	31	M66183	F17	6	18	M66455	F18	6	19
M65796	F21	1	22	M66186	F8	15	9	M66456	F18	7	19
M65809	F23	16	24	M66187	G20	19	46	M66457	F18	4	19
M65810	F23	16	24	M66189	F15	8	16	M66459	G3	21	29
M65814	G5	20	31	M66191	F23	11	24	M66460	G3	17	29
M65815	G5	4	31	M66193	F23	12	24	M66461	G5	19	31
M65816	G5	16	31	M66194	F15	13	16	M66462	G3	24	29
M65817	G5	26	31	M66195	F15	3	16	M66483	F4	29	5
M65835	F15	9	16	M66197	F5	9	6	M66485	F15	3	16
M65836	G5	24	31	M66216	F23	8	24	M66487	G11	7	37
M65847	G3	12	29	M66218	F4	9	5	M66500	G24	..	50
M65852	G21	18	47	M66221	F20	11	21	M66508	F4	31	5
M65853	G21	18	47	M66234	F7	1	8	M66510	F4	29	5
M65854	G21	18	47	M66235	F7	10	8	M66511	G16	5	42
M65855	G21	18	47	M66237	F24	13	25	M66512	F19	13	20
M65865	F5	13	6	M66245	F16	2	17	M66513	F17	11	18
M65866	F12	21	13	M66249	F5	11	6	M66518	F25	18	26
M65871	F25	25	26	M66256	F7	4	8	M66519	F25	17	26
M65877	G15	30	41	M66257	F7	7	8	M66525	F19	4	20
M65882	G21	18	47	M66263	F6	12	7	M66526	F19	11	20
M65883	G21	18	47	M66264	F6	13	7	M66528	F4	20	5
M65884	G21	18	47	M66267	F24	16	25	M66529	F4	20	5
M65928	F12	22	13	M66268	F20	5	21	M66530	F6	29	7
M65929	F12	13	13	M66269	F8	14	9	M66531	F6	29	7
M65930	F12	7	13	M66270	G7	3	33	M66537	G1	12	27
M65931	F12	4	13	M66270	G7	7	33	M66537	G2	3	28
M65933	F12	3	13	M66271	G7	3	33	M66543	G20	1	46
M65934	F12	5	13	M66271	G7	8	33	M66552	F18	19	19
M65934	F12	6	13	M66272	F20	8	21	M66561	G19	19	45
M65935	F12	18	13	M66280	F16	17	17	M66565	F18	22	19
M65936	F12	17	13	M66298	G7	1	33	M66565	G14	2	40
M65975	G17	4	43	M66302	F23	7	24	M66565	G19	1	45
M65976	G17	17	43	M66303	F23	7	24	M66565	G20	10	46
M65977	G17	18	43	M66314	F5	7	6	M66568	G20	20	46
M65978	F23	24	24	M66314	G12	4	38	M66573	G19	13	45

H25

SNOWMOBILE - LIQUIDATOR

NUMERICAL INDEX - CONTINUED

PART NO.	GRID	KEY	PAGE	PART NO.	GRID	KEY	PAGE	PART NO.	GRID	KEY	PAGE
M66573	G19	..	45	M66720	G14	13	40	M68457	G2	3	28
M66582	F18	21	19	M66721	G14	5	40	M68477	F9	5	10
M66582	G14	1	40	M66723	G17	1	43	M80293	F24	10	25
M66589	G19	5	45	M66724	G20	13	46	M80293	G1	3	27
M66590	G15	10	41	M66725	G20	15	46	N10010	F5	6	6
M66591	G15	9	41	M66726	G17	12	43	N10010	F6	24	7
M66592	G15	13	41	M66727	G15	32	41	N10010	F8	5	9
M66606	F4	31	5	M66728	G15	16	41	N10010	F9	25	10
M66607	F8	20	9	M66729	G15	22	41	N10010	F21	4	22
M66607	G7	20	33	M66730	G21	3	47	N10010	G7	29	33
M66621	G13	2	39	M66731	G21	2	47	N110223	F23	18	24
M66623	G14	8	40	M66732	G21	26	47	N132422	F9	19	10
M66624	G16	6	42	M66733	G13	5	39	PT560	G10	..	36
M66625	G18	20	44	M66734	G15	25	41	R11027	F9	14	10
M66627	F19	6	20	M66735	G19	6	45	R30828	F9	7	10
M66631	F5	15	6	M66737	G21	1	47	R32019	F14	3	15
M66632	G12	7	38	M66757	F4	14	5	TY9300	G10	..	36
M66633	F7	27	8	M66757	G24	..	50	U42111	F24	11	25
M66634	F4	16	5	M66759	F4	14	5	U42111	G1	5	27
M66634	F7	25	8	M66761	F11	9	12				
M66637	F18	10	19	M66764	F11	8	12				
M66639	F21	7	22	M66765	F7	..	8				
M66640	F21	13	22	M66766	F7	..	8				
M66641	F21	17	22	M66767	F7	..	8				
M66642	F21	10	22	M66774	F6	20	7				
M66643	F21	12	22	M66775	F17	12	18				
M66648	G3	10	29	M66776	F17	8	18				
M66650	F7	18	8	M66805	G11	4	37				
M66651	G21	25	47	M66807	F17	4	18				
M66652	G21	13	47	M66848	F4	15	5				
M66653	G21	15	47	M66861	F18	12	19				
M66654	G21	30	47	M66862	G14	16	40				
M66655	G21	17	47	M66864	G11	1	37				
M66657	G21	16	47	M66865	G11	5	37				
M66662	G21	14	47	M66866	F22	2	23				
M66664	G21	24	47	M66888	G21	33	47				
M66666	G21	35	47	M66894	G21	32	47				
M66668	F7	17	8	M66928	G21	34	47				
M66690	G12	11	38	M66965	F25	11	26				
M66691	F12	15	13	M66982	F6	10	7				
M66692	F25	10	26	M66987	F15	8	16				
M66698	G21	28	47	M67066	G23	31	49				
M66699	G21	27	47	M67070	G22	4	48				
M66700	G13	7	39	M67070	G23	5	49				
M66701	G18	5	44	M67071	G22	17	48				
M66702	G18	10	44	M67130	G25	11	51				
M66703	G18	9	44	M67131	G25	3	51				
M66704	G18	6	44	M67132	G24	1	50				
M66705	G18	8	44	M67140	G23	19	49				
M66706	G18	8	44	M67143	G23	8	49				
M66707	G18	16	44	M67145	G23	10	49				
M66708	G18	3	44	M67157	G22	1	48				
M66709	G18	7	44	M67158	G22	8	48				
M66710	G19	10	45	M67159	G22	6	48				
M66711	G19	21	45	M67160	G23	4	49				
M66712	G20	7	46	M67161	G23	14	49				
M66713	G20	12	46	M67162	G22	16	48				
M66714	G18	11	44	M67163	G22	2	48				
M66715	G19	..	45	M67164	G22	11	48				
M66715	G20	18	46	M67165	G23	33	49				
M66715	G24	..	50	M67596	G23	22	49				
M66716	G19	22	45	M67637	G25	10	51				
M66716	G19	..	45	M67638	G25	7	51				
M66716	G24	..	50	M67639	G25	1	51				
M66717	G19	14	45	M67666	G23	7	49				
M66718	G19	15	45	M67790	G22	1	48				
M66719	G14	4	40	M68457	G1	12	27				

