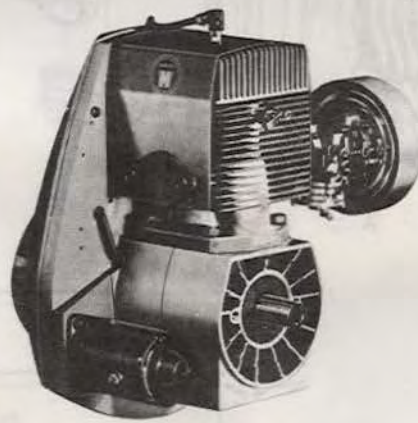




# Spare Parts List

ISSUE MM-328

**MODEL  
I94R**



**WISCONSIN MOTOR**

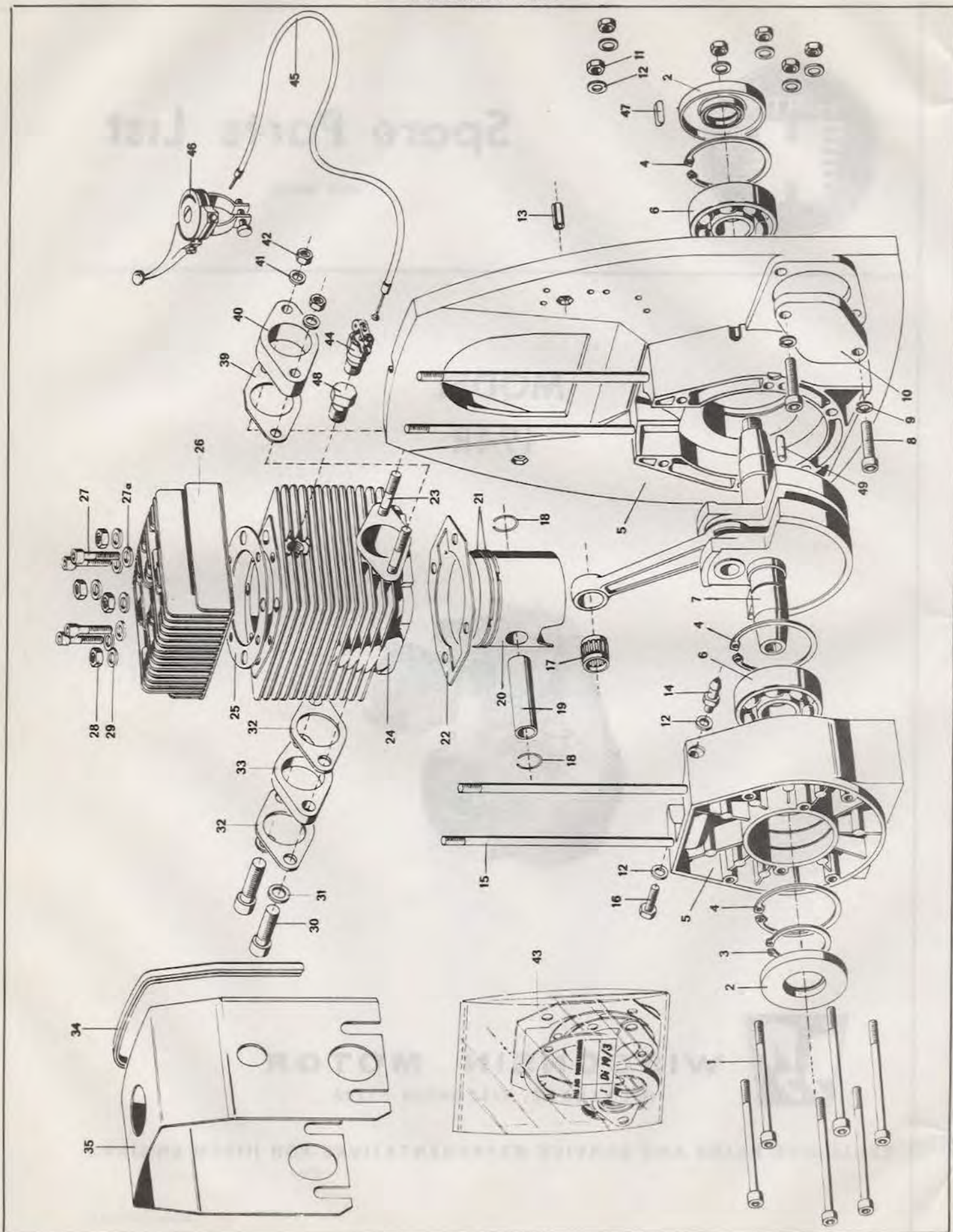
MILWAUKEE, WISCONSIN 53246

**EXCLUSIVE SALES AND SERVICE REPRESENTATIVES FOR HIRTH ENGINES**

Printed in U.S.A.

Figure 31

# MAIN ENGINE PARTS FOR MODEL 194R



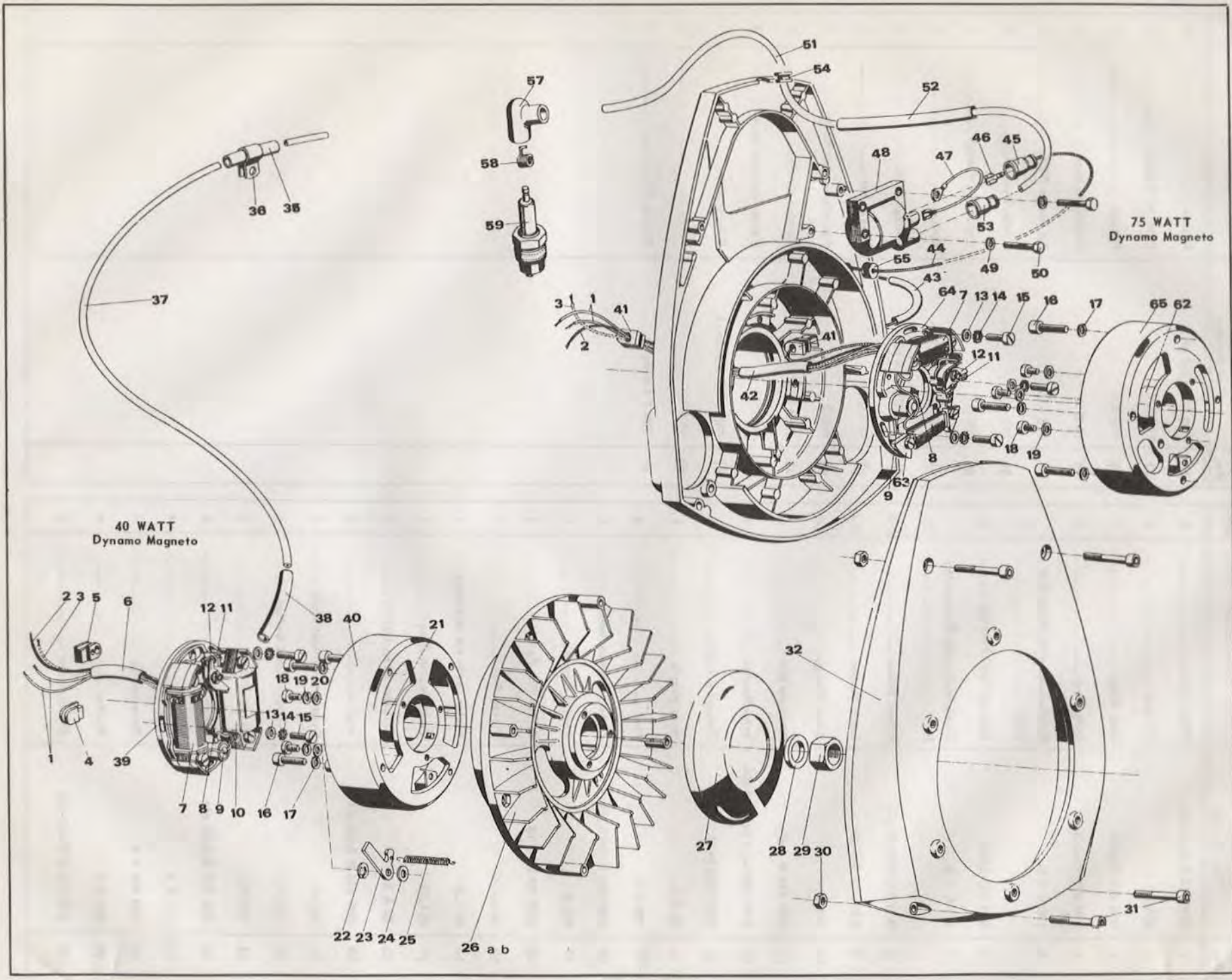
MAIN ENGINE PARTS  
FOR MODEL 194R

Figure 31

Ref. No.	Hirth Part Number	Description	Qty.	Ref. No.	Hirth Part Number	Description	Qty.
1	DIN 912 M 6x70 glz	Ellern Screw .....	6	31	DIN 433 10.5 glz.	Washer .....	2
2	055.21	Oil Seal .....	2	32	198 B 2	Exhaust Gasket .....	2
3	DIN 471 30x1.5	Snap Ring .....	1	33	198 B 1	Flange .....	1
4	DIN 472 72x2.5	Snap Ring .....	3	34	13 B 6	Profile Rubber .....	1
5	190 C 1 U	Crankcase, with flange and .. studs .....	1	35	193 L 1	Air Guide Plate .....	1
6	DIN 625 6306	Grooved Ball Bearing .....	2	39	207 A 2	Intake Gasket .....	1
7	191 C 1 U	Crankshaft, with Connecting Rod.....	1	40	207 A 1	Insulating Flange.....	1
8	DIN 912 M 8x30 glz	Ellern Screw .....	2-4	41	DIN 125 B 8.4 glz.	Washer .....	2
9	DIN 127 B 8 glz	Lock Washer .....	2-4	42	DIN 934 M 8 glz.	Hexagon Nut .....	2
10	195 A 1	Blind Flange.....	1-2	43	Di 19/3	Gasket Set.....	1
11	DIN 934 M 6 glz	Hexagon Nut .....	6	44	058.2	Decompression Valve .....	1
12	DIN 7603 A 6.5x9.5x1 AL	Joint Washer .....	8	45	17 M 1 U/450	Bowden Cable.....	1
13	DIN 7346 8x10	Clamping Sleeve.....	4	46	049.11	Clamp-Mounted Lever .....	1
14	50 K 4	Hose Nipple .....	1	47	DIN 6885 A 6x6x14	Fitting Key .....	1
15	190 B 5	Stud .....	4	48	19 S 1	Screw .....	1
16	DIN 933 M 6x10 glz	Screw, hexagon head .....	1	49	DIN 7 6 m 6x12	Fixing Pin.....	2
17	046.6	Needle Bearing.....	1				
18	DIN 73123 C 18	Piston Pin Retainer.....	2				
19	014.31/4	Piston Pin.....	1				
20	014.38	Piston, with pin and rings ....	1				
21	014.38/1	Compression Ring .....	2				
22	50 A 5	Cylinder Base Gasket .....	1				
23	DIN 835 M 8x45 glz	Stud .....	2				
24	192 N 1	Cylinder, without studs.....	1				
25	192 N 3	Cylinder Head Gasket .....	1				
26	192 N 2	Cylinder Head.....	1				
27	DIN 912 M 6x30 glz	Ellern Screw .....	4				
27a	212 A 5	Washer .....	4				
28	DIN 934 M 8	Hexagon Nut .....	4				
29	190 A 6	Washer .....	4				
30	DIN 912 M 10x35 glz	Ellern Screw .....	2				

Figure 32

MAIN IGNITION PARTS  
FOR MODEL 194R



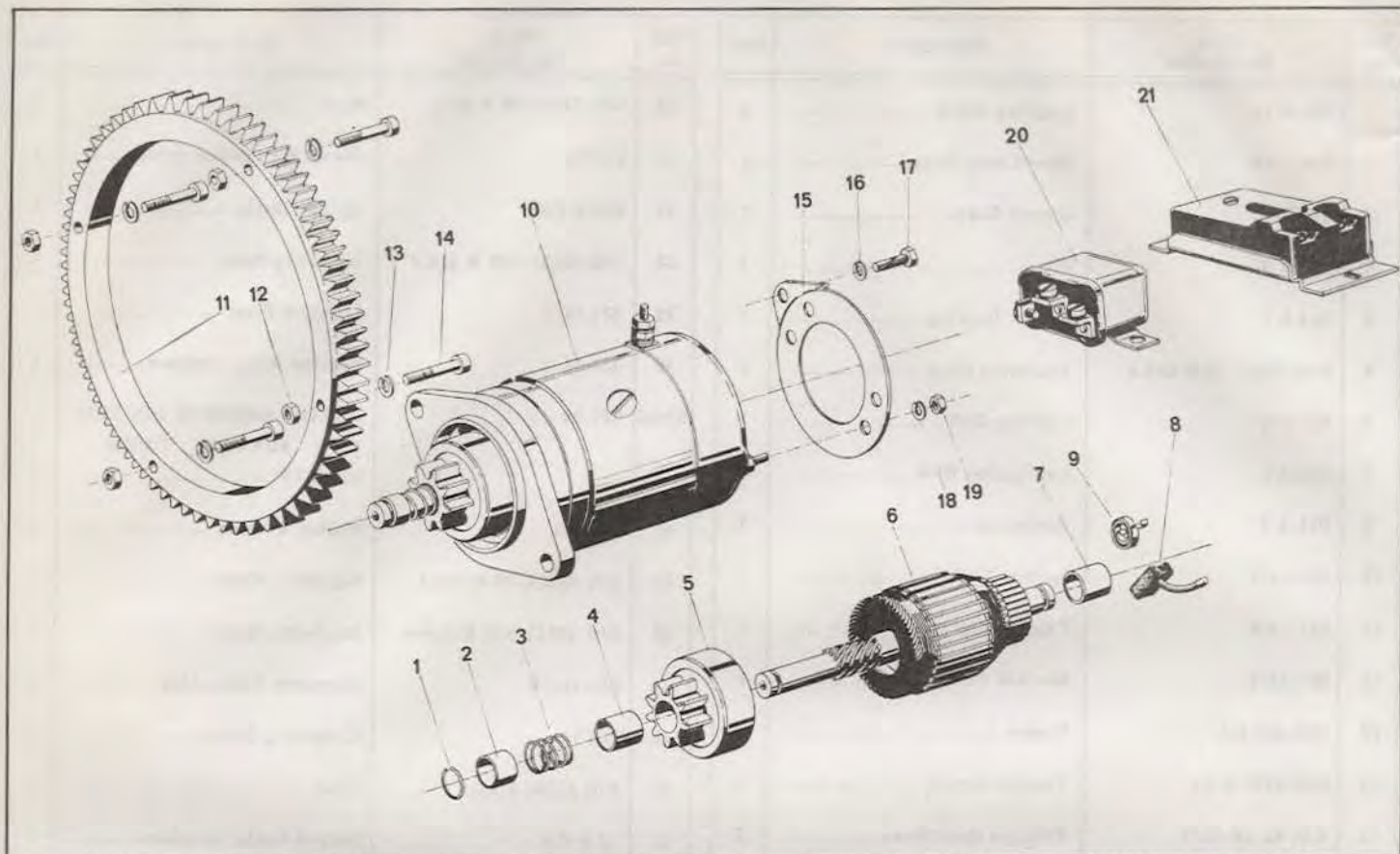
**MAIN IGNITION PARTS  
FOR MODEL 194R**

Figure 32

Ref. No.	Hirth Part Number	Description	Qty.	Ref. No.	Hirth Part Number	Description	Qty.
1	021.4/11	Lighting Cable .....	2	35	DIN 73379/50 A 8x12	Hose .....	1
2	020.4/12	Short-Circuit Cable .....	1	36	34 B 4	Clamp, for ignition cable.....	1
3	021.5/13	Ground Cable .....	1	37	026.5/650	Ignition Cable .....	1
4	164 A 3	Plug .....	1	38	DIN 40621/100 B 8x0.7	Insulating Hose .....	1
5	164 A 1	Rubber Bushing .....	1	39	021.14/1	Armature Plate .....	1
6	DIN 40621/70 B 6x0.6	Insulating Hose .....	1	40	021.14/2	Magneto Ring, complete.....	1
7	021.5/4	Lighting Coil .....	1	39-40	021.14	DYNAMO MAGNETO IGNITION WITH ADVANCE TIMING - 40 WATT .....	1
8	020.4/8	Lubrication Wick .....	1	41	194 A 1	Rubber Bushing .....	2
9	021.3/7	Condenser .....	1	42	DIN 40621/70 B 6x0.6	Insulating Hose.....	1
10	021.14/3	Ignition Coil .....	1	43	DIN 40621/110 B 3x0.4	Insulating Hose.....	1
11	021.14/6	Fixed Point.....	1	44	021.16/10	Generator Cable, blue .....	1
12	021.14/5	Movable Point.....	1	45	034.14	Protecting Sleeve .....	1
13	DIN 433 5.3	Washer .....	3	46	DIN 46247 6.3x1	Plug .....	1
14	DIN 6797 A 5.1	Toothed Washer .....	3	47	14 B 9 U	Ground Cable, complete.....	1
15	DIN 84 AM 5x15	Fillister Head Screw .....	3	48	020.13/3	Ignition Coil .....	1
16	DIN 912 M 6x15	Ellern Screw .....	4	49	DIN 127 B 5 glz.	Lockwasher .....	2
17	DIN 127 B 6	Lockwasher.....	4	50	DIN 7513 AM 5x25 glz.	Hexagon Head Cutting Screw ..	2
18	DIN 84 M 4x5	Fillister Head Screw .....	3	51	026.5/420	Ignition Cable .....	1
19	DIN 127 B 4	Lockwasher.....	3	52	DIN 40621/200 B 8x0.7	Insulating Hose.....	1
20	DIN 125 4.3	Washer .....	3	53	020.13/5	Protecting Sleeve .....	1
21	021.14/9	Advancing Cam.....	1	54	14 C 1	Rubber Bushing.....	1-2
22	DIN 6799 5	Horseshoe Lock .....	1	55	14 C 3	Rubber Bushing .....	1
23	020.12/19	Timing Lever .....	1	57	024.11	Spark Plug Hood .....	1
24	020.12/20	Washer .....	1	58	024.12	Spring .....	1
25	020.12/18	Spring.....	1	59	023.12/240	Spark Plug .....	1
26a	193 D 1 U	Flywheel, 75 watt .....	1	62	021.19/9	Advancing Cam .....	1
26b	193 F 1 U	Flywheel, 40 watt .....	1	63	021.19/3	Generator Coil.....	1
27	193 D 3	Cover Plate.....	1	64	021.19/1	Armature Plate .....	1
28	161 A 6	Washer .....	1	65	021.19/2	Magneto Ring, complete.....	1
29	DIN 934 M 16x1.5	Flywheel Locknut, hexagon ....	1	64-65	021.19	DYNAMO MAGNETO IGNITION WITH ADVANCE TIMING - 75 WATT .....	1
30	DIN 934 M 6 glz.	Nut, hexagon.....	4				
31	DIN 912 M 6x35 glz.	Ellern Screw .....	4				
32	193 D 2	Fan Housing .....	1				

Figure 33

## STARTER MOTOR MOUNTING FOR MODEL 194R

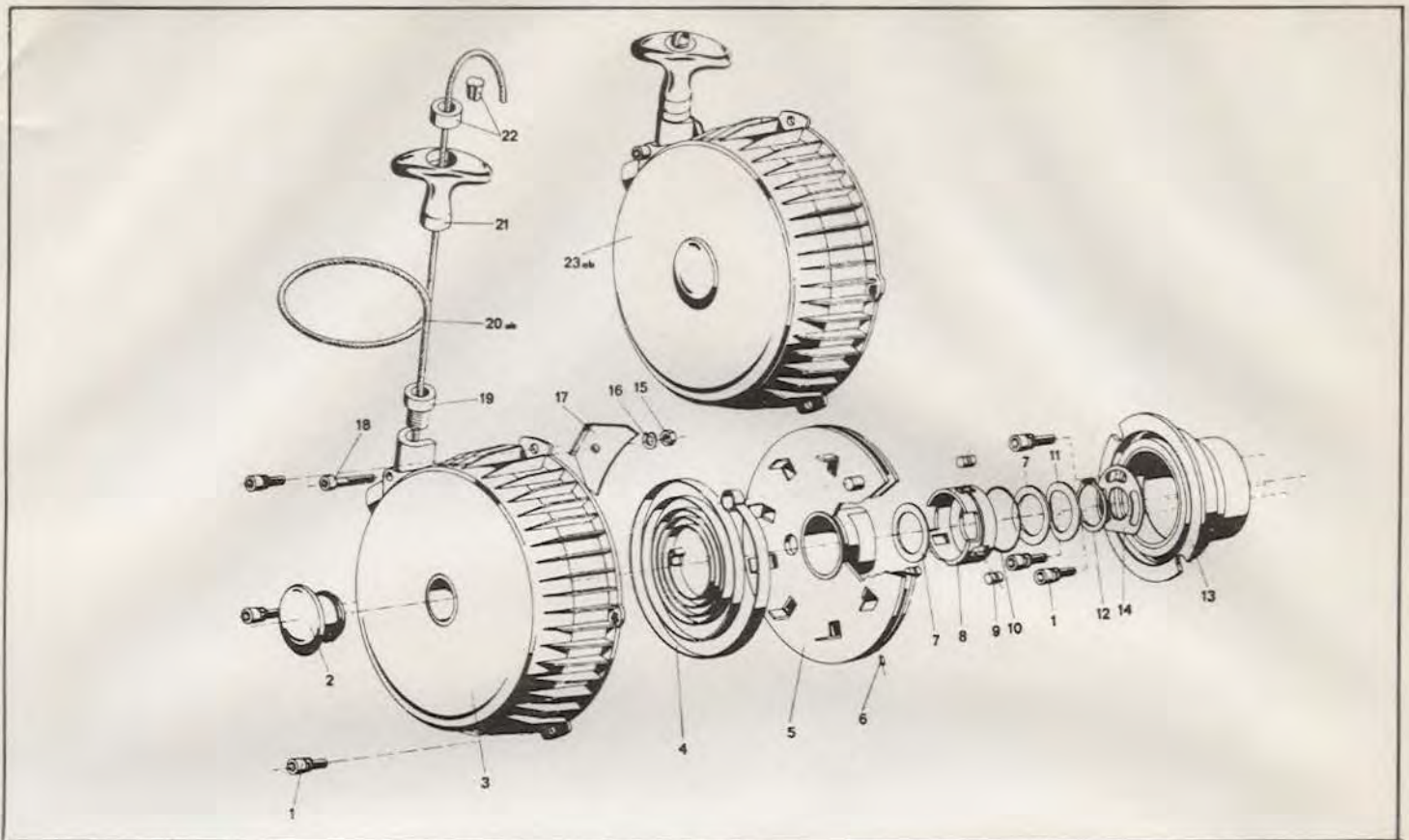


Ref No.	Hirth Part Number	Description	Qty.
1	028.9/7	Snap Ring .....	1
2	028.9/6	Stop Ring .....	1
3	028.9/5	Spring .....	1
4	028.9/4	Bearing Bushing .....	1
5	028.9/3	Drive Assembly .....	1
6	028.9/2	Armature .....	1
7	028.9/1	Bearing Bushing .....	1
8	028.9/9	Carbon Brush Set.....	1
9	028.3/10	Carbon Brush Spring .....	1
10	028.9	Pinion Starter.....	1
11	163 B 3	Ring Gear .....	1
12	DIN 934 M6	Hexagon Nut.....	4
13	DIN 7980 6	Lockwasher .....	4
14	DIN 912 M6x20	Ellern Screw.....	4
15	195 A 2	Support Plate .....	1

Ref No.	Hirth Part Number	Description	Qty.
16	DIN 127 B6 glz.	Lockwasher .....	1
17	DIN 7513 AM 6x15 glz.	Cutting Screw, hexagon head .....	1
18	DIN 137 B5 glz.	Lockwasher .....	2
19	DIN 934 M5 glz.	Hexagon Nut .....	2
20	032.15	Relay .....	1
21	032.14	Resistor.....	1

# RECOIL STARTER ASSEMBLY FOR MODEL 194R

Figure 34



Ref. No.	Hirth Part Number	Description	Qty.	Ref. No.	Hirth Part Number	Description	Qty.
1	M 6x18 Z 4-1 DIN 912 glz.	Ellern Screw	9	15	M 6 DIN 934 glz.	Hexagon Nut	1
2	15 B 20	Plug	1	16	B 6 DIN 127 glz.	Lock Washer	1
3	165 A 24 U	Starter Housing	1	17	165 A 18	Cover Plate	1
4	165 A 20	Spiral Spring	1	18	M 6x30 DIN 912 glz.	Ellern Screw	1
5	165 A 8 U	Driver Pulley	1	19	75 B 23	Rope Guide Bushing	1
6	3x8 DIN 1473	Pin	1	20a	165 A 16	Wire Rope 2475 mm long	1
7	15 A 17	Washer	1-2	20b	165 C 2	Wire Rope 2680 mm long	1
8	15 B 31	Roller Cage	1	21	75 B 36	Handle	1
9	75 B 16	Clamp Roller	3	22	75 B 34 75 B 35	Clamp Ring Clamp Piece both parts	1 1
10	75 B 17	Roller Retaining Spring	1	23a	165 D 2 U	Recoil Starter complete with wire rope 20a	1
11	15 A 19	Lock Washer	1-2	23b	165 E 2 U	Recoil Starter complete with wire rope 20b	1
12	32x1.5 DIN 471	Snap Ring	1				
13	165 A 1 U	Recoil Starter Drive Hub	1				
14	165 A 3	Security Plate	1				