



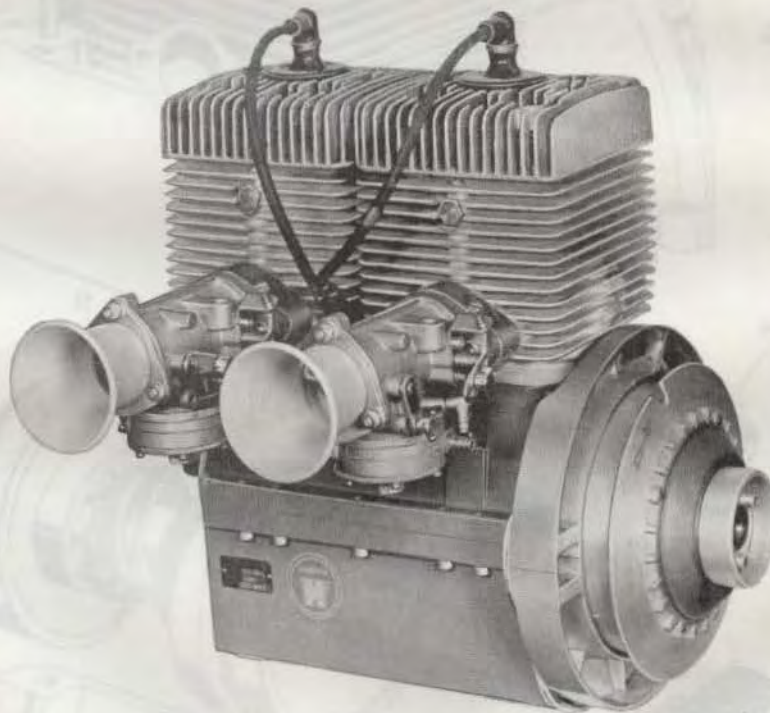
# Spare Parts List

ISSUE MM-332


## Models

**172 R40** Special Execution

**172 R41** Standard RED BARON



**2 Cylinder - 650 cc Racing Engine**

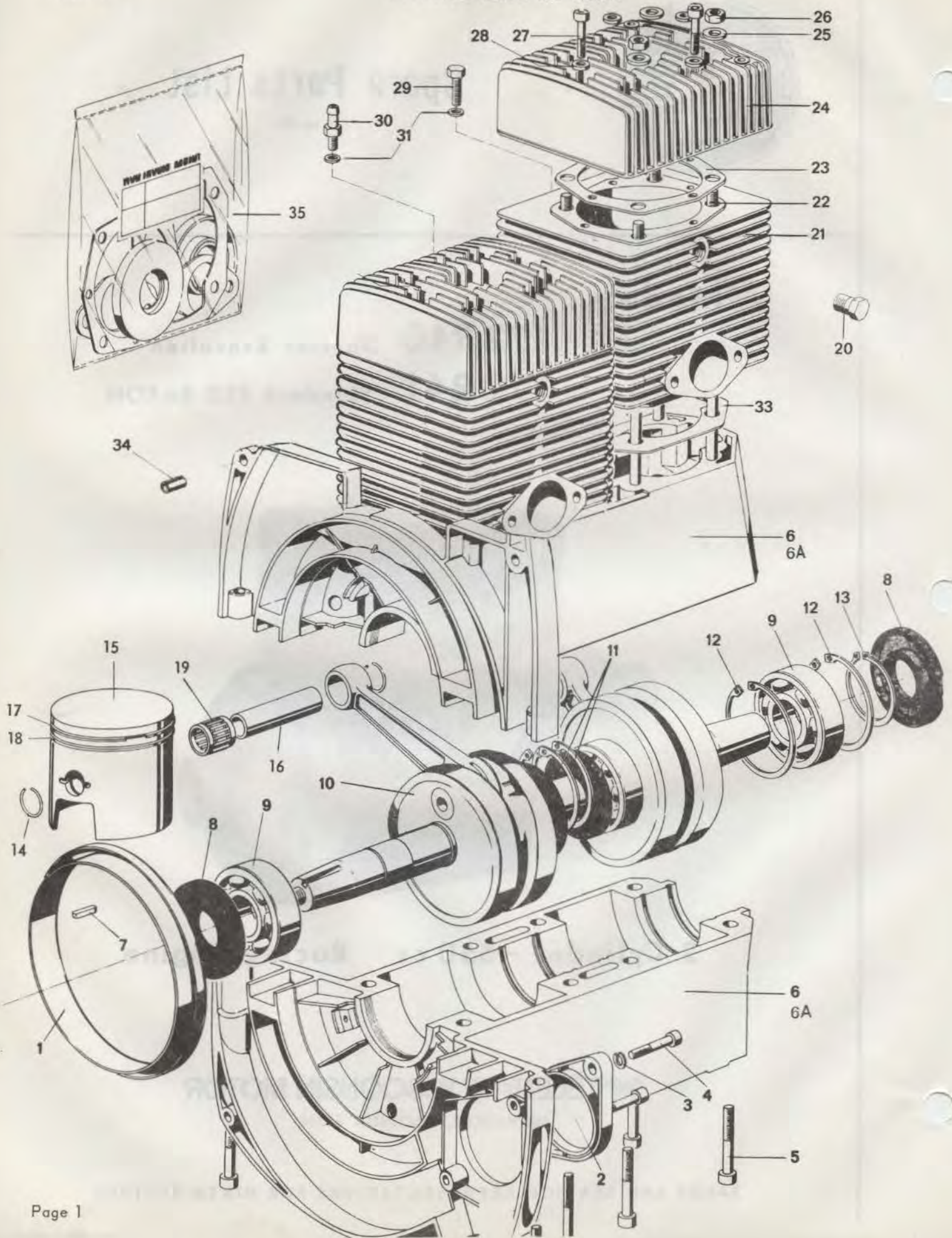
 **TELEDYNE WISCONSIN MOTOR**

MILWAUKEE, WISCONSIN 53246

SALES AND SERVICE REPRESENTATIVES FOR HIRTH ENGINES

Figure 1

### MAIN ENGINE PARTS For Models 172R40 and 172R41



**MAIN ENGINE PARTS**  
For Models 172R40 and 172R41

Figure 1

Ref. No.	Hirth Part Number	Description	Qty.
1	160 A 5	RING .....	1
2	195 A 1	BLIND FLANGE .....	1
3	DIN 127 B 8 glz.	LOCK WASHER for flange .....	2
4	DIN 912 M 8 x 30 glz.	SCREW, ellern, for flange .....	2
5	DIN 912 M 6 x 30 glz.	SCREW, ellern, for crankcase .....	10
6	170 D 2 U	CRANKCASE, complete – for model 172R40 (shown) .....	1
6A	170 E 2 U	CRANKCASE, complete – for model 172R41 (not shown) .....	1
7	DIN 6885 A 6 x 6 x 14	FITTING KEY for crankshaft .....	1
8	055.21	OIL SEAL, crankshaft .....	2
9	DIN 625 6306	BALL BEARING, crankshaft main .....	2
10	171 C 1 U	CRANKSHAFT, complete .....	1
11	DIN 472 72 x 2.5	SNAP RING for crankshaft .....	2
12	DIN 472 62 x 2	SNAP RING for main bearing .....	2
13	DIN 471 30 x 1.5	SNAP RING for oil seal .....	1
14	DIN 73123 C 18	SPRING RING for piston pin .....	4
15	014.43	PISTON ASSEMBLY, complete with pin .....	2
16	014.31/4	PISTON PIN .....	2
17	014.43/1	"L" PISTON RING (top groove) .....	1
18	014.43/2	PISTON RING, compression (2nd groove) .....	1
19	046.6	NEEDLE BEARING, connecting rod .....	2
20	19 5 1	SCREW .....	2
21	192 R 1	CYLINDER BLOCK .....	2
22	190 B 5	STUD for cylinder head mounting .....	8
23	192 N 3	GASKET, cylinder head .....	2
24	172 A 1	CYLINDER HEAD .....	2
25	190 A 6	WASHER, cylinder head mounting .....	8
26	DIN 934 M 8 glz.	NUT, hexagon, cylinder head mounting .....	8
27	DIN 912 M 6 x 30	SCREW, ellern, for cylinder head .....	8
28	212 A 5	WASHER for cylinder head screw .....	8
30	50 K 4	HOSE NIPPLE for vacuum line .....	2
31	DIN 7603 AL A 6.5 x 9.5 x 2	JOINT WASHER for hose nipple .....	2
33	172 A 2	GASKET, cylinder base .....	2
34	DIN 7346 8 x 10 glz.	CLAMPING SLEEVE .....	4
35	Di 17/3	GASKET SET .....	1

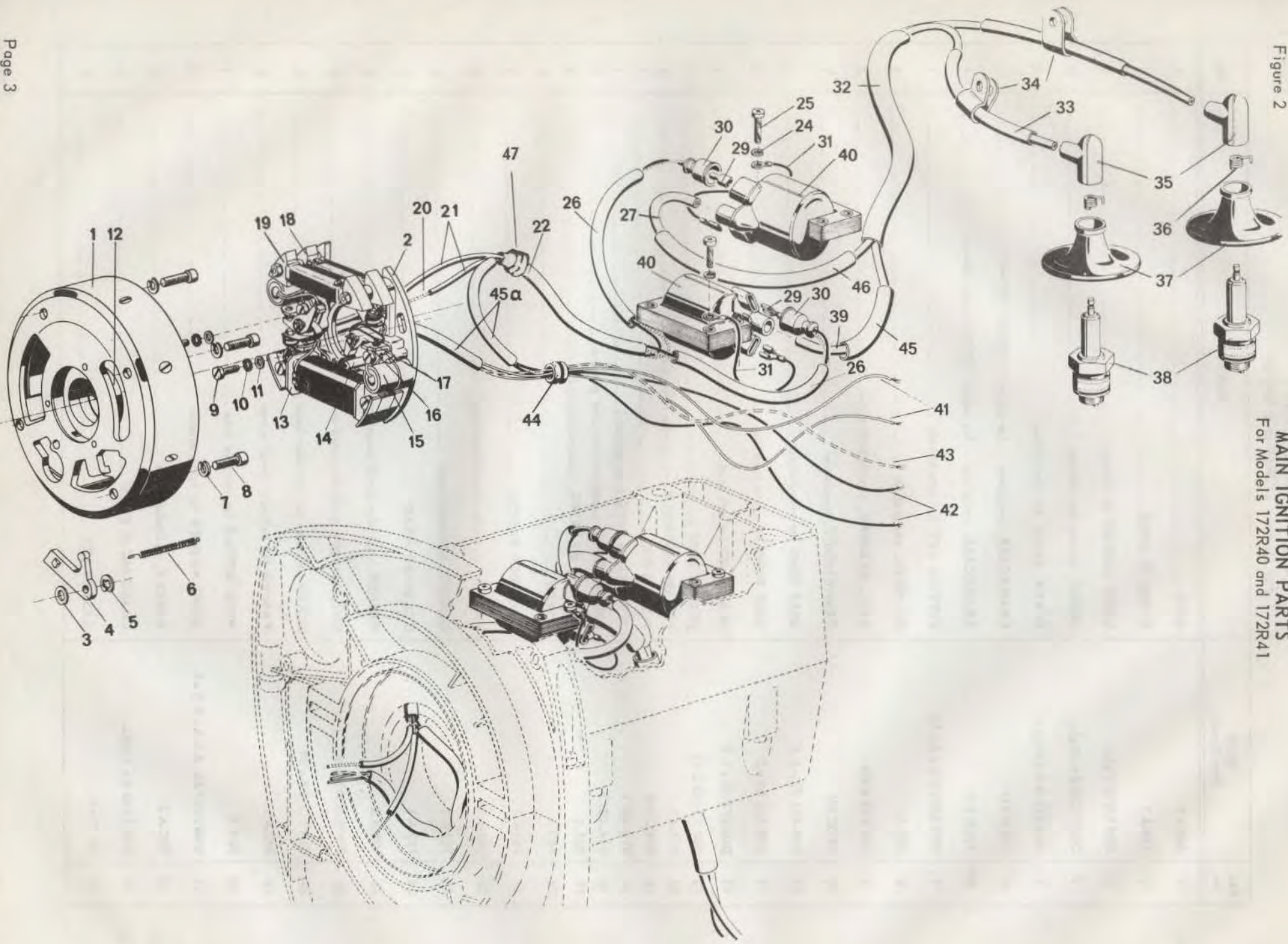


Figure 2

**MAIN IGNITION PARTS**  
For Models 172R40 and 172R41

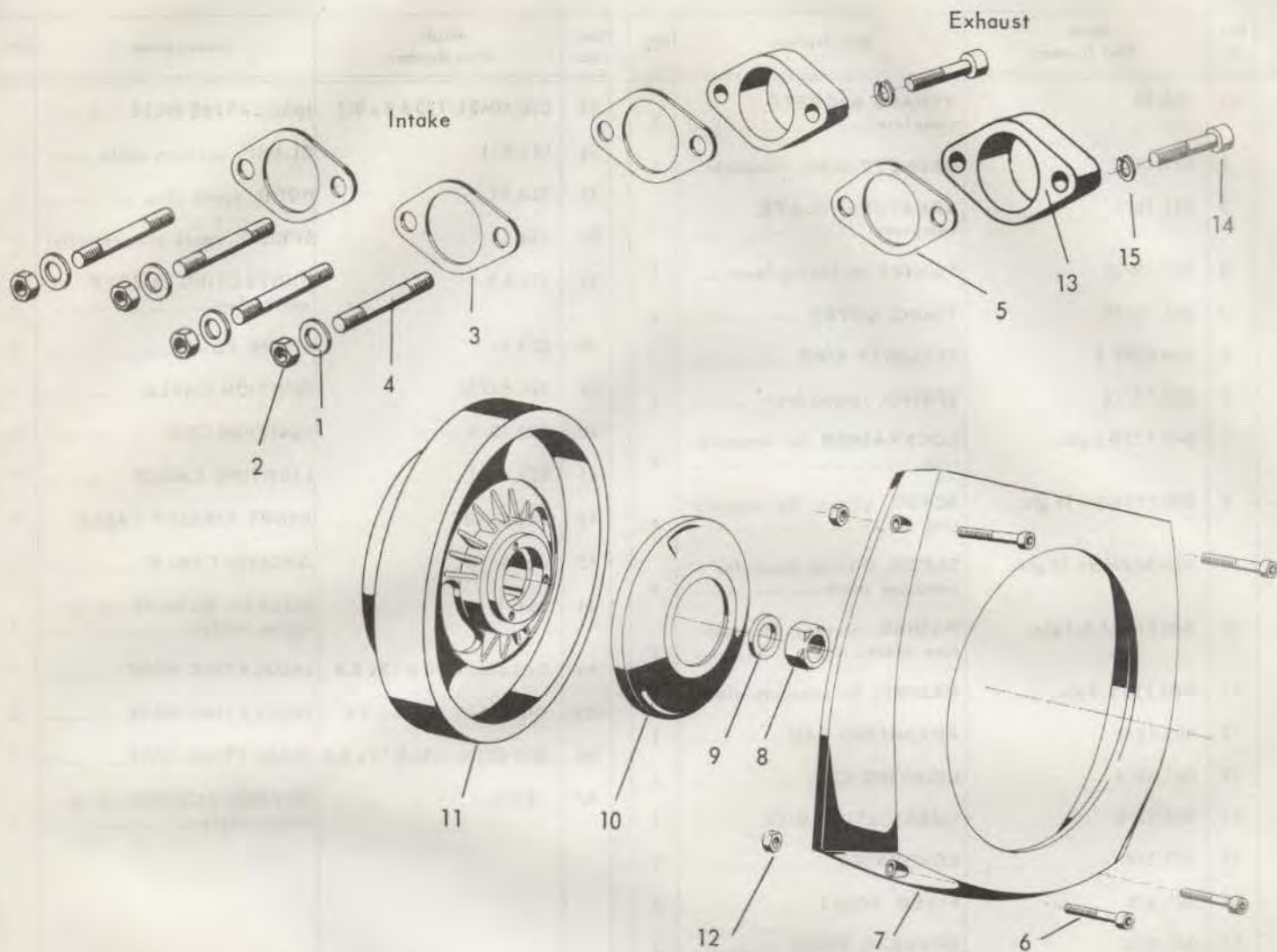
**MAIN IGNITION PARTS**  
For Models 172R40 and 172R41

Figure 2

Ref. No.	Hirth Part Number	Description	Qty.	Ref. No.	Hirth Part Number	Description	Qty.
1+2	021.18	DYNAMO MAGNETO, complete .....	1	33	DIN 40621/120 B 8 x 0.7	INSULATING HOSE .....	2
1	021.18/2	MAGNETO RING, complete ..	1	34	063.7/1	CLAMP, ignition cable .....	2
2	021.18/1	ARMATURE PLATE, complete .....	1	35	024.11	HOOD, spark plug .....	2
3	020.12/20	WASHER for timing lever .....	1	36	024.12	SPRING, spark plug terminal	2
4	021.14/19	TIMING LEVER .....	1	37	174 A 2	PROTECTING SLEEVE, spark plug .....	2
5	DIN 6799 5	SECURITY RING .....	1	38	023.14	SPARK PLUG .....	2
6	020.12/18	SPRING, timing lever .....	1	39	026.5/710	IGNITION CABLE .....	1
7	DIN 127 B 6 glz.	LOCKWASHER for magneto ring .....	4	40	020.13/3	IGNITION COIL .....	2
8	DIN 912 M 6 x 16 glz.	SCREW, ellern, for magneto ring .....	4	41	021.4/11	LIGHTING CABLE .....	2
9	DIN 84 AM 5 x 16 glz.	SCREW, fillister head, for armature plate .....	2	42	14 A 2/900	SHORT CIRCUIT CABLE ...	2
10	DIN 6797 A 5.1 glz.	WASHER, toothed, for armature plate .....	2	43	021.5/13	GROUND CABLE .....	1
11	DIN 433 5.3 glz.	WASHER, for armature plate	2	44	14 C 1	RUBBER BUSHING for ignition cables .....	1
12	021.17/9	ADVANCING CAM .....	1	45	DIN 40621/50 B 12 x 0.8	INSULATING HOSE .....	1
13	021.18/4	LIGHTING COIL .....	1	45A	DIN 40621/90 B 6 x 0.6	INSULATING HOSE .....	2
14	021.17/8	LUBRICATION WICK .....	1	46	DIN 40621/230 B 12 x 0.8	INSULATING HOSE .....	1
15	021.3/7	CONDENSER .....	2	47	14 C 6	RUBBER BUSHING for ignition cables .....	1
16	021.4/6	FIXED POINT .....	2				
17	021.4/5	MOVABLE POINT .....	2				
18	021.18/3b	GENERATOR COIL .....	1				
19	021.18/3a	GENERATOR COIL .....	1				
20	021.16/10	GENERATOR CABLE .....	2				
21	DIN 40621/80 B 3 x 0.4	INSULATING HOSE .....	2				
22	DIN 40621/130 B 7 x 0.7	INSULATING HOSE .....	1				
24	DIN 127 B 5 glz.	LOCKWASHER, ignition coil mounting .....	4				
25	DIN 7516 AM 5 x 25 glz.	SCREW, cutting, ignition coil mounting .....	4				
26	DIN 40621/110 B 7 x 0.7	INSULATING HOSE .....	2				
27	026.5/780	IGNITION CABLE .....	1				
29	DIN 46247 6.3 x 2.5	PLUG, wire connector .....	2				
30	034.15	PROTECTING SLEEVE, ignition wire .....	2				
31	14 B 9 U	GROUND CABLE, complete	2				
32	DIN 40621/130 B 12 x 0.8	INSULATING HOSE .....	1				

Figure 3

### FLYWHEEL AND MANIFOLD PARTS For Models 171R40 and 171R41



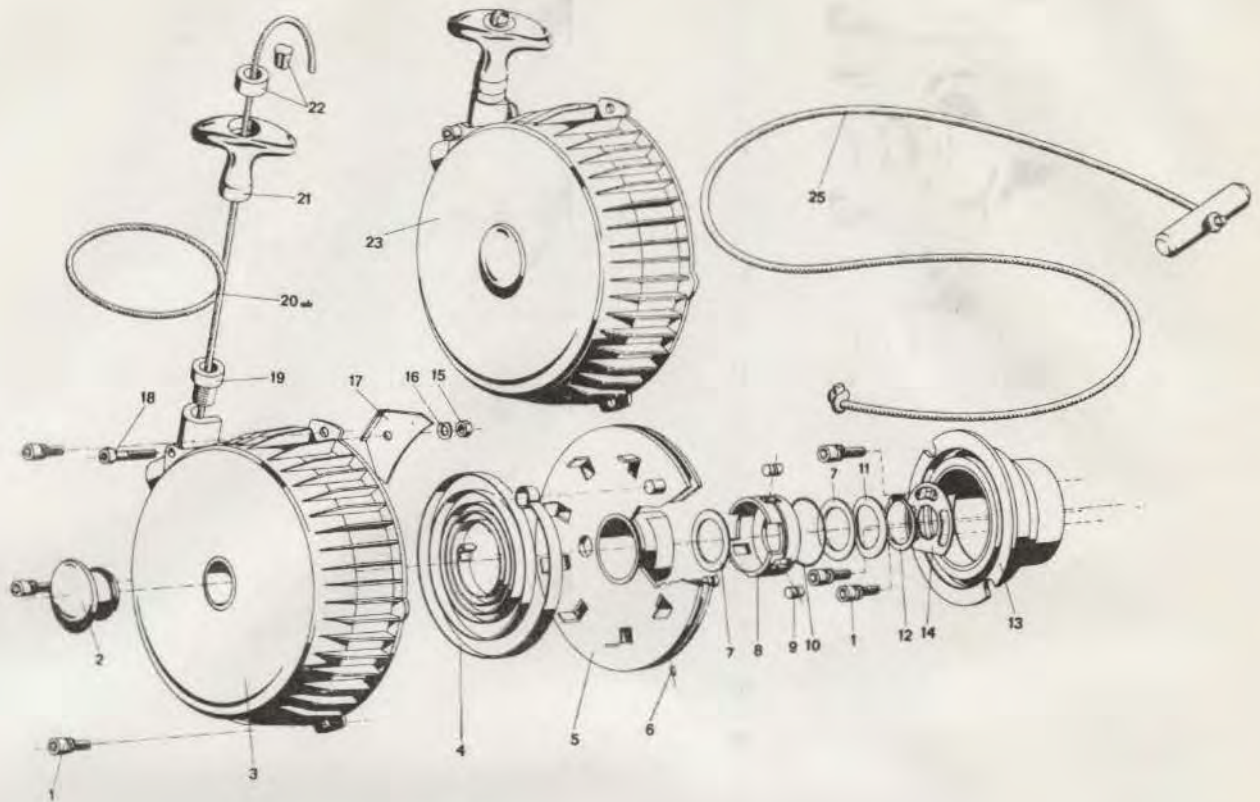
Ref. No.	Hirth Part Number	Description	Qty.
1	DIN 137 B 8 glz.	WASHER for intake studs.....	4
2	DIN 934 M 8 glz.	NUT, hexagon, for intake studs .....	4
3	237 A 13	GASKET, intake side.....	2
4	DIN 940 M 8 x 18 glz.	STUD for carburetor mounting	4
5	198 B 2	GASKET, exhaust side.....	4
6	DIN 912 M 6 x 25 glz.	SCREW, ellern, for flywheel housing .....	4
7	173 E 1	FLYWHEEL HOUSING (for model 171R40 only).....	1

Ref. No.	Hirth Part Number	Description	Qty.
8	DIN 934 M 16 x 1.5	NUT, hexagon, flywheel mounting .....	1
9	161 A 6	WASHER, flywheel mounting	1
10	193 D 3	DUST PLATE .....	1
11	173 E 2 U	FLYWHEEL without fins .....	1
12	DIN 934 M 6 glz.	NUT, hexagon, for flywheel housing .....	4
13	198 B 1	EXHAUST FLANGE .....	2
14	DIN 912 M 10 x 35 glz.	SCREW, ellern, for exhaust flange .....	4
15	DIN 433 10.5 glz.	WASHER for exhaust flange screw .....	4

# RECOIL STARTER ASSEMBLY

For Models 171R40 and 171R41

Figure 4



Ref. No.	Hirth Part Number	Description	Qty.
1	DIN 912 M 6x18 Z 4-1 glz.	SCREW, ellern head ..... 3-for recoil starter drive hub mounting. 5-for starter housing.	8
2	15 B 20	PLUG for starter housing ....	1
3	165 A 24 U	STARTER HOUSING .....	1
4	165 A 20	REWIND STARTER SPRING	1
5	165 A 8 U	DRIVER PULLEY .....	1
6	DIN 1473 3x8	PIN .....	1
7	15 A 17	WASHER .....	2
8	15 B 31	ROLLER CAGE .....	1
9	75 B 16	CLAMP ROLLER .....	3
10	75 B 17	ROLLER RETAINER .....	1
11	15 A 19	LOCK WASHER .....	1-2
12	DIN 471 32x 1.5	SNAP RING .....	1
13	165 A 1 U	DRIVE HUB .....	1
14	165 A 3	SECURITY PLATE .....	1
15	DIN 934 M 6 glz.	NUT, hexagon .....	1
		For mounting cover plate.	
16	DIN 127 B 6 glz.	LOCK WASHER for mounting cover plate .....	1
17	165 A 18	COVER PLATE .....	1

Ref. No.	Hirth Part Number	Description	Qty.
18	DIN 912 M 6 x 30 glz.	SCREW, ellern head ..... For mounting cover plate to starter housing.	1
19	75 B 3	GUIDE BUSHING for wire rope .....	1
20	165 A 16	WIRE ROPE, 2475 mm long	1
21	75 B 36	HANDLE, for wire rope .....	1
22	75 B 34	CLAMP RING, rope to handle .....	1
	75 B 35	CLAMP PIECE, rope to handle .....	1
		NOTE: Clamp Ring and Clamp Piece are not serviced separately. Order both Clamp Ring and Clamp Piece.	
23	165 D 2 U	RECOIL STARTER, complete .....	1
		Includes wire rope (2475 mm).	
25	65 F 3 U	ROPE ASSEMBLY (extra long) .....	1
		For model 172R41.	