



HIRTH MOTOREN KG

7141 BENNINGEN/NECKAR · KREIS LUDWIGSBURG · WEST GERMANY

Spare Parts List

issue mm-312

for

HIRTH Engine MODEL

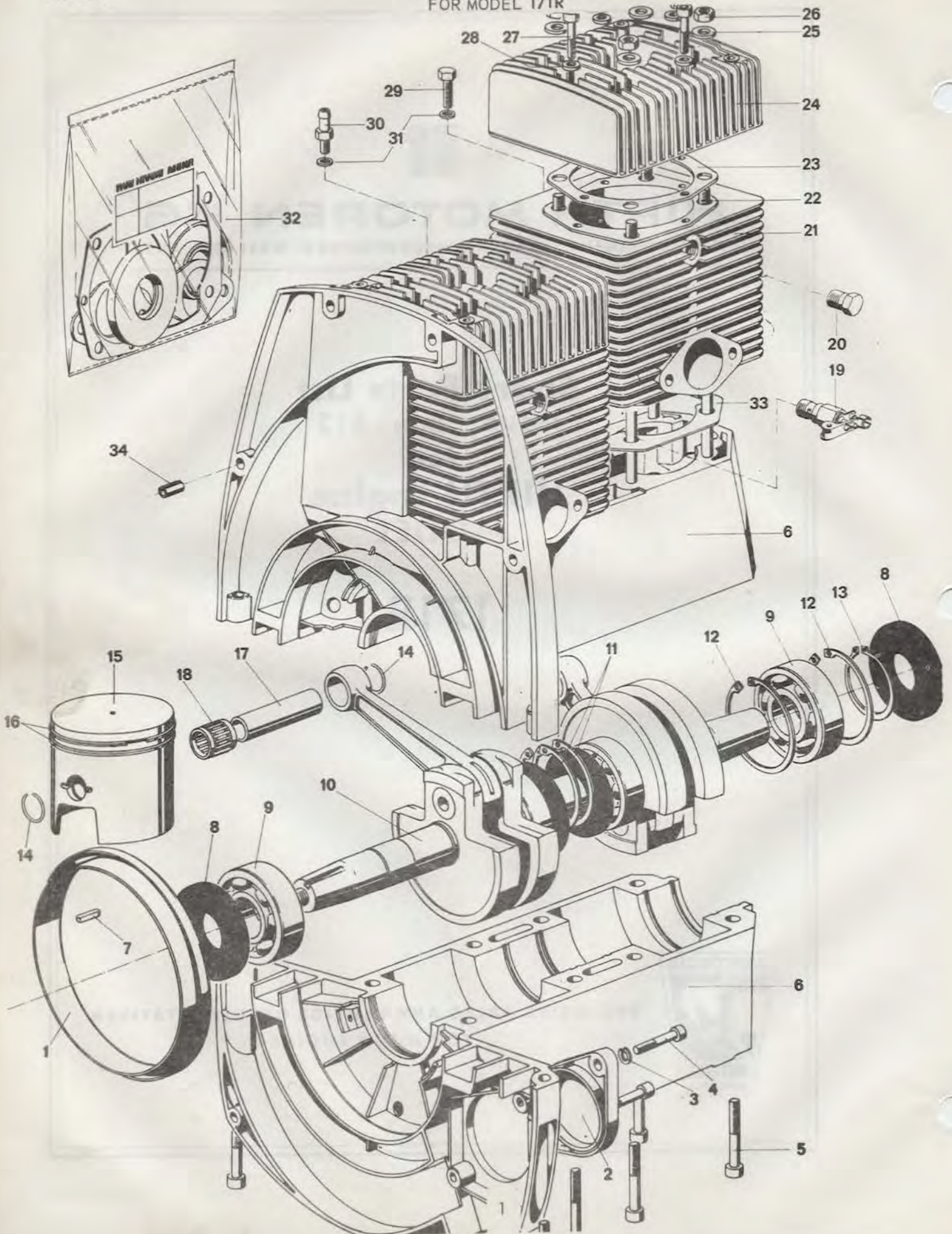
171R



**EXCLUSIVE SALES AND SERVICE REPRESENTATIVES
FOR HIRTH ENGINES**

Figure 19

MAIN ENGINE PARTS
FOR MODEL 171R



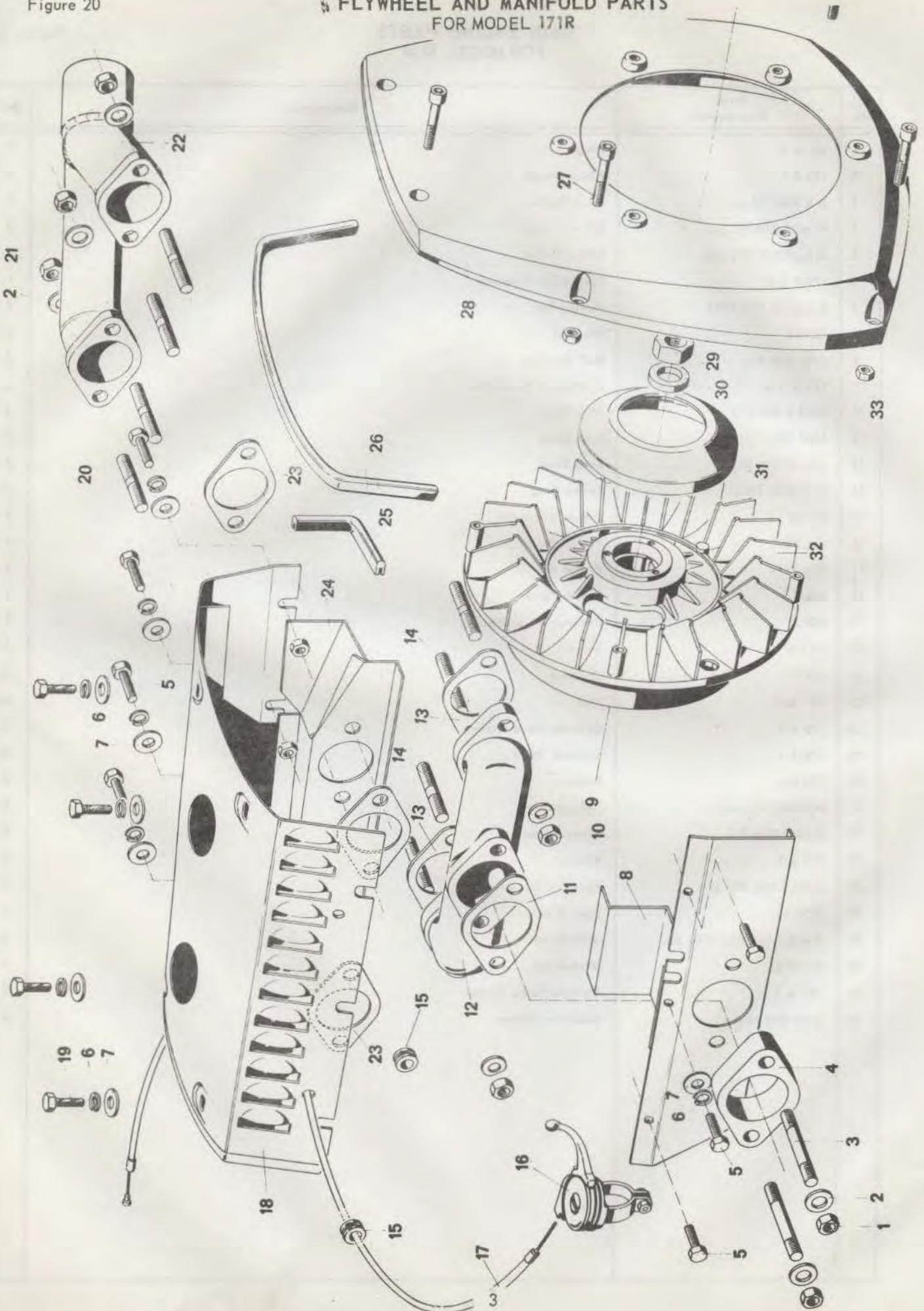
MAIN ENGINE PARTS
FOR MODEL 171R

Figure 19

Ref. No.	Hirth Part Number	Description	Qty.
1	160 A 5	Ring	1
2	195 A 1	Blind Flange	1
3	B 8 DIN 127 glz.	Lock Washer	2
4	M 8x30 DIN 912 glz.	Ellern Screw	2
5	M 8x50 DIN 912 glz.	Ellern Screw	10
6	170 B 2 U	Crankcase Complete	1
7	A 6x6x14 DIN 6885	Fitting Key	1
8	055.21	Oil Seal	2
9	6306 DIN 625	Ball Bearing	2
10	171 B 1 U	Crankshaft Complete	1
11	72x2.5 DIN 472	Snap Ring	2
12	62x2 DIN 472	Snap Ring	2
13	30x1.5 DIN 471	Snap Ring	1
14	C 18 DIN 73123	Spring Ring	4
15	014.31	Piston Complete	2
16	014.31/1	Piston Ring	4
17	014.31/4	Piston Pin	2
18	046.6	Needle Cage	2
19	058.2	Decompression Valve	2
20	19 S 1	Screw	2
21	192 K 1	Cylinder	2
22	190 B 5	Stud	8
23	172 A 3	Cylinder Head Gasket	2
24	172 A 1	Cylinder Head	2
25	190 A 6	Washer	8
26	M 8 DIN 934 glz.	Hexagon Nut	8
27	M 6x30 DIN 912	Ellern Screw	8
28	212 A 5	Washer	8
29	M 6x10 DIN 933 glz.	Hexagon Screw	1
30	50 K 4	Hose Nipple	1
31	A 6.5x9.5x2 DIN 7603 AL	Joint Washer	2
32	Di 17/2	Gasket Set	1
33	172 A 2	Cylinder Base Gasket	2
34	8x10 DIN 7346	Clamping Sleeve	4

Figure 20

FLYWHEEL AND MANIFOLD PARTS FOR MODEL 171R

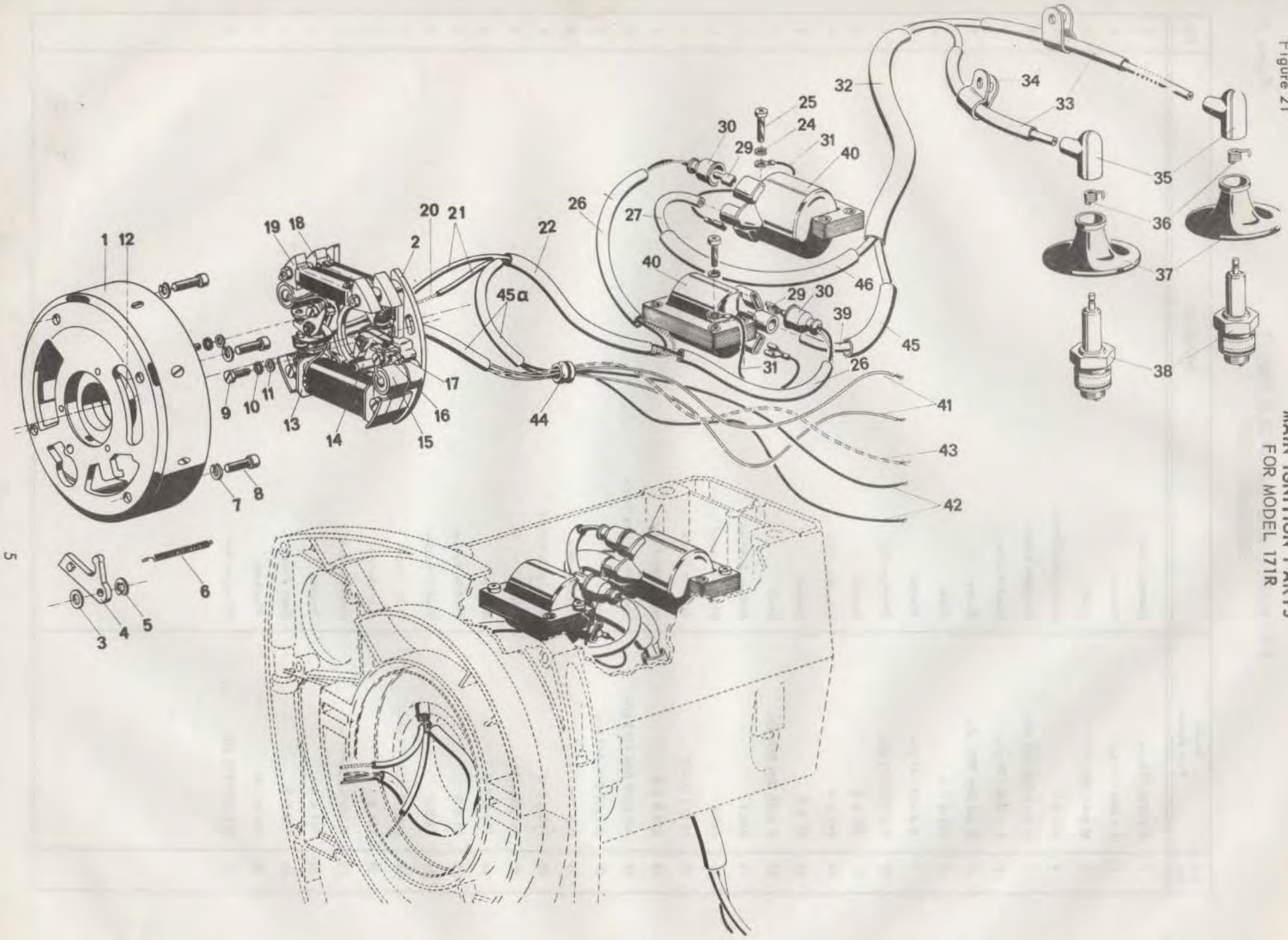


FLYWHEEL AND MANIFOLD PARTS
FOR MODEL 171R

Figure 20

Ref. No.	Hirth Part Number	Description	Qty.
1	M 8 DIN 934 glz.	Hexagon Nut	2
2	8.4 DIN 125 glz.	Washer	6
3	M 8x45 DIN 939	Stud	2
4	207 A 1	Insulating Flange	1
5	M 6x15 DIN 933 glz.	Hexagon Screw	8
6	B 6 DIN 127 glz.	Lock Washer	9
7	B 6.4 DIN 9021 glz.	Washer	9
8	173 B 7 U	Plate	1
9	B 8 DIN 137 glz.	Washer	4
10	M 8 DIN 934 glz.	Hexagon Nut	4
11	207 A 2	Gasket	1
12	177 A 2	Inlet Manifold	1
13	57 Y 6	Gasket	2
14	M 8x20 DIN 940 glz.	Stud	4
15	034.3	Rubber Bushing	2
16	049.11	Clamp Mounted Lever	1
17	17 M 1 U/450	Bowden Cable	1
18	173 B 2 U	Air Guide Plate	1
19	AM 6x18 DIN 7513 glz.	Hexagon Cutting Screw	4
20	M 8x22 DIN 940 glz.	Stud	4
21	M 8 DIN 934 cu	Hexagon Nut	4
22	178 A 3 U	Exhaust Manifold	1
23	901.300-008	Gasket	4
24	173 B 5 U	Bottom	1
25	13 B 5	Profile Rubber	1
26	13 B 1	Profile Rubber	1
27	M 6x25 DIN 912 glz.	Ellern Screw	6
28	173 B 1	Fan Housing	1
29	M 16x1.5 DIN 934	Hexagon Nut	1
30	161 A 6	Washer	1
31	193 D 3	Dust Plate	1
32	193 D 1 U	Flywheel	1
33	M 6 DIN 934 glz.	Hexagon Nut	6

Figure 21



MAIN IGNITION PARTS
FOR MODEL 171R

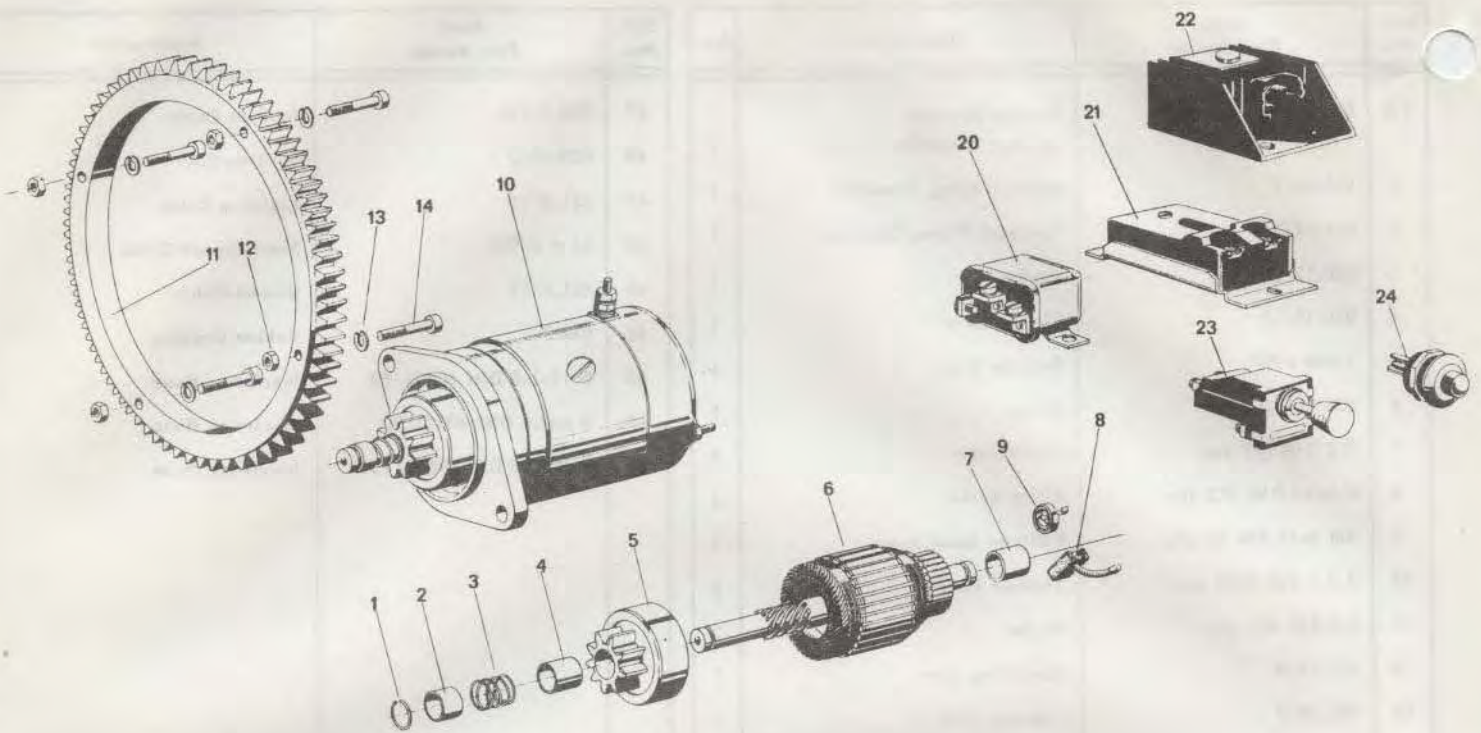
**MAIN IGNITION PARTS
FOR MODEL 171R**

Figure 21

Ref. No.	Hirth Part Number	Description	Qty.	Ref. No.	Hirth Part Number	Description	Qty.
1-2	021.18	Dynamo Magneto Ignition Complete	1	39	026.5/710	Ignition Cable	1
1	021.18/2	Magneto Ring, Complete	1	40	020.13/3	Ignition Coil	2
2	021.18/1	Armature Plate, Complete	1	41	021.4/11	Lighting Cable	2
3	020.12/20	Washer	1	42	14 A 2/900	Short Circuit Cable	2
4	020.12/19	Timing Lever	1	43	021.5/13	Ground Cable	1
5	5 DIN 6799	Security Ring	1	44	034.3	Rubber Bushing	1
6	020.12/18	Spring	1	45	B 12x0.8 DIN 40621/50	Insulating Hose	1
7	B 6 DIN 127 glz.	Lockwasher	4	45a	B 6x0.6 DIN 40621/90	Insulating Hose	2
8	M 6x15 DIN 912 glz.	Ellern Screw	4	46	B 12x0.8 DIN 40621/230	Insulating Hose	1
9	AM 5x15 DIN 84 glz.	Fillister Head Screw	2				
10	A 5.1 DIN 6797 glz.	Toothed Washer	2				
11	5.3 DIN 433 glz.	Washer	2				
12	021.17/9	Advancing Cam	1				
13	021.18/4	Lighting Coil	1				
14	021.17/8	Lubrication Wick	1				
15	021.3/7	Condenser	2				
16	020.13/6	Fixed Point	2				
17	021.4/5	Movable Point	2				
18	021.18/3b	Generator Coil	1				
19	021.18/3a	Generator Coil	1				
20	021.16/10	Generator Cable	2				
21	B 3x0.4 DIN 40621/80	Insulating Hose	2				
22	B 7x0.7 DIN 40621/130	Insulating Hose	1				
24	B 5 DIN 127 glz.	Lockwasher	4				
25	AM 5x25 DIN 7516 glz.	Cutting Screw	4				
26	B 7x0.7 DIN 40621/110	Insulating Hose	2				
27	026.5/780	Ignition Cable	1				
29	6.3x2.5 DIN 46247	Plug	2				
30	034.15	Protecting Sleeve	2				
31	14 B 9 U	Ground Cable, Complete	2				
32	B 13x0.8 DIN 40621/130	Insulating Hose	1				
33	B 8x0.7 DIN 40621/120	Insulating Hose	2				
34	063.7/1	Clamp	2				
35	024.11	Spark Plug Hood	2				
36	024.12	Spring	2				
37	174 A 2	Protecting Sleeve	2				
38	023.14	Spark Plug	2				

Figure 22

STARTING MOTOR PARTS
FOR MODEL 171R

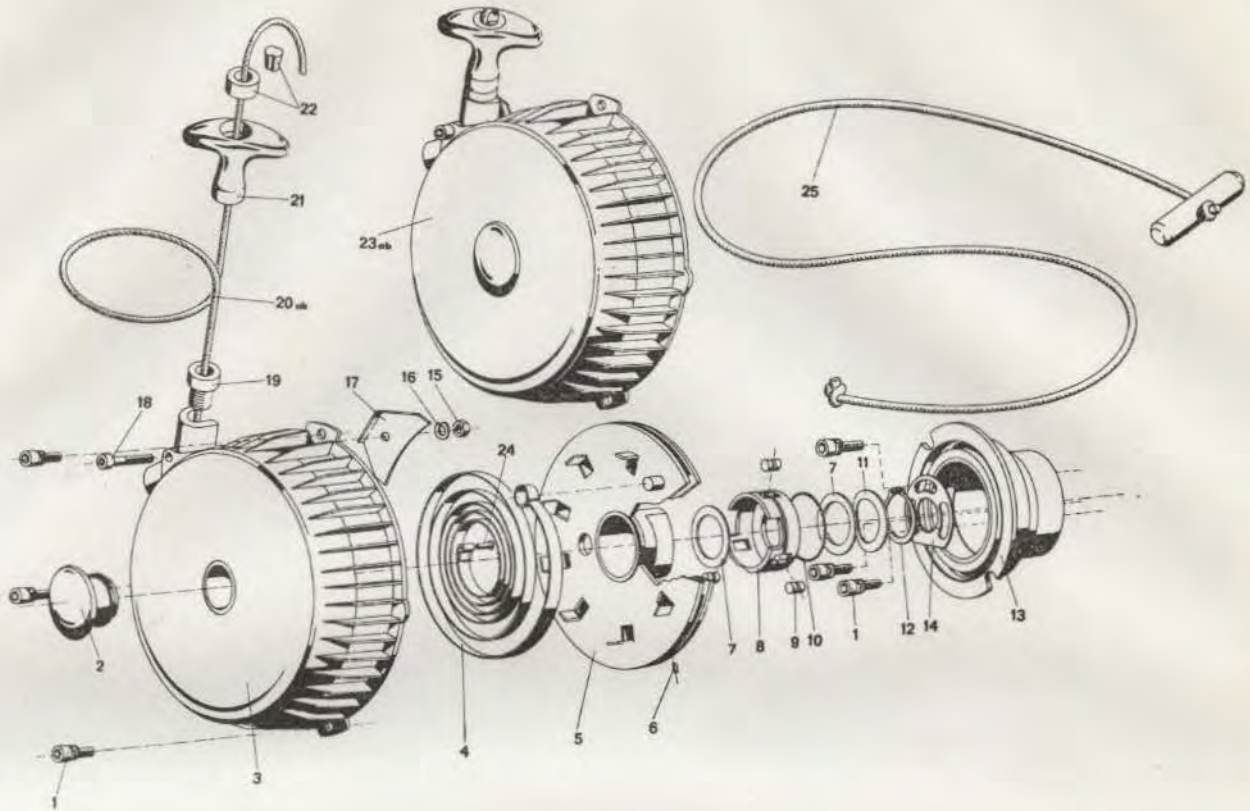


Ref. No.	Hirth Part Number	Description	Qty.
1	028.9/7	Security Ring	1
2	028.9/6	Stop Ring	1
3	028.9/5	Spring	1
4	028.9/4	Bearing Bushing	1
5	028.9/3	Drive Assembly	1
6	028.9/2	Armature	1
7	028.9/1	Bearing Bushing	1
8	028.9/9	Carbon Brush Set	1
9	028.3/10	Carbon Brush Spring	1
10	028.9	Pinion Starter	1
11	163 B 3	Ring Gear	1
12	M 6 DIN 934 glz.	Hexagon Nut	4
13	6 DIN 7980 glz.	Lock Washer	4

Ref. No.	Hirth Part Number	Description	Qty.
14	M 6x20 DIN 912	Ellern Screw	4
20	032.15	Relay	1
21	032.14	Resistor	1
22	032.12	Rectifier	1
23	032.11	Pull Switch	1
24	032.7	Starter Switch	1

RECOIL STARTER ASSEMBLY FOR MODEL 171R

Figure 23



Ref. No.	Hirth Part Number	Description	Qty.	Ref. No.	Hirth Part Number	Description	Qty.
1	M 6x18 Z 4-1 DIN 912 glz.	Ellern Screw	6	19	75 B 23	Rope Guide Bushing	1
2	15 B 20	Plug	1	20a	165 A 16	Wire Rope 2475 mm long	1
3	165 A 21 U	Starter Housing	1	20b	165 C 2	Wire Rope 2680 mm long	1
4	165 A 20	Spiral Spring	1	21	75 B 36	Handle	1
5	165 A 8 U	Curved Section	1	22	75 B 34 75 B 35	Clamp Ring Clamp Piece	1 1
6	3x8 DIN 1473	Pin	1	23a	165 D 1 U	Recoil Starter complete with wire rope 20a	1
7	15 A 17	Washer	1-2	23b	165 E 1 U	Recoil Starter complete with wire rope 20b	1
8	15 B 31	Cage	1	24	A 4x0.5x10 DIN 7340 AL	Pin - If a new spiral spring is mounted, this pin is not necessary.	1
9	75 B 16	Clamp Roller	3	25	65 F 3 U	Rope Assembly	1
10	75 B 17	Annular Spring	1				
11	15 A 19	Lock Washer	1-2				
12	32x1.5 DIN 471	Snap Ring	1				
13	165 A 1 U	Catch	1				
14	165 A 3	Security Plate	1				
15	M 6 DIN 934 glz.	Hex. Nut	1				
16	B 6 DIN 127 glz.	Lock Washer	1				
17	165 A 18	Cover Plate	1				
18	M 6x30 DIN 912 glz.	Ellern Screw	1				