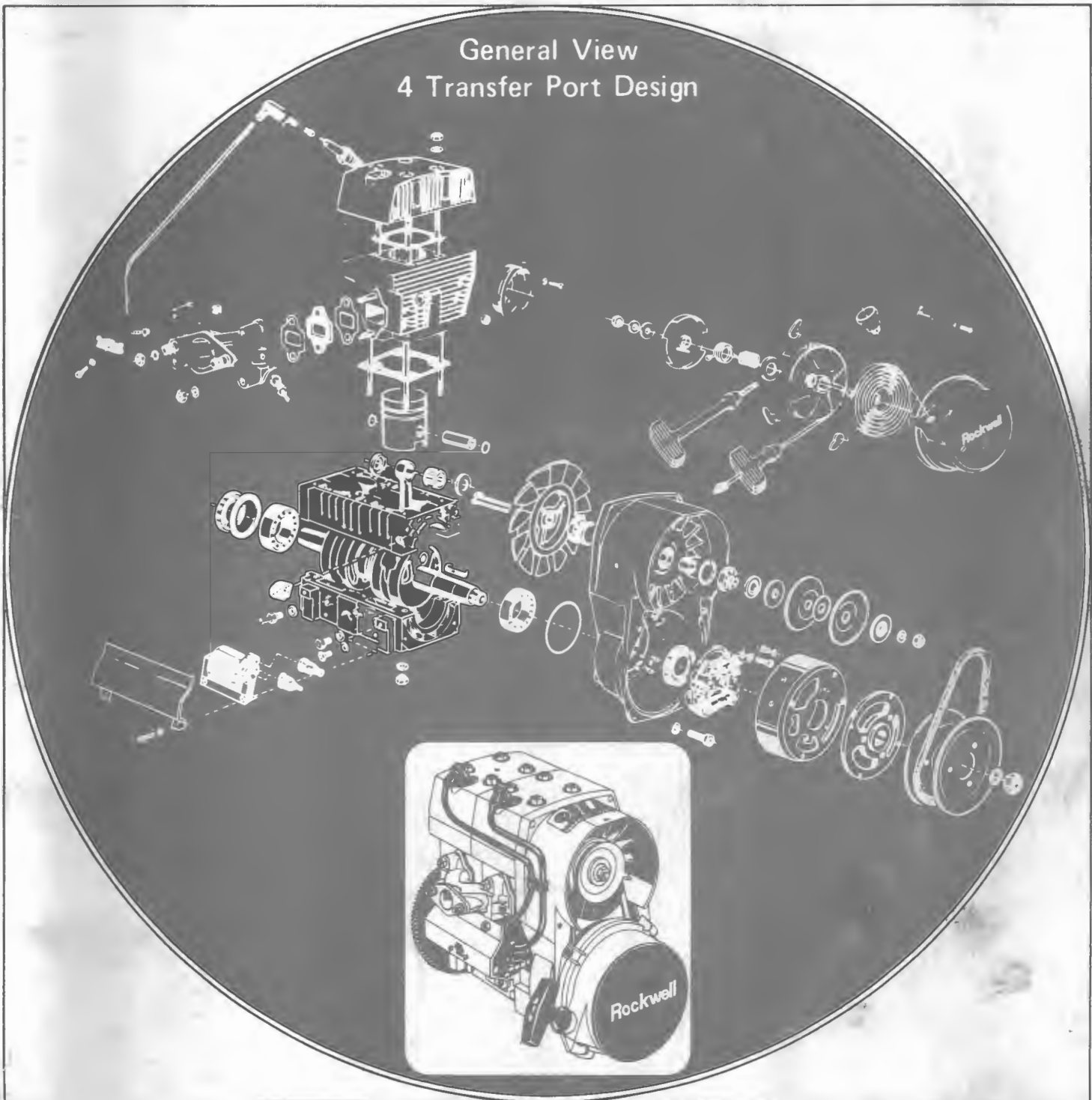


# ROCKWELL JLO ENGINES

Axial-Fan Cooled Twin Cylinder Engines  
Models 2F-295-2, 2F-340-6, 2F-400-8, 2F-440-8

## SPARE PARTS LIST

General View  
4 Transfer Port Design



### WHEN ORDERING SPARE PARTS:

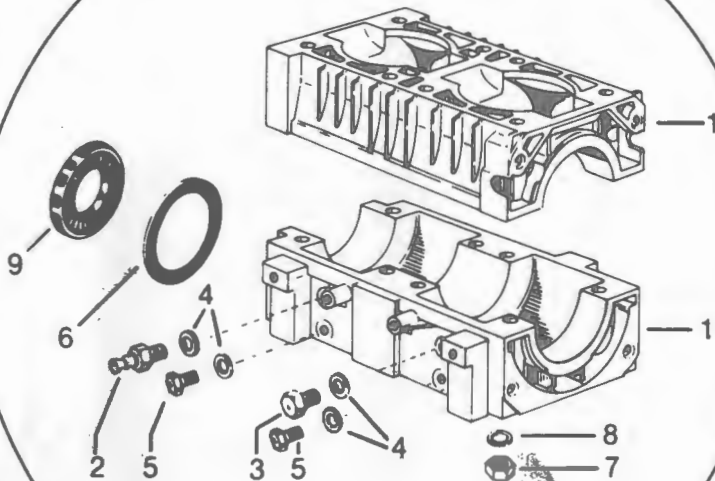
1. Indicate engine model number and serial number.
2. Order parts by part number, not by illustration number, and always use recommended replacement part unless otherwise indicated.
3. Give exact description of part required.
4. Specify quantity.

# ROCKWELL JLO ENGINES

Axial-Fan Cooled Twin Cylinder Engines  
 Models 2F-295-2, 2F-340-6, 2F-400-8, 2F-440-8

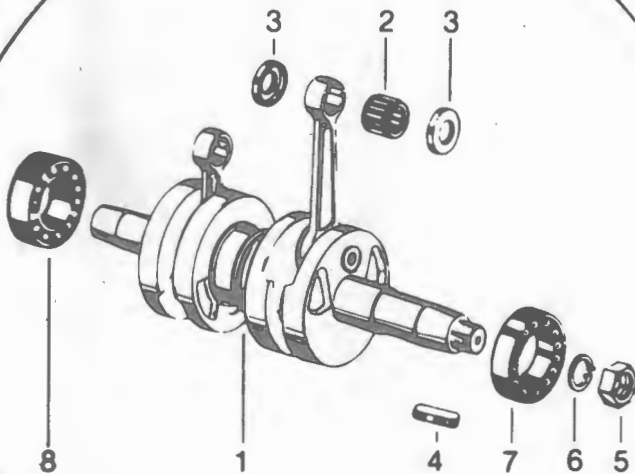
## SPARE PARTS LIST

### Crankcase

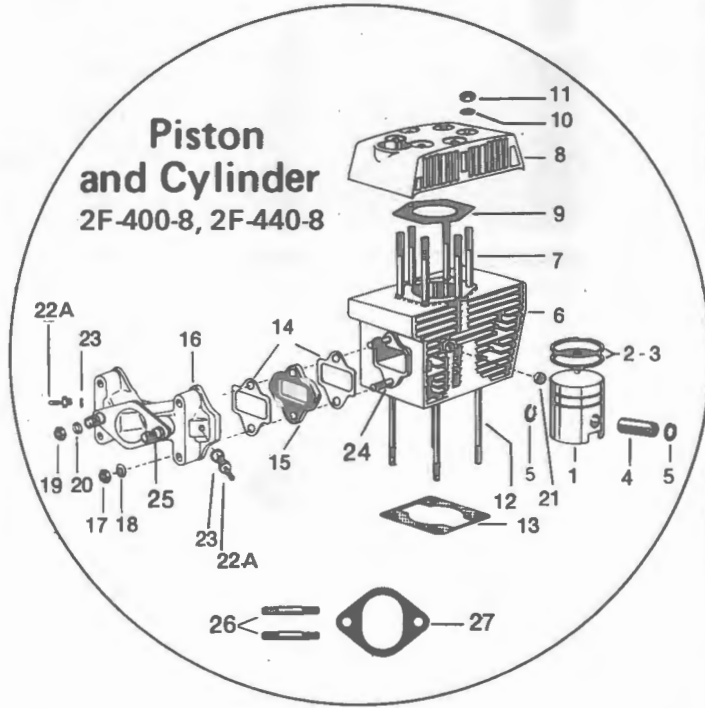
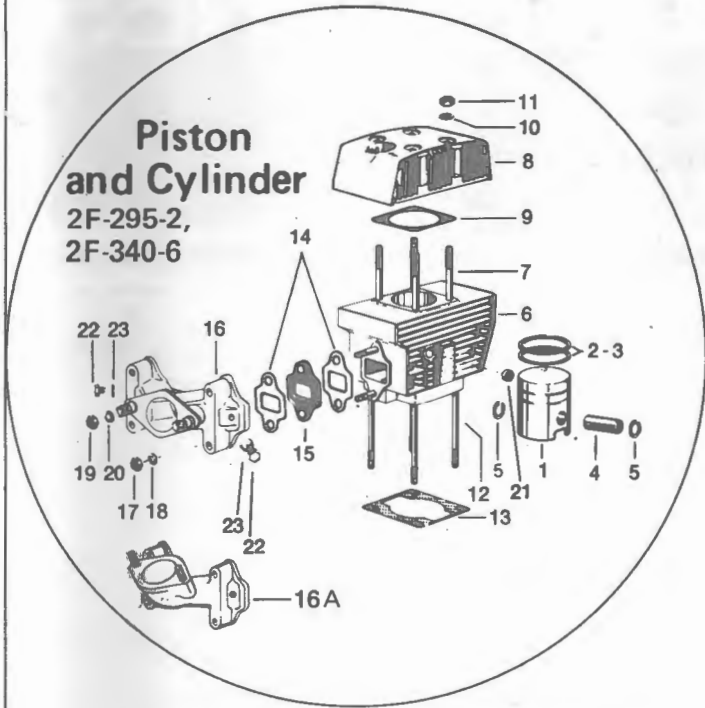


Illus. No.	Description	Part No.	Qty. Req'd.
1	Crankcase	291-01-803-0	1
2	Impulse Connector	See Kit "CC"	1
3	Plug	See Kit "CC"	1
4	Gasket Ring	See Kit "S & GG"	4
5	Plug	See Kit "CC"	2
6	Washer	338-03-007-0	1
7	Nut	See Kit "AA"	8
8	Spring Washer	See Kit "AA"	8
9	Oil Seal	See Kit "S & GG"	1

### Crankshaft



Illus. No.	Description	Part No.	Qty. Req'd.
1	Crankshaft, complete (inc. items 2 thru 6)	291-86-902-0	1
2	Needle Bearing	000-39-112-73	2
3	Check Plate	338-03-013-0	4
4	Key	See Kit "BB"	1
5	Nut	See Kit "BB"	1
6	Lock Washer	See Kit "BB"	1
7	Ball Bearing	000-39-075-23	1
8	Ball Bearing (Double Row)	000-39-061-68	1



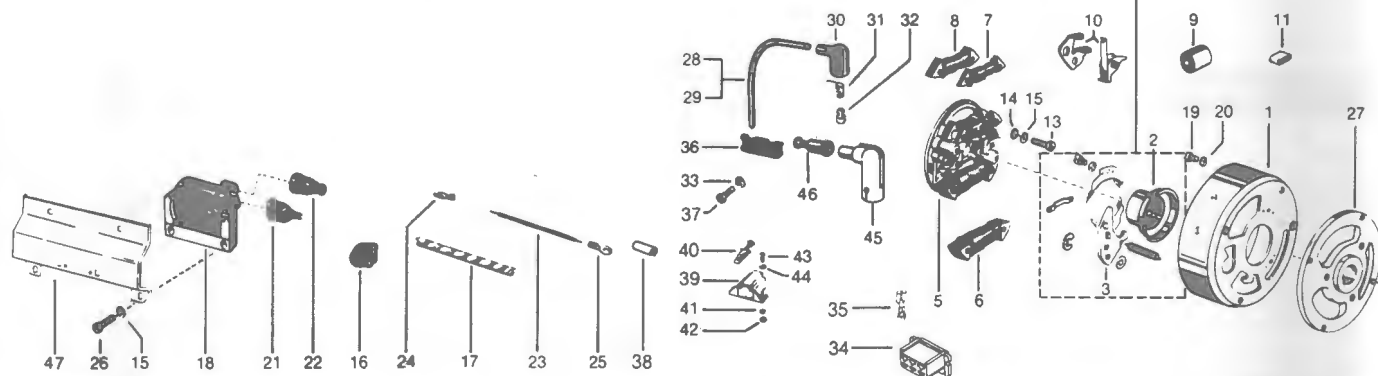
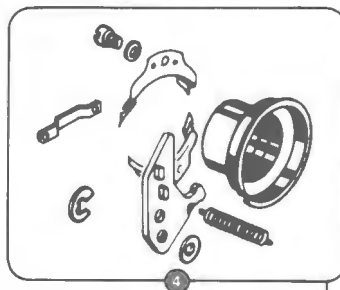
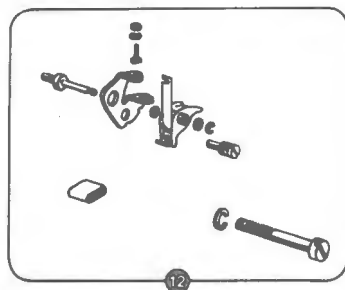
Model Numbers		2F-295-2	2F-340-6	2F-400-8	2F-440-8	
Illus. No.	Description	Part No.	Part No.	Part No.	Part No.	Qty. Req'd.
1	Piston, complete (including items 2 thru 5)	291-05-904-0	338-05-906-0	399-05-909-0	438-05-915-0	2
2&3	Piston Rings	—	000-42-153-75	000-42-154-16	000-42-154-32	4
	Piston Rings - 2F-295-2 only, (set of 2)	000-42-139-62	—	—	—	2
4	Wrist Pin	291-05-001-0	338-05-002-0	338-05-002-0	338-05-002-0	2
5	Circlip	000-40-621-42	000-40-621-42	000-40-621-42	000-40-621-42	4
6	Cylinder, complete (including items 1 thru 5, 7, and 21)	See Kit "U"	See Kit "X"	See Kit "MM"	See Kit "NN"	2
7	Stud (2F-295-2, 2F-304-6)	000-41-242-85	000-41-242-85	—	—	8
	Stud (2F-400-8, 2F-440-8)	—	—	000-41-240-54	000-41-240-54	12
8	Cylinder Head	291-07-011-0	338-07-063-0	399-07-015-0	438-07-013-0	2
9	Cylinder Head Gasket	See Kit "S"	See Kit "S"	See Kit "GG"	See Kit "GG"	2
10	Washer (2F-295-2, 2F-340-6)	See Kit "AA"	See Kit "AA"	—	—	8
	Washer (2F-400-8, 2F-440-8)	—	—	See Kit "AA"	See Kit "AA"	12
11	Nut	See Kit "AA"	See Kit "AA"	—	—	8
	Nut	—	—	See Kit "AA"	See Kit "AA"	12
12	Stud	000-41-243-60	000-41-243-60	000-41-243-60	000-41-243-60	8
13	Cylinder Base Gasket	See Kit "S"	See Kit "S"	See Kit "GG"	See Kit "GG"	—
14	Intake Gasket	See Kit "S"	See Kit "S"	See Kit "GG"	See Kit "GG"	4
15	Flange	338-07-041-0	338-07-041-0	399-07-012-0	399-07-012-0	2
16	Intake Manifold - HD (horizontal)	338-07-040-0	338-07-040-0	—	—	1
	Intake Manifold Assy. - HD (horizontal)	—	—	399-87-801-0	399-87-801-0	1
16A	Intake Manifold Assy.-HD (vertical)	338-87-820-1	338-87-820-1	—	—	1
17	Nut	See Kit "AA"	See Kit "AA"	See Kit "AA"	See Kit "AA"	4
18	Spring Water	See Kit "AA"	See Kit "AA"	See Kit "AA"	See Kit "AA"	4
19	Nut	See Kit "AA"	See Kit "AA"	See Kit "AA"	See Kit "AA"	2
20	Lock Washer	See Kit "AA"	See Kit "AA"	See Kit "AA"	See Kit "AA"	2
21	Transfer Port Plug	000-42-300-58	000-42-300-58	000-42-300-58	000-42-300-58	4
22	Plug (2F-295-2, 2F-340-6)	See Kit "CC"	See Kit "CC"	—	—	2
22A	Prime Nipple (2F-400-8, 2F-440-8)	—	—	See Kit "CC"	See Kit "CC"	2
23	Gasket Ring	See Kit "S"	See Kit "S"	See Kit "GG"	See Kit "GG"	2
24	Stud, Cyl. Intake (2F-400-8, 2F-440-8)	—	—	000-41-270-98	000-41-270-98	4
25	Stud, Intake Manifold (2F-400-8, 2F-440-8)	—	—	000-41-230-63	000-41-230-63	2
26	Stud, Cyl. Exhaust (2F-400-8, 2F-440-8)	—	—	000-41-270-89	000-41-270-89	4
27	Exhaust Gasket (2F-400-8, 2F-440-8)	—	—	See Kit "GG"	See Kit "GG"	2

# ROCKWELL JLO ENGINES

Axial-Fan Cooled Twin Cylinder Engines  
Models 2F-295-2, 2F-340-6, 2F-400-8, 2F-440-8

## SPARE PARTS LIST

### Electrical Equipment



Illus. No.	Description	Part No.	Qty. Req'd.	Illus. No.	Description	Part No.	Qty. Req'd.
1	Magneto Flywheel Assembly	000-43-051-82	1	24	Connector (Spade Type)	See Kit "HH"	4
2	Cam	See Kit "KK"	1	25	Connector (Eyelet Type)	See Kit "HH"	2
3	Centrifugal Weight	See Kit "KK"	1	26	Screw	See Kit "BB"	4
4	Parts Kit for Centrifugal Weight	See Kit "KK"	1	27	Flywheel Flange	338-11-022-0	1
5	Armature Plate Assembly, (including items 6 thru 12)	000-43-053-64	1	28	Ignition Cable (14")	See Kit "HH"	1
6	Lighting Coil - 120 Watt	000-43-055-49	1	29	Ignition Cable (20-7/16")	See Kit "HH"	1
7	Lighting Coil - 30 Watt	000-43-084-09	1	30	Spark Plug Connector	See Kit "HH"	2
8	Ignition Generating Coil	000-43-056-09	1	31	Spring	See Kit "HH"	2
9	Condenser	See Kit "FF"	2	32	Contact Nut	See Kit "HH"	2
10	Breaker Points (Set of 2)	See Kit "FF"	2	33	Spring Washer	See Kit "BB"	1
11	Lubricating Wick	See Kit "FF"	1	34	Connector Housing (Amp)	See Kit "HH"	1
12	Parts Kit for Points and Coils	See Kit "FF"	2	35	Connector (Spade Type)	See Kit "HH"	5
13	Screw	See Kit "BB"	2	36	Ignition Cable Bracket	See Kit "HH"	1
14	Washer	See Kit "BB"	2	37	Screw	See Kit "BB"	1
15	Lock Washer	See Kit "BB"	6	38	Sleeve	See Kit "HH"	1
16	Grommet	See Kit "HH"	2	39	Connector Housing (Packard)	002-44-556-00	1
17	Spiral Band	See Kit "HH"	1	40	Connector (Spade Type)	002-44-550-00	5
18	Ignition Coil	000-43-056-06	2	41	Lock Washer	000-40-645-04	2
19	Screw	See Kit "CC"	4	42	Nut	000-41-980-05	2
20	Lock Washer	See Kit "CC"	4	43	Screw	000-41-500-98	2
21	Protective Cap	See Kit "HH"	4	44	Washer	000-40-510-05	2
22	Protective Cap	See Kit "HH"	2	45	Spark Plug Connector (Shielded)	002-44-224-20	2
23	Ground Wire	See Kit "HH"	2	46	Protective Cap	002-44-499-50	2
				47	Cover Plate	338-11-008-2	1

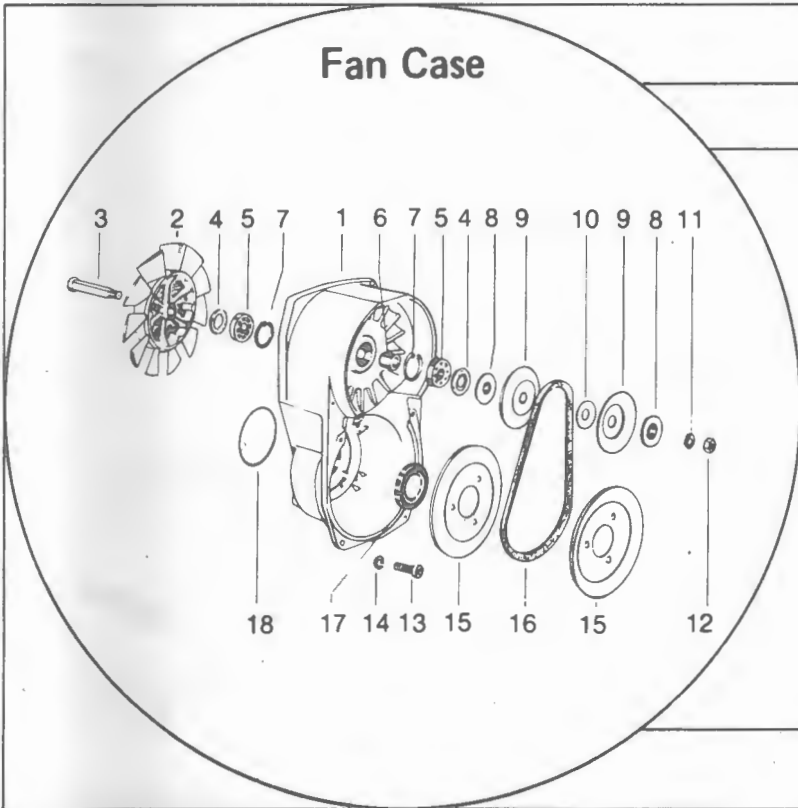
# ROCKWELL JLO ENGINES

Axial-Fan Cooled Twin Cylinder Engines  
 Models 2F-295-2, 2F-340-6, 2F-400-8, 2F-440-8

## SPARE PARTS LIST

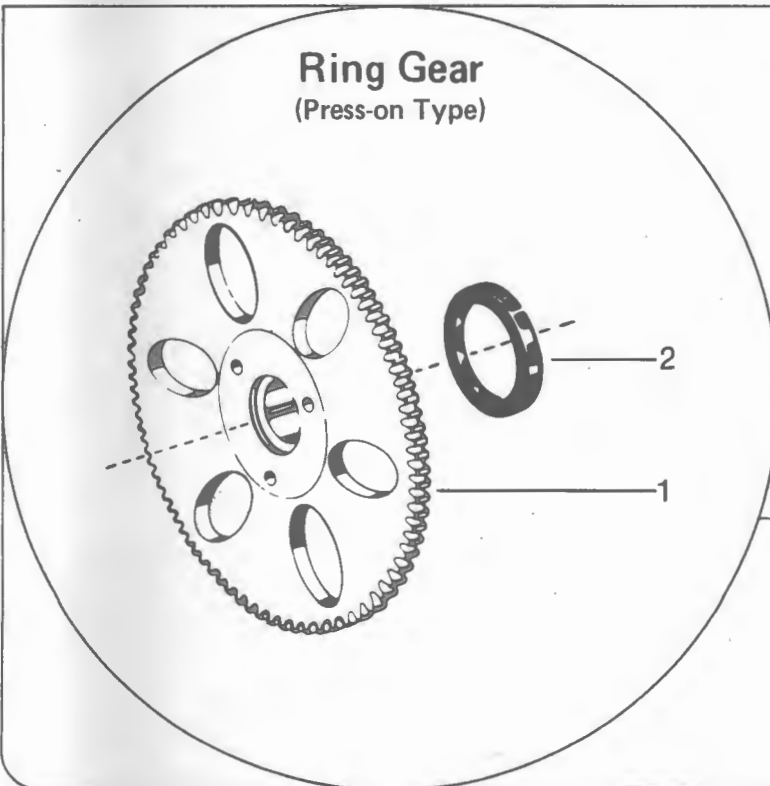
*KIT BB*

### Fan Case



Illus. No.	Description	Part No.	Qty. Req'd.
1	Fan Housing	338-14-002-0	1
2	Fan	291-14-003-0	1
3	Shaft	338-14-007-0	1
4	Nilos Ring	See Kit "CC"	2
5	Ball Bearing	000-39-071-13	2
6	Spacer	338-14-008-0	1
7	Circlip	See Kit "CC"	2
8	Clamp Washer	338-14-009-0	2
9	Pulley Half (Small)	399-14-002-0	2
10	Spacer	338-14-012-0	4
11	Lock Washer	See Kit "CC"	1
12	Nut	See Kit "CC"	1
13	Screw	See Kit "BB"	4
14	Lock Washer	See Kit "BB"	4
15	Pulley Half (Large)	439-14-005-0	2
16	V-Belt	000-42-175-07	1
17	Oil Seal	See Kits "S & GG"	1
18	O-Ring	See Kits "S & GG"	1

### Ring Gear (Press-on Type)

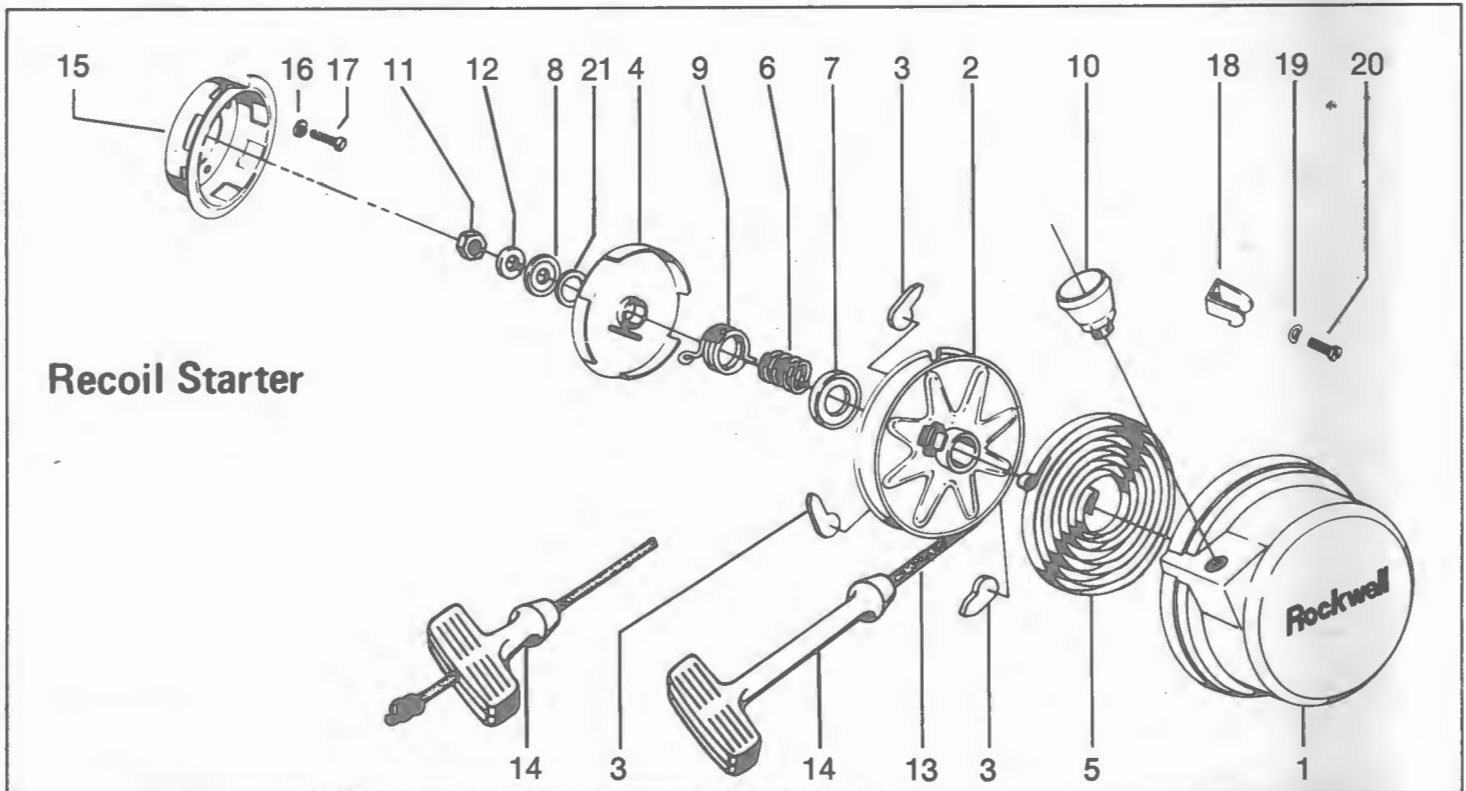


Illus. No.	Description	Part No.	Qty. Req'd.
1	Ring Gear with Oil Seal	See Kit "P"	1
2	Oil Seal Only	See Kits "P", "S" & "GG"	1

# ROCKWELL JLO ENGINES

Axial-Fan Cooled Twin Cylinder Engines  
Models 2F-295-2, 2F-340-6, 2F-400-8, 2F-440-8

## SPARE PARTS LIST



Illus. No.	Description	Part No.	Qty. Req'd.
	Recoil Starter, complete		
	Long Handle Type (Std)	291-41-806-0	1
	Short Handle Type (Optional)	291-41-804-0	1
1	Recoil Starter Housing	002-46-602-00	1
2	Pulley	002-46-603-00	1
3	Pawl	See Kit "W"	3
4	Friction Plate	002-46-605-00	1
5	Recoil Spring	See Kit "W"	1
6	Friction Spring	See Kit "W"	1
7	Cup Washer	See Kit "W"	1
8	Thrust Washer	See Kit "W"	1
9	Torsion Spring	See Kit "W"	1
10	Rope Guide	See Kit "W"	1
11	Hex. Nut	See Kit "W"	1
12	Spring Washer	See Kit "W"	1
13	Rope (Long)	See Kit "W"	1
14	Handle (Long)	002-46-620-00	1
—	Handle (Short)	002-46-621-00	1
15	Carrier	291-41-003-0	1
16	Lock Washer	See Kit "AA"	3
17	Screw	See Kit "AA"	3
18	Starter Clamp	See Kit "AA"	4
19	Lock Washer	See Kit "AA"	4
20	Screw	See Kit "AA"	4
*21	Washer	See Kit "W"	1

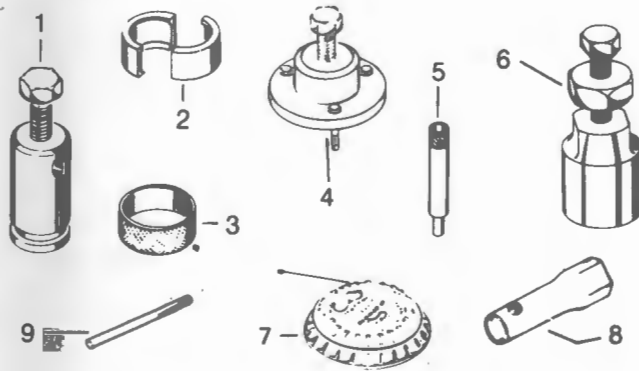
\*Use only if clearance is less than .020"

# ROCKWELL JLO ENGINES

Axial-Fan Cooled Twin Cylinder Engines  
 Models 2F-295-2, 2F-340-6, 2F-400-8, 2F-440-8

## SPARE PARTS LIST

### Special Service Items



Illus. No.	Description	Part No.	Qty. Req'd.
1	Bearing Puller	444-31-807-0	1
2	Half Shells (Set of 2)	444-31-072-1	1
3	Retaining Ring	444-31-071-0	1
4	Flywheel/Ring Gear Puller	444-31-843-2	1
5	Guide Pin	444-31-666-0	1
6	Ring Gear Tool	444-31-886-0	1
7	RPM Indicator	000-15-300-10	1
8	Spark Plug Wrench	000-15-204-23	1
9	Bar	000-15-210-12	1

## PARTS KITS

Parts Kit "AA"

Part No. 291-71-801-0  
 Nuts, Bolts, Washers

← ORDER BY THIS  
 NUMBER ONLY

Engine Serial Numbers

Includes:

All

Nut (Cyl. Head), 10 mm. (2F-295-2, 2F-340-6)  
 Washer (Cyl. Head), 10 mm. (2F-295-2, 2F-340-6)  
 Nut (Cyl. Head), 8 mm. (2F-400-8, 2F-440-8)  
 Washer (Cyl. Head), 8 mm. (2F-400-8, 2F-440-8)  
 Washer (Exhaust), 8 mm. (2F-400-8, 2F-440-8)  
 Nut (Exhaust), 8 mm. (2F-400-8, 2F-440-8)  
 Nut (Cyl. Base), 8 mm.  
 Spring Washer (Cyl. Base), 8 mm.  
 Nut (Intake Manifold), 8 mm.  
 Spring Washer (Intake Manifold), 8 mm.  
 Nut (Carburetor), 10 mm.  
 Lock Washer (Carburetor), 10 mm.  
 Recoil Starter Clamp (Aluminum Starter)  
 Screw (Aluminum Starter), 6 mm.  
 Lock Washer (Aluminum Starter), 6 mm.  
 Screw (Carrier), 6 mm.  
 Lock Washer (Carrier), 6 mm.

DO NOT  
 ORDER  
 BY THESE  
 NUMBERS

Part Number	Qty. Req'd.
000-41-970-11	8
000-40-510-10	8
000-41-970-10	12
000-40-510-09	12
000-40-645-08	4
000-41-970-10	4
000-41-970-10	8
000-40-422-09	8
000-41-970-10	4
000-40-422-09	4
000-41-960-11	2
000-40-422-10	2
338-41-016-0	4
000-41-750-30	4
000-40-422-08	4
000-41-010-67	3
000-40-645-06	3

# PARTS KITS

Parts Kit "BB"	Part No. 291-71-802-0 ← ORDER BY THIS NUMBER ONLY Nuts, Bolts, Washers	Engine Serial Number																									
Includes:		All																									
Screw (Fan Housing), 8 mm. Lock Washer (Fan Housing), 8 mm. Screw (Armature Plate), 5 mm. Washer (Armature Plate), 5 mm. Lock Washer (Armature Plate), 5 mm. Screw (Coil Cover), 5 mm. Lock Washer (Coil Cover), 5 mm. Screw (Ignition Cable Bracket), 6 mm. Spring Washer (Ignition Cable Brkt.), 6 mm. Nut (Crankshaft), 20 mm. Lock Washer (Crankshaft), 20 mm. Crankshaft Key	DO NOT ORDER BY THESE NUMBERS	Part Number	Qty. Req'd.	000-41-741-28	4	000-40-646-07	4	000-41-501-16	2	000-40-510-06	2	000-40-645-05	2	000-41-501-20	4	000-40-645-05	4	000-41-501-38	1	000-40-422-08	1	000-41-955-07	1	000-40-645-20	1	000-40-896-15	1
	Part Number	Qty. Req'd.																									
	000-41-741-28	4																									
	000-40-646-07	4																									
	000-41-501-16	2																									
	000-40-510-06	2																									
	000-40-645-05	2																									
	000-41-501-20	4																									
	000-40-645-05	4																									
	000-41-501-38	1																									
	000-40-422-08	1																									
000-41-955-07	1																										
000-40-645-20	1																										
000-40-896-15	1																										
Includes:		All																									
Screw (Magneto), 6 mm., (150 Watt System) Lock Washer (Magneto), 6 mm. Nut (Fan), 10 mm. Lock Washer (Fan), 10 mm. Circlip (Fan Bearing) Nilos Ring (Fan Bearing) Screw (Drain), 8 mm Plug (Impulse Hole) Impulse Nipple Nipple (Primer) Plug	DO NOT ORDER BY THESE NUMBERS	Part Number	Qty. Req'd.	000-41-504-34	4	000-40-422-08	4	000-41-952-02	1	000-40-645-10	1	000-40-614-32	2	000-40-477-35	2	000-41-010-89	2	000-41-480-53	1	291-01-001-0	1	338-07-038-0	2	338-07-039-0	2		
	Part Number	Qty. Req'd.																									
	000-41-504-34	4																									
	000-40-422-08	4																									
	000-41-952-02	1																									
	000-40-645-10	1																									
	000-40-614-32	2																									
	000-40-477-35	2																									
	000-41-010-89	2																									
	000-41-480-53	1																									
	291-01-001-0	1																									
338-07-038-0	2																										
338-07-039-0	2																										
Includes:		All																									
Ignition Point (Set) Condenser Screw (Points) Washer (Points) Screw (Point Wires) Lock Washer (Point Wires) Hex Nut (Point Wires) Pivot Pin (Points) Washer (Pivot Pin) Screw (Coil) Lubricating Wick	DO NOT ORDER BY THESE NUMBERS	Part Number	Qty. Req'd.	000-43-062-24	2	000-43-065-16	2		2		2		2		2	000-43-131-01	2		2		2		4		1		
	Part Number	Qty. Req'd.																									
	000-43-062-24	2																									
	000-43-065-16	2																									
		2																									
		2																									
		2																									
		2																									
	000-43-131-01	2																									
		2																									
		2																									
	4																										
	1																										



# PARTS KITS

<b>Parts Kit "GG"</b>	Part No. 399-61-803-0 ← Gaskets-2F-400-8, 2F-440-8	ORDER BY THIS NUMBER ONLY	Engine Serial Numbers
<b>Includes:</b>			<b>All</b>
		<b>DO NOT ORDER BY THESE NUMBERS</b>	<b>Qty. Req'd.</b>
		<b>Part Number</b>	
O-Ring (Fan Housing) Oil Seal (Manual Start), P.T.O. side Oil Seal (Fan Housing) Oil Seal (Electric Start) Gasket (Impulse Nipple), 8 mm. Cylinder Head Gasket (2F-400-8) Cylinder Head Gasket (2F-440-8) Cylinder Base Gasket Red           0.3 mm. (.012") Black        0.5 mm. (.020") Light Green  0.75 mm. (.030") Dark Green  1.0 mm. (.040") Gasket (Intake Manifold) Gasket (Primer Nipple) Gasket (Exhaust)		002-52-665-00 000-42-315-78 000-42-315-48 000-42-319-45 000-35-000-84 399-07-013-0 438-07-014-0  338-07-025-0 338-07-008-0 338-07-026-0 338-07-027-0 399-07-011-0 000-35-000-54 399-07-008-0	1 1 1 1 4 2 2  2 2 2 2 2 2 2

<b>Parts Kit "HH"</b>	Part No. 291-71-804-0 ← Ignition Components	ORDER BY THIS NUMBER ONLY	Engine Serial Numbers
<b>Includes:</b>			<b>All</b>
		<b>DO NOT ORDER BY THESE NUMBERS</b>	<b>Qty. Req'd.</b>
		<b>Part Number</b>	
Ignition Cable (14") Ignition Cable (20-7/16") Spark Plug Connector Spring Contact Nut Ignition Cable Bracket Grommet, (10 holes) Spiral Band Ground Wire Connector (Eyelet Type) Connector (Spade Type) Connector Housing (AMP) Connector (Spade Type), AMP Protective Cap (Ignition Cable) Protective Cap (Ground Wire) Sleeve (Ignition & Light Wires)		002-44-152-36 002-44-152-52 002-44-275-00 002-44-276-00 002-44-277-90 291-11-006-0 002-44-450-01 002-44-127-50 002-44-140-11 000-43-100-04 002-44-523-00 291-11-004-0 002-44-532-49 002-44-499-00 002-44-498-00 002-44-472-90	1 1 2 2 2 1 2 1 2 2 4 1 5 2 4 1

<b>Parts Kit "KK"</b>	Part No. 291-71-806-0 ← Magneto Flywheel Components	ORDER BY THIS NUMBER ONLY	Engine Serial Numbers
<b>Includes:</b>			<b>All</b>
		<b>DO NOT ORDER BY THESE NUMBERS</b>	<b>Qty. Req'd.</b>
		<b>Part Number</b>	
Cam Camholder Spring Holder Screw (Camholder) Spring Washer (Camholder) Spiral Spring Washer (Centrifugal Weight) Circlip (Centrifugal Weight) Centrifugal Weight		000-43-057-31         000-43-131-09    000-43-060-21	1 2 1 2 2 1 1 1 1 1

# PARTS KITS

<b>Parts Kit "MM"</b>	Part No. 399-92-903-0 ← Cylinder and Piston Assembly	ORDER BY THIS NUMBER ONLY	Engine Serial Numbers		
Includes:			All		
Piston, complete with Rings, Wrist Pin and Circlips Cylinder, complete with Upper Studs and Transfer Port Plugs Stud (Intake Manifold) Stud (Exhaust)			DO NOT ORDER BY THESE NUMBERS	Part Number	Qty. Req'd.
				399-05-909-0	1
				399-07-810-0	1
				000-41-270-98	2
				000-41-270-89	2
<b>Parts Kit "NN"</b>	Part No. 438-92-904-0 ← Cylinder and Piston Assembly	ORDER BY THIS NUMBER ONLY	Engine Serial Numbers		
Includes:			All		
Piston, complete with Rings, Wrist Pins and Circlips Cylinder, complete with Upper Studs and Transfer Port Plugs Stud (Intake Manifold) Stud (Exhaust)			DO NOT ORDER BY THESE NUMBERS	Part Number	Qty. Req'd.
				438-05-915-0	1
				438-07-820-0	1
				000-41-270-98	2
				000-41-270-89	2
<b>Parts Kit "P"</b>	Part No. 399-71-807-0 ← Ring Gear	ORDER BY THIS NUMBER ONLY	Engine Serial Numbers		
Includes:			All		
Ring Gear Oil Seal			DO NOT ORDER BY THESE NUMBERS	Part Number	Qty. Req'd.
				291-11-801-0	1
				000-42-319-45	1
<b>Parts Kit "S"</b>	Part No. 291-61-801-1 ← Gaskets - 2F-295-2, 2F-340-6	ORDER BY THIS NUMBER ONLY	Engine Serial Numbers		
Includes:			All		
O-Ring (Fan Housing) Oil Seal (Manual Start), P.T.O. side Oil Seal (Fan Housing) Oil Seal (Electric Start), For Press-on Ring Gear Oil Seal (Electric Start), For Clamp-on Ring Gear Gasket (Impulse Nipple), 8 mm. Cylinder Head Gasket (2F-295-2) Cylinder Head Gasket (2F-340-6) Cylinder Base Gasket Red                   0.3 mm. (.012") Black                0.5 mm. (.020") Light Green        0.75 mm. (.030") Dark Green         1.0 mm. (.040") Gasket (Intake Manifold) Gasket (Primer Nipple)			DO NOT ORDER BY THESE NUMBERS	Part Number	Qty. Req'd.
				002-52-665-00	1
				000-42-315-78	1
				000-42-315-48	1
				000-42-319-45	1
				000-42-318-91	1
				000-35-000-84	4
				291-07-005-0	2
				338-07-007-0	2
				338-07-025-0	2
				338-07-008-0	2
				338-07-026-0	2
				338-07-027-0	2
				338-07-011-0	4
				000-35-000-54	2

# PARTS KITS

<b>Parts Kit "U"</b>	Part No. 291-92-901-0 ← Cylinder and Piston Assembly	ORDER BY THIS NUMBER ONLY	Engine Serial Numbers	
Includes:			All	
Piston, complete with Rings, Wrist Pin and Circlips Cylinder, complete with Upper Studs and Transfer Port Plugs			<b>DO NOT ORDER BY THESE NUMBERS</b>	<b>Qty. Req'd.</b>
			<b>Part Number</b>	
			291-05-904-0 291-07-803-1	1 1

<b>Parts Kit "W"</b>	Part No. 291-62-801-0 ← Recoil Starter	ORDER BY THIS NUMBER ONLY	Engine Serial Numbers	
Includes:			All	
Recoil Spring Starter Pawl Washer Pressure Spring Torsional Spring Rope (Long) Rope Bushing Nut Washer Washer			<b>DO NOT ORDER BY THESE NUMBERS</b>	<b>Qty. Req'd.</b>
			<b>Part Number</b>	
			002-46-606-00	1
			002-46-604-00	3
			002-46-608-00	1
			002-46-607-00	1
			002-46-610-00	1
			002-46-619-00	1
			002-46-611-00	1
			002-46-612-00	2
002-46-609-00	2			
002-46-613-00	1			

<b>Parts Kit "X"</b>	Part No. 338-92-901-0 ← Cylinder and Piston Assembly	ORDER BY THIS NUMBER ONLY	Engine Serial Numbers	
Includes:			All	
Piston, complete with Rings, Wrist Pin and Circlips Cylinder, complete with Upper Studs and Transfer Port Plugs			<b>DO NOT ORDER BY THESE NUMBERS</b>	<b>Qty. Req'd.</b>
			<b>Part Number</b>	
			338-05-906-0 338-07-806-0	1 1

## WARRANTY

For one year from purchase date in the case of industrial engines or ninety days from the purchase date in the case of vehicle engines, Rockwell International will replace for the original purchaser any part or parts found, upon examination by an authorized service outlet or by central warehouse distributor, to be defective in material and/or workmanship.

All transportation charges on parts submitted for warranty shall be borne by purchaser.

This warranty shall not apply to the Company's products which must be replaced or repaired due to normal wear, misuse, negligence or accident or which have been repaired or altered outside the Company's authorized service outlets.

There is no other warranty expressed or implied; and the Company shall be under no liability whatsoever in respect of any loss, damage, injury or expense arising from any defect in said product or products.



**Engine Division**  
Rockwell International