

ILLUSTRATED PARTS CATALOGUE

FOR

**CCW TWO CYLINDER, TWO STROKE,
AIR COOLED ENGINES**

(REVISED MAY 1972)

MODEL CCW 290

SERIAL NUMBER COMMENCING

30

40

50



CANADIAN CURTISS-WRIGHT, LIMITED

6503 NORTHAM DRIVE, MISSISSAUGA, ONTARIO

EXPLANATION OF SERIAL NO. REFERENCE

All engines in this Parts Book are referenced by Model Number and Serial Number. This is done to facilitate location of the correct Part Numbers since the year of manufacture is not always known and modifications are not performed annually. Serial Numbers are seven digits in length and the number plate is located on the fan cover of the engine.

WHEN ORDERING PARTS:

When ordering parts please call up the appropriate Part Number, the name of the item and the quantity desired. Also, please specify engine Model Number and Serial Number.

NOTE: Failure to quote the Serial Number may result in delay and supply of incorrect parts.

SPECIAL TOOLING FOR CCW ENGINES:

This Part's List contains a selection of special tools for CCW engines. These are available and may be ordered by the Part Numbers provided on Page 17. The uses of these tools are fully described in the current service manuals on CCW engines.

Important: Where mentioned, the following suffixes mean

- S – Manual Start**
- G – Ring Gear Equipped**
- E – Electric Start**

INDEX

CRANKCASES	8	HIGH TENSION COILS & LEADS..	16
CRANKSHAFTS	6-7	FLYWHEELS	14-15
CYLINDERS & HEADS	9	NUMERICAL INDEX	3
ENGINE COVERS	12	ORDERING PARTS – INSTRUCTIONS	2
EXHAUST MANIFOLDS	19	PISTONS	6-7
FAN BELTS	10	RECOIL STARTER	11
FAN GUARD.....	20	RECTIFIERS & RESISTERS	17
FAN HOUSINGS	10	SERIAL NO. REFERENCE, EXPLANATION	2
GASKET KITS	9	SPECIAL TOOLING	2
INTAKE MANIFOLDS	18	STARTER MOTOR	21
MAGNETO – COIL ASSEMBLY – DENSO	13	TOOLS & ACCESSORIES	17

NUMERICAL INDEX

FOR MODEL: CCW 290

Part No.	Key	Page	Part No.	Key	Page	Part No.	Key	Page
10000150	3	8	11000470	13	7	18000780	9	16
10000821	2	11				18000811	12	13
10000830	3	11	12000220	4	8	18000821	–	13
10000840	4	11	12001030	8	11	18000870	20	10
10000890	5	11	12001040	9	11	18000880	1	11
10000900	6	11	12001071	11	11	18000890	7	10
10000910	7	11	12001080	12	11	18000900	8	10
10000930	13	11	12001550	5	18	18000910	8	10
10000940	14	11	12905016	17	13	18000950	5	10
10906010	5	12	12905018	17	13	18000960	6	10
	3	19	12905045	4	20	18000970	14	10
10906012	17	10				18000990	11	10
	5	12	13000330	9	8	18001082	18	10
	3	19		–	9	18001083	18	10
10906015	17	11	13000340	8	8	18001090	11	16
	5	20	13001090	7	8	18001120	15	10
10906020	20	11				18001121	15	10
10906022	20	11	18000080	3	7	18001200	12	11
10908020	–	8	18000140	5	8	18001330	–	8
	10	21	18000170	6	8		10	21
10908030	12	8	18000410	3	18	18001350	12	16
10908040	13	8	18000411	3	18	18070000	3	12
			18000420	4	18	18100001	2-16	11
11000070	21	8	18000571	14	13	18100002	2-16	11
11000190	20	8	18000581	–	16	18110001	10	11
11000330	4	9	18000750	13	16	18903010	27	13
11000422	7	16	18000760	4	12	18904007	24	13
11000431	6	16	18000771	13	13	18904008	23	13

NUMERICAL INDEX Cont.

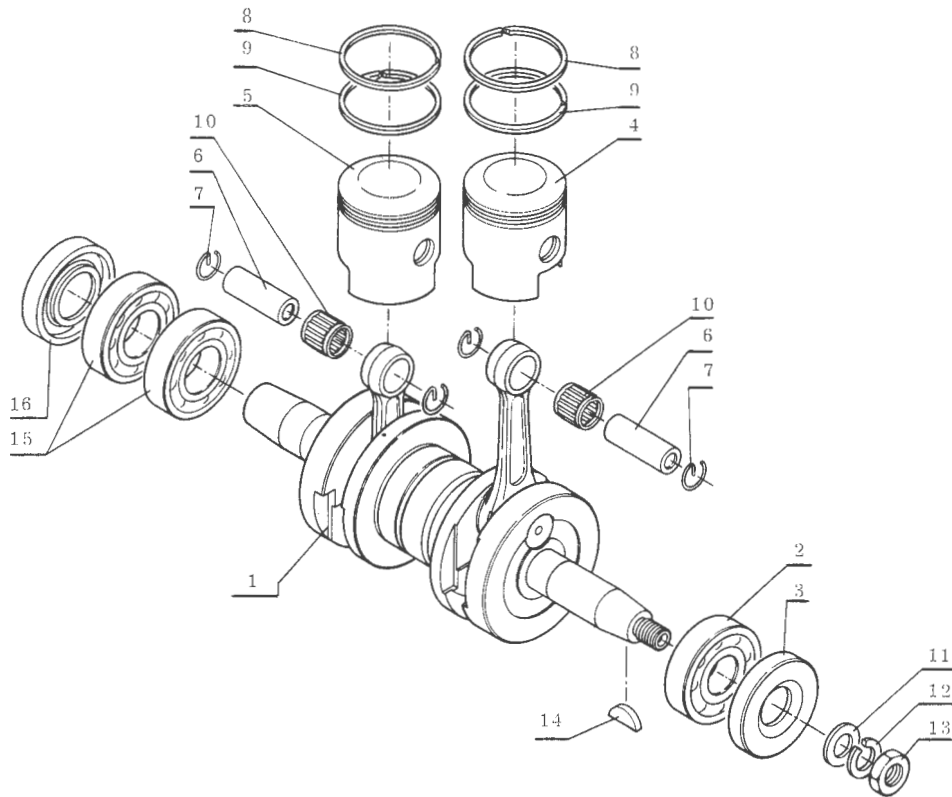
Part No.	Key	Page	Part No.	Key	Page	Part No.	Key	Page
18904010	22	13	30005000	-	13	40000350	5	9
18905030	19	13	30006000	1	10	40000440	1	19
18905032	18	13	30008000	2	12	40000450	2	19
			30140000	2	10	40001090	19	10
19000550	10	13	30150000	1-8	21			
			30210000	9	21	40080000	2	12
25000410	3	13	30500000	1-3	7	40500000	1-3	7
25000420	4	13	30510000	1	13	40560000	1,3-4	9
25000430	5	13	30540000	8-9	7	40580000	2-4	9
25000440	6	13	30550000	-	9			
25000450	7	13	30550001	-	9	43070620	-	17
25000460	8	13	30560000	1,3-4	9	43071270	12	17
25000490	4	16	30580000	2-4	9	43071510	11	17
25000500	5	16	30590000	-	13	43071940	-	17
25000510	3	16		1	15	43079090	8	17
25000520	1	16	30600000	-	13	43079170	6	17
25000530	2	16	30610000	1-5	17	43079250	10	17
25000540	3	15	30640000	5-9	7	43079760	7	17
25000550	4	15	30750000	4	21	43079840	9	17
25000560	5	15	30760000	1	21			
25000570	6	15	30780000	6	21	45000080	16	7
25000580	7	15	30800000	1-2	8	45900003	25	13
25000600	9	15	30820000	4,6-9	7	45900004	20	13
25520000	-	13	30840000	3	21	45900005	15	13
	-	15	30850000	5	21		2	20
						45900006	16	10
30000080	10	7	35000970	20	10		19	11
30000140	10	8	35000980	7	10		7	12
30000150	11	8	35001000	8	10		5	19
30000180	4	7	35001040	10	10		7	20
30000190	5	7	35001060	3	10	45900008	18	8
30000200	6	7					10	9
30000211	7	7	36001300	2	13	45900012	12	10
30000220	8	7	36001320	5	13	45900014	11	7
30000230	9	7	36001330	8	13			
30000250	15	9	36001340	9	13	47900003	26	13
30000251	15	9	36001350	3	15	47900004	21	13
30000310	7	9	36001360	4	15	47900005	16	13
30000320	9	9	36001370	5	15		3	20
30000330	13	9	36001380	4	13	47900006	18	11
30000340	6	9	36050000	-	13		6	12
30000350	5	9	36510000	1	13		4	19
30000360	8	9	36520000	-	13		6	20
30000370	3	9		-	15	47900008	16	8
30000380	16	9					22	8
30000390	1	18	37900008	15	8		11	9
30000420	14	9		23	8		15	11
30000421	14	9		12	9		11	21
30000430	2	18				47900012	13	10
30000440	1	19	38000780	9	16	47900014	12	7
30000450	2	19	38001440	14	7			
30000550	2	13	38001940	15	8	50000340	6	9
30000600	10	15		23	8	50000350	5	9
30001080	1	20		12	9	50000600	10	15
30001180	1	12	38001910	6	18	50001180	1	12
30001220	9	21				50001380	12	8
30002800	2	21	39900008	16	11	50001390	13	8
30002810	7	21				50060001	1	10
30002820	8	21	40000340	6	9	50500000	1-3	7
						50590000	-	13

NUMERICAL INDEX Cont.

Part No.	Key	Page			
50590000	1	15			
50600000	—	13			
50800000	1-2	8			
52900024	19	10			
56900008	17	8			
	10	9			
	6	18			
64906305	2	7			
64936206	15	7			
66906203	3	10			

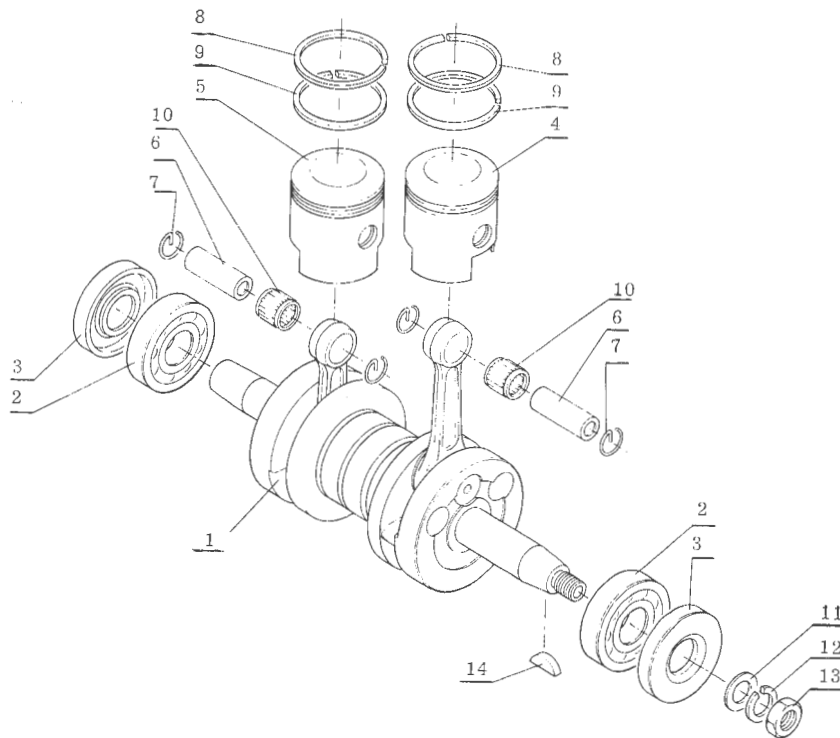
CANADIAN CURTISS-WRIGHT LIMITED

Two Cylinder Engines



SERIAL NUMBER
COMMENCING
50

PISTON AND CRANKSHAFT



SERIAL NUMBER
COMMENCING
30

40

CCW 290 ALL MODELS

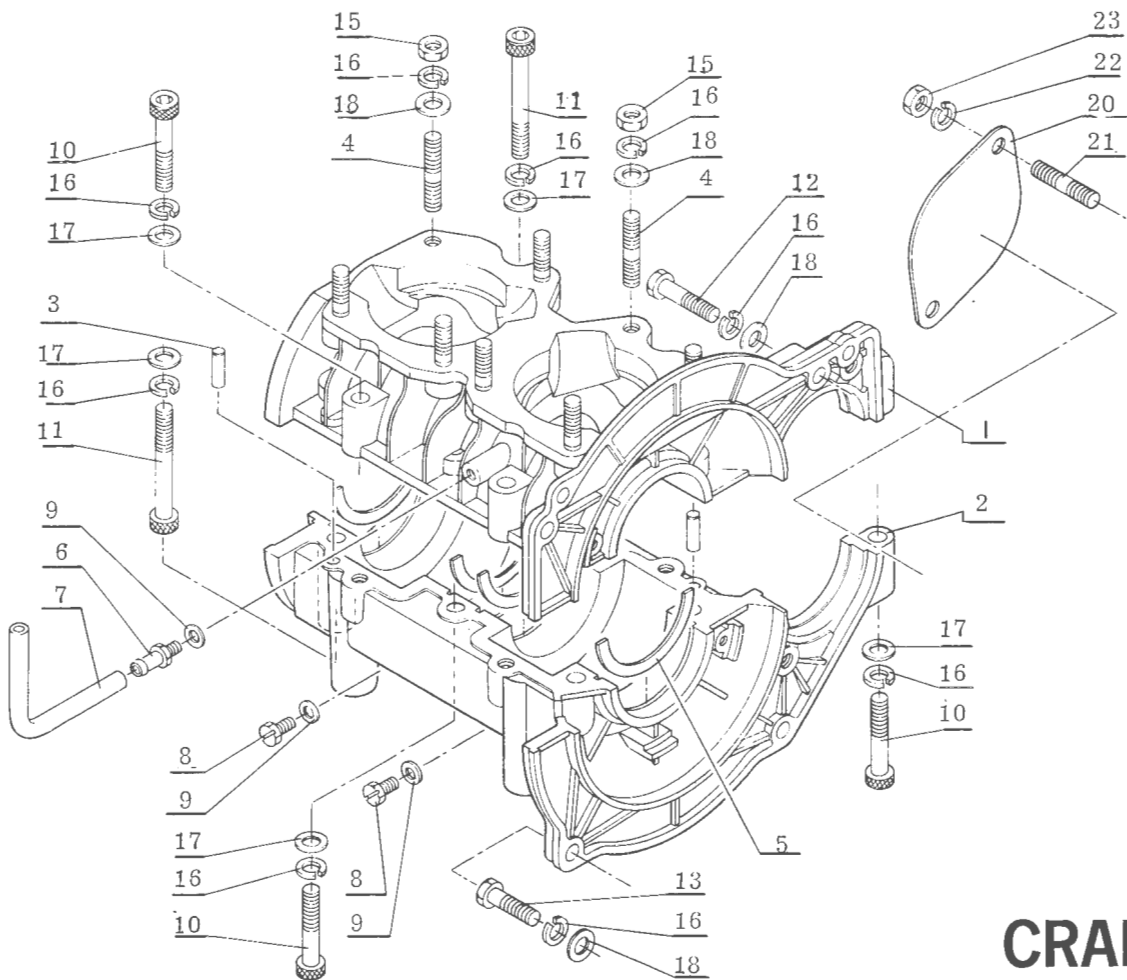
SERIAL NUMBER COMMENCING

3000000 4000000 5000000

KEY	DESCRIPTION	QTY.	PART NO.	PART NO.	PART NO.	REMARKS
1-3	CRANKSHAFT ASSY.	1	30500000	40500000	50500000	
2	– BALL BEARINGS	3-4	64906305	64906305	64906305*	*3 REQUIRED
3	– OIL SEAL	3-4	18000080	18000080	18000080*	*3 REQUIRED
4,6-9	PISTON ASSY. (Fan End)	1	30820000	30820000	30820000	
5-9	PISTON ASSY. (P.T.O. End)	1	30640000	30640000	30640000	
4	– PISTON (Fan End)	1	30000180	30000180	30000180	
5	– PISTON (P.T.O. End)	1	30000190	30000190	30000190	
6	– PISTON PIN	2	30000200	30000200	30000200	
7	– CIRCLIP	4	30000211	30000211	30000211	
8-9	PISTON RING KIT	2	30540000	30540000	30540000	
8	– PISTON RING #1	1	30000220	30000220	30000220	RINGS FOR ONLY
9	– PISTON RING #2	1	30000230	30000230	30000230	ONE PISTON, 2
10	NEEDLE BEARING	2	30000080	30000080	30000080	KITS REQUIRED
11	WASHER 14 Ø	1	45900014	45900014	45900014	PER ENGINE
12	SPRING WASHER 14 Ø	1	47900014	47900014	47900014	
13	NUT 14 Ø	1	11000470	11000470	11000470	
14	WOODRUFF KEY	1	38001440	38001440	38001440	
15	BALL BEARING	2	–	–	64936206	
16	OIL SEAL	1	–	–	45000080	

CANADIAN CURTISS-WRIGHT LIMITED

Two Cylinder Engines



SERIAL NUMBER
COMMENCING
30
40
50

CRANKCASE

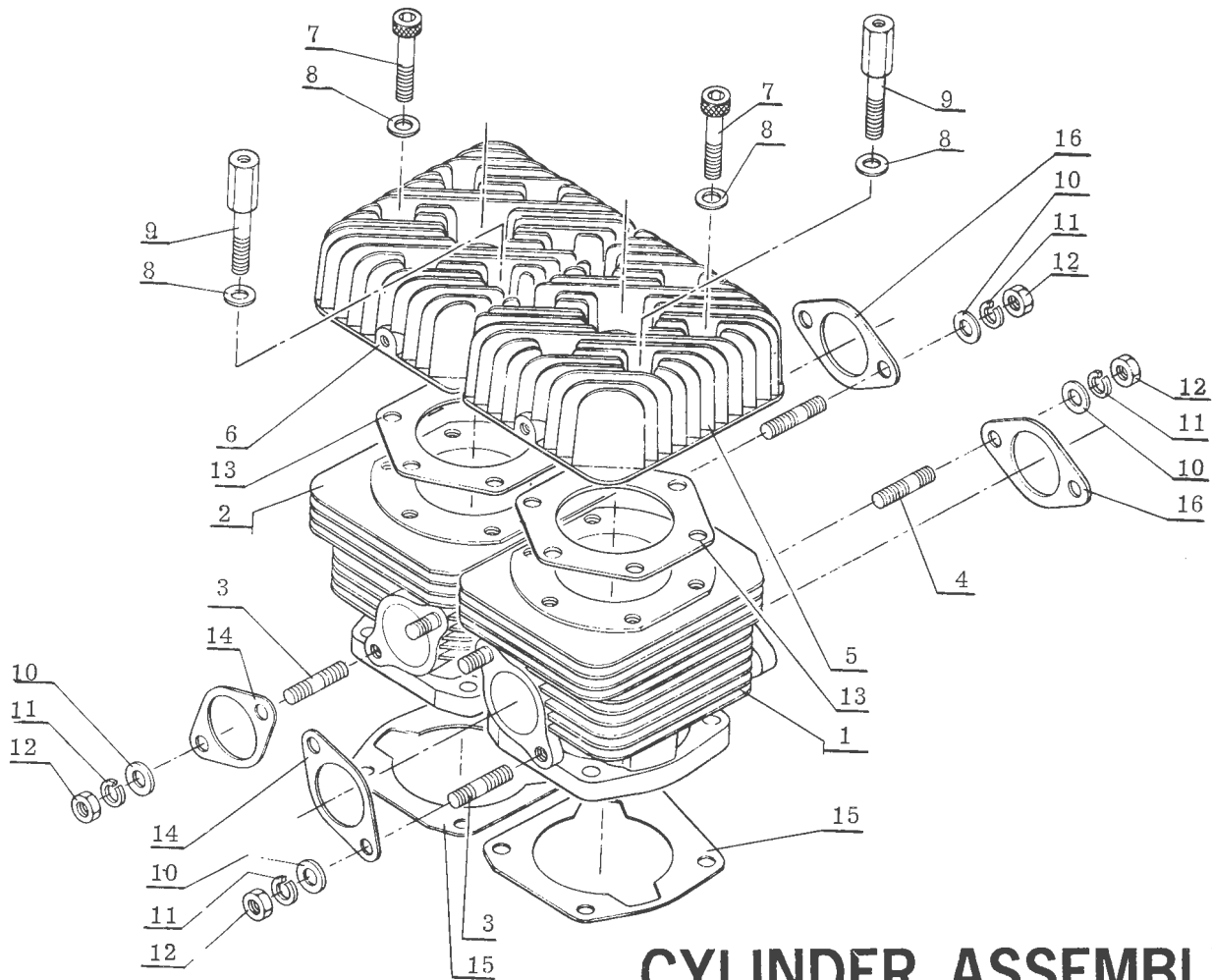
CCW 290 ALL MODELS

SERIAL NUMBER COMMENCING
3000000 4000000 5000000

KEY	DESCRIPTION	QTY.	PART NO.	PART NO.	PART NO.	REMARKS
1-2	CRANKCASE ASSY.	1	30800000	30800000	50800000	SUPPLIED ONLY AS A MATCHED SET PARTS 1-4
3	- DOWEL PINS	2	10000150	10000150	10000150	
4	- STUD BOLT	8	12000220	12000220	12000220	
5	CIRCLIP	4	18000140	18000140	18000140	
6	CONNECTOR (Hose)	1	18000170	18000170	18000170	
7	HOSE (Carb-Pump)	1	13001090	13001090	13001090	
8	DRAIN BOLT	2	13000340	13000340	13000340	
9	GASKET	2	13000330	13000330	13000330	
10	BOLT 8 x 45	6	30000140	30000140	30000140	
11	BOLT 8 x 65	5	30000150	30000150	30000150	
12	BOLT 8 x 40	1	10908040	10908040	50001380	
13	BOLT 8 x 30	3	10908030	10908030	50001390	
15	NUT 8 Ø	8	37900008	37900008	38001940	
16	SPRING WASHER 8 Ø	25	47900008	47900008	47900008	
17	WASHER (8 x 16 x 1.2T)	11	56900008	56900008	56900008	
18	WASHER 8 Ø	8	45900008	45900008	45900008	
20	PLATE	1	11000190	11000190	11000190	
21	STUD BOLT	2	11000070	11000070	11000070	MODEL E & G
	BOLT 8 x 20	2	10908020	10908020	18001330	MODEL S
22	SPRING WASHER 8 Ø	2	47900008	47900008	47900008	
23	NUT 8 Ø	2	37900008	37900008	38001940	MODEL E & G

CANADIAN CURTISS-WRIGHT LIMITED

Two Cylinder Engines



SERIAL NUMBER
COMMENCING
30
40
50

CYLINDER ASSEMBLY

CCW 290 ALL MODELS

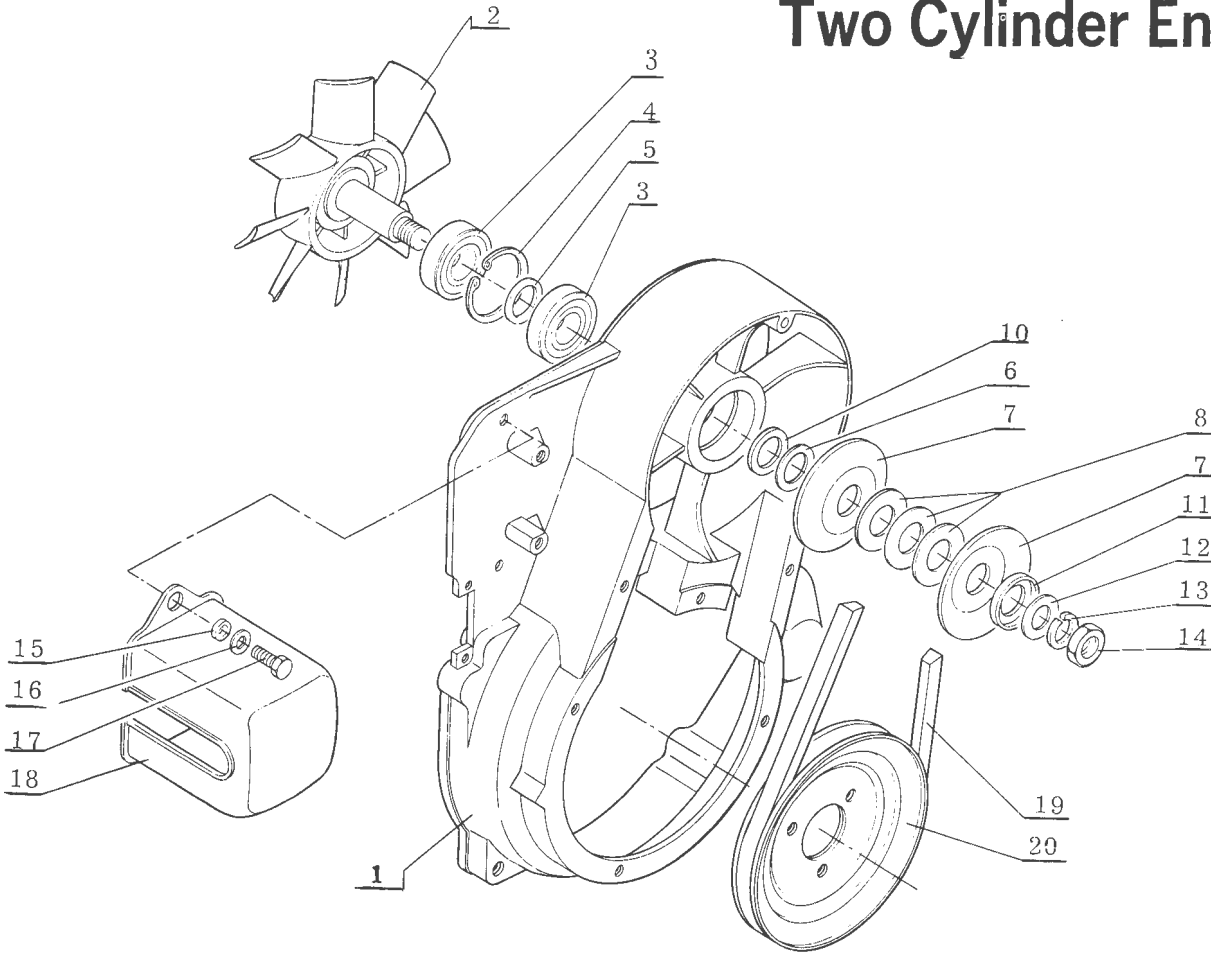
SERIAL NUMBER COMMENCING
3000000 4000000 5000000

KEY	DESCRIPTION	QTY.	PART NO.	PART NO.	PART NO.	REMARKS
1,3,4	CYLINDER ASSY. (Fan End)	1	30560000	40560000	40560000	
2-4	CYLINDER ASSY. (P.T.O. End)	1	30580000	40580000	40580000	
3	— STUD BOLT (Intake)	4	30000370	30000370	30000370	
4	— STUD BOLT (Exhaust)	4	11000330	11000330	11000330	
5	CYLINDER HEAD (Fan End)	1	30000350	40000350	50000350	
6	CYLINDER HEAD (P.T.O. End)	1	30000340	40000340	50000340	
7	BOLT	10	30000310	30000310	30000310	
8	WASHER	12	30000360	30000360	30000360	
9	BOLT	2	30000320	30000320	30000320	
10	WASHER (8 x 16 x 1.2T)	8	45900008	45900008	56900008	
11	SPRING WASHER 8 Ø	8	47900008	47900008	47900008	
12	NUT 8 Ø	8	37900008	37900008	38001940	
	GASKET KIT	2	30550000*	30550000*	30550001*	
	DRAIN BOLT GASKET	2	13000330	13000330	13000330	
13	CYLINDER HEAD GASKET	2	30000330	30000330	30000330	
14	INTAKE FLANGE GASKET	2	30000420	30000420	30000421	
15	CYLINDER BASE GASKET	2	30000250	30000250	30000251	
16	EXHAUST GLANGE GASKET	2	30000380	30000380	30000380	

NOTE * 2 GASKET
KITS ARE REQUIRED
TO REPLACE ALL
GASKETS. EACH KIT
WILL GASKET ONLY
ONE CYLINDER.

CANADIAN CURTISS-WRIGHT LIMITED

Two Cylinder Engines



SERIAL NUMBER
COMMENCING
30
40
50

FAN COVER ASSEMBLY

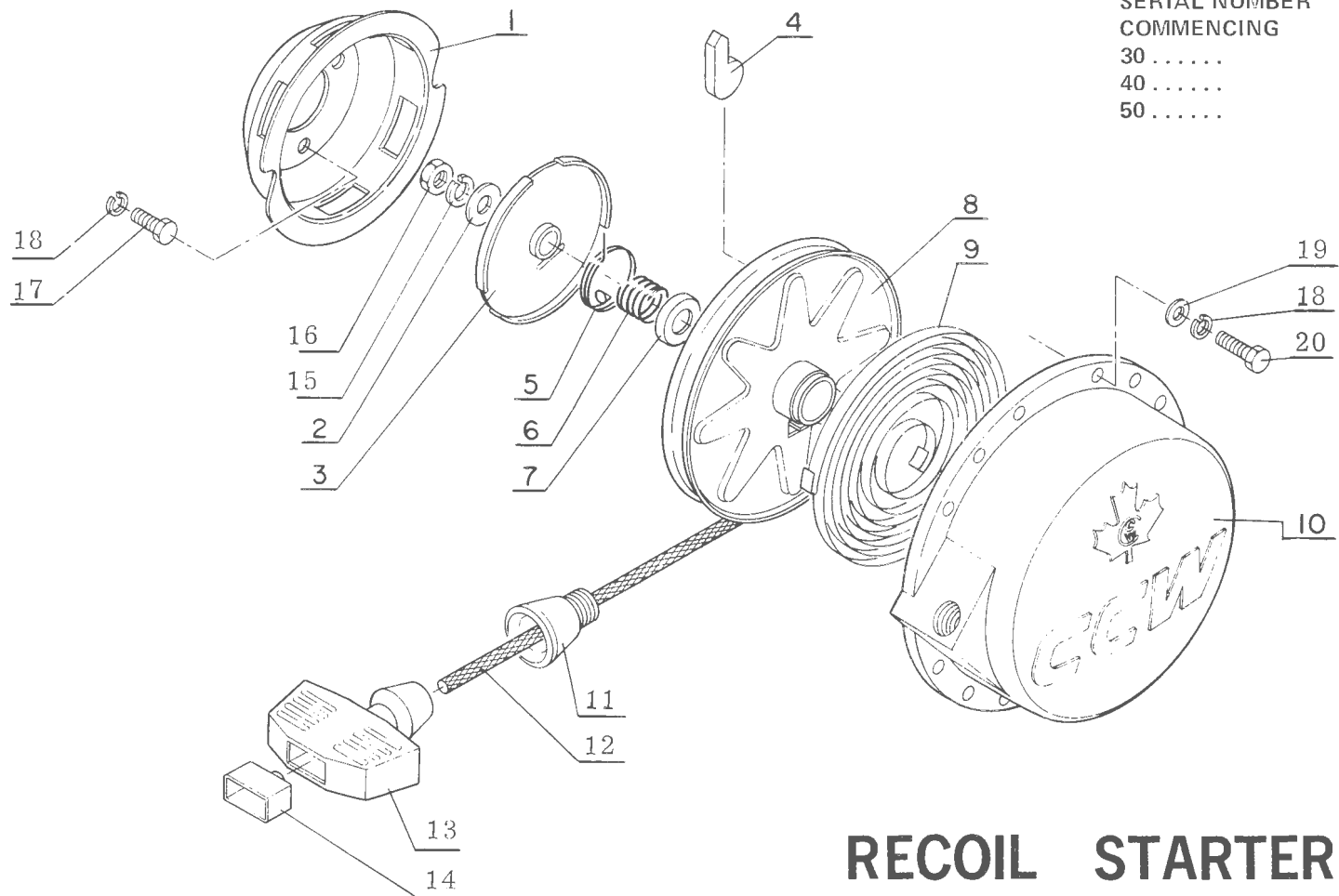
CCW 290 ALL MODELS

SERIAL NUMBER COMMENCING
3000000 4000000 5000000

KEY	DESCRIPTION	QTY.	PART NO.	PART NO.	PART NO.	REMARKS
1	FAN COVER	1	30060000	30060000	50060001	
2	FAN	1	30140000	30140000	30140000	
3	BALL BEARING	2	66906203	66906203	35001060	
4	CIRCLIP	1	50900040	50900040	50900040	
5	WASHER	1	18000950	18000950	18000950	
6	WASHER (Thick)	1	18000960	18000960	18000960	
7	PULLEY	2	18000890	35000980	18000890	
8	SPACER (Thick)	2	18000900	—	18000900*	*1. REQUIRED
8	SPACER (Thin)	1	18000910	—	18000910*	*2. REQUIRED
8	SPACER	3	—	35001000	—	
10	WASHER (Thin)	1	—	35001040	—	
11	SPACER (Outside)	1	18000990	18000990	18000990	
12	WASHER 12 Ø	1	45900012	45900012	45900012	
13	SPRING WASHER 12 Ø	1	47900012	47900012	47900012	
14	NUT	1	18000970	18000970	18000970	
15	COIL COVER WASHER	2	18001120	18001121	18001121	
16	WASHER 6 Ø	2	45900006	45900006	45900006	
17	BOLT 6 x 12	2	10906012	10906012	10906012	
18	COIL COVER	1	18001082	18001083	18001083	
19	"V" BELT	1	52900024	40001090	52900024	
20	PULLEY	1	18000870	35000970	18000870	

CANADIAN CURTISS-WRIGHT LIMITED

Two Cylinder Engines



SERIAL NUMBER
COMMENCING
30
40
50

RECOIL STARTER

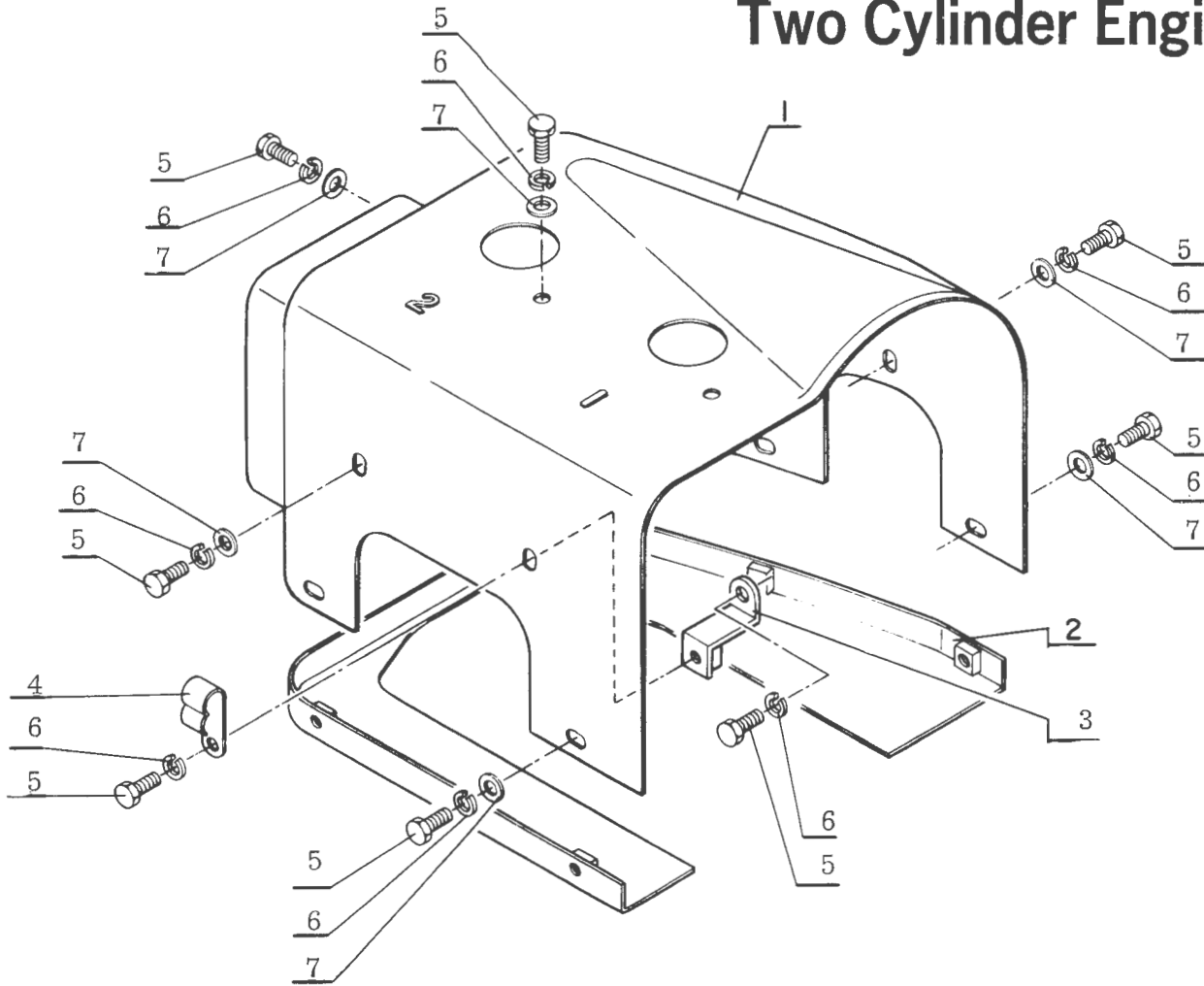
CCW 290 ALL MODELS

SERIAL NUMBER COMMENCING
3000000 4000000 5000000

KEY	DESCRIPTION	QTY.	PART NO.	PART NO.	PART NO.	REMARKS
1	STARTER PULLEY	1	18000880	18000880	18000880	
2-16	RECOIL STARTER ASSY.	1	18100001	18100001	18100002	
2	- WASHER	1	10000821	10000821	10000821	
3	- FRICTION PLATE	1	10000830	10000830	10000830	
4	- PAWL	3	10000840	10000840	10000840	
5	- RETURN SPRING	1	10000890	10000890	10000890	
6	- SPRING	1	10000900	10000900	10000900	
7	- WASHER	1	10000910	10000910	10000910	
8	- REEL	1	12001030	12001030	12001030	
9	- MAIN SPRING	1	12001040	12001040	12001040	
10	- CASE	1	18110001	18110001	18110001	
11	- ROPE GUIDE	1	12001071	12001071	12001071	
12	- ROPE	1	12001080	12001080	18001200	
13	- HANDLE	1	10000930	10000930	10000930	
14	- END PIECE	1	10000940	10000940	10000940	
15	- SPRING WASHER 8 Ø	1	47900008	47900008	47900008	
16	- NUT (3N-8 Ø)	1	39900008	39900008	39900008	
17	BOLT	3	10906015	10906015	10906016	
18	SPRING WASHER 6 Ø	7	47900006	47900006	47900006	
19	WASHER 6 Ø	4	45900006	45900006	45900006	
20	BOLT	4	10906022	10906022	10906020	

CANADIAN CURTISS-WRIGHT LIMITED

Two Cylinder Engines



SERIAL NUMBER
COMMENCING
30
40
50

CYLINDER COVER

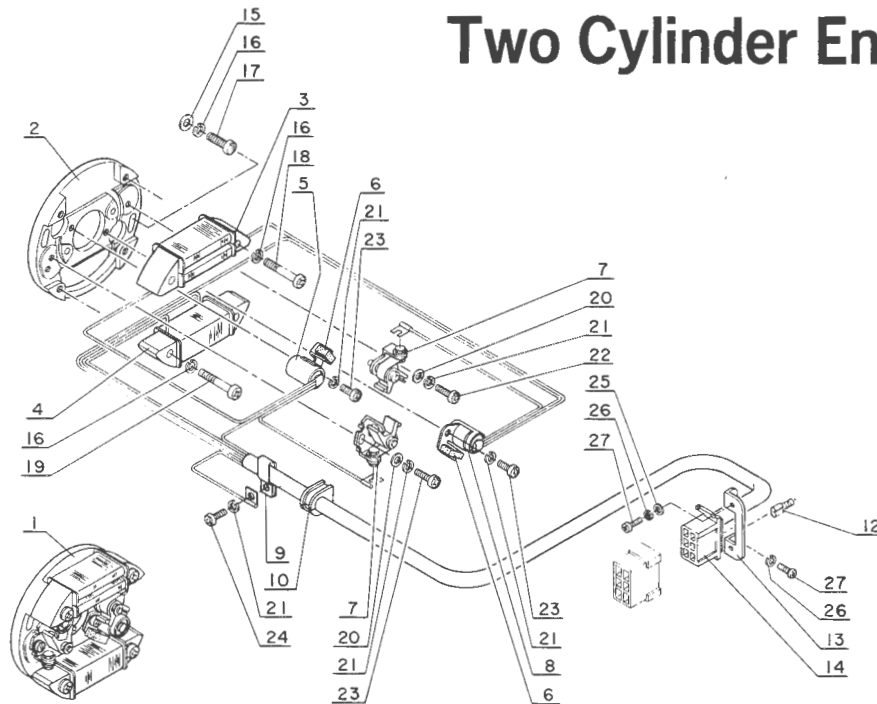
CCW 290 ALL MODELS

SERIAL NUMBER COMMENCING
3000000 4000000 5000000

KEY	DESCRIPTION	QTY.	PART NO.	PART NO.	PART NO.	REMARKS
1	CYLINDER COVER	1	30001180	50001180	50001180	
2	CYLINDER COVER ADAPTOR	1	30080000	40080000	40080000	
3	CLAMP (Cyl. Adaptor)	2	18070000	18070000	18070000	
4	CLAMP	1	18000760	18000760	18000760	
5	BOLT	12	10906010	10906010	10906012	
6	SPRING WASHER 6 Ø	12	47900006	47900006	47900006	
7	WASHER 6 Ø	9	45900006	45900006	45900006	

CANADIAN CURTISS-WRIGHT LIMITED

Two Cylinder Engines



SERIAL NUMBER
COMMENCING
30
40
50

COIL PLATE ASSY.

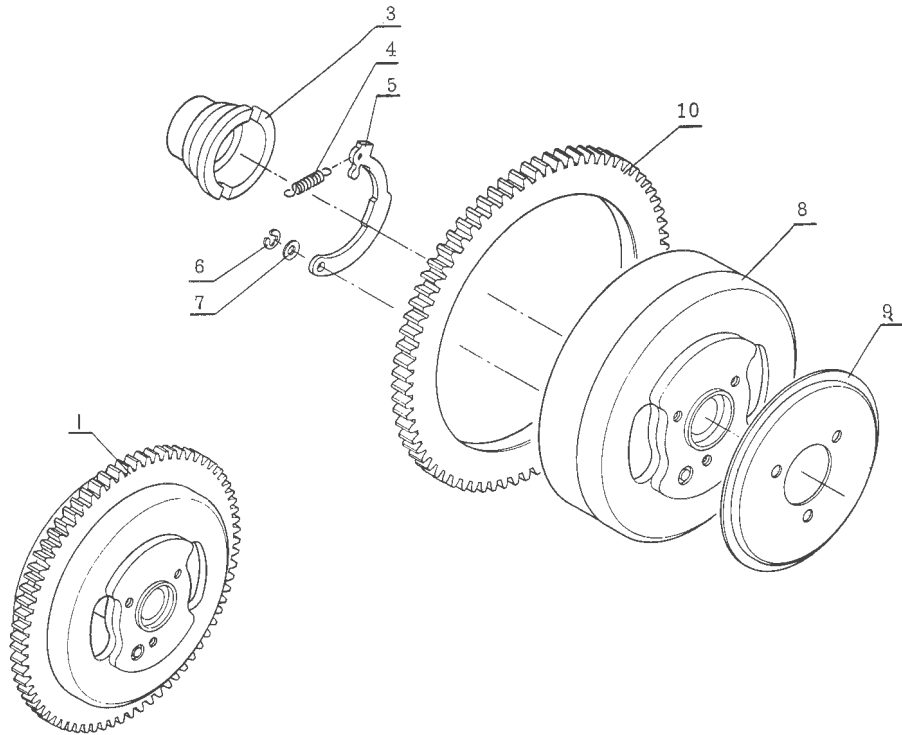
CCW 290 ALL MODELS

SERIAL NUMBER COMMENCING
300000 400000 500000

KEY	DESCRIPTION	QTY.	PART NO.	PART NO.	PART NO.	REMARKS
1	MAGNETO ASSY. (With Ring Gear)	1	30600000	30600000	50600000	
	MAGNETO ASSY. (Without Ring Gear)	1	30050000	30050000	36050000	
	– FLYWHEEL ASSY. (With Ring Gear)	1	30590000	30590000	50590000	
	– FLYWHEEL ASSY. (Without Ring Gear)	1	25520000	25520000	36520000	
	COIL PLATE ASSY.	1	30510000	30510000	36510000	
2	– COIL PLATE	1	30000550	30000550	36001300	
3	– IGNITION GENERATING COIL	1	25000410	25000410	25000410	
4	– LIGHTING COIL	1	25000420	25000420	36001380	
5	– CONDENSER (NO. 1)	1	25000430	25000430	36001320	
6	– OIL FELT	2	25000440	25000440	25000440	
7	– POINT SET	2	25000450	25000450	25000450	
8	– CONDENSER (NO. 2)	1	25000460	25000460	36001330	
9	– CLAMP	1	25000470	25000470	36001340	
10	– GROMMET	1	19000550	19000550	19000550	
12	SPADE CONNECTOR (Female)	5	18000811	18000811	18000811	
	SPADE CONNECTOR (Male)	5	18000821	18000821	18000821	
13	BRACKET	1	18000771	18000771	18000771	
14	– COUPLER	1	18000571	18000571	18000571	
15	– WASHER 5 Ø	2	45900005	45900005	45900005	
16	– SPRING WASHER 5 Ø	6	47900005	47900005	47900005	
17	– SCREW	2	12905018	12905018	12905016	
18	– SCREW 5 x 32	2	18905032	18905032	18905032	
19	– SCREW 5 x 30	2	18905030	18905030	18905030	
20	– WASHER 4 Ø	4	45900004	45900004	45900004	
21	– SPRING WASHER 4 Ø	5	47900004	47900004	47900004	
22	– SCREW 4 x 10	2	18904010	18904010	18904010	
23	– SCREW 4 x 8	2	18904008	18904008	18904008	
24	– SCREW 4 x 7	1	18904007	18904007	18904007	
25	– WASHER 3 Ø	2	45900003	45900003	45900003	
26	– SPRING WASHER 3 Ø	2	47900003	47900003	47900003	
27	– SCREW 3 x 10	4	18903010	18903010	12903010	

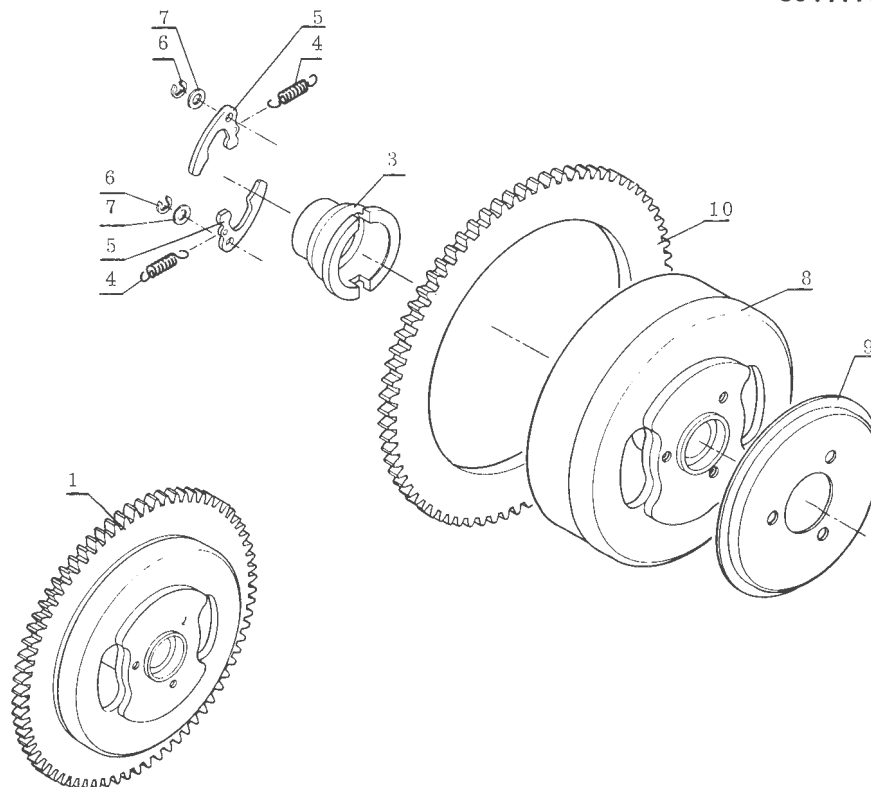
CANADIAN CURTISS-WRIGHT LIMITED

Two Cylinder Engines



SERIAL NUMBER
COMMENCING
30
40

FLYWHEEL



SERIAL NUMBER
COMMENCING
50

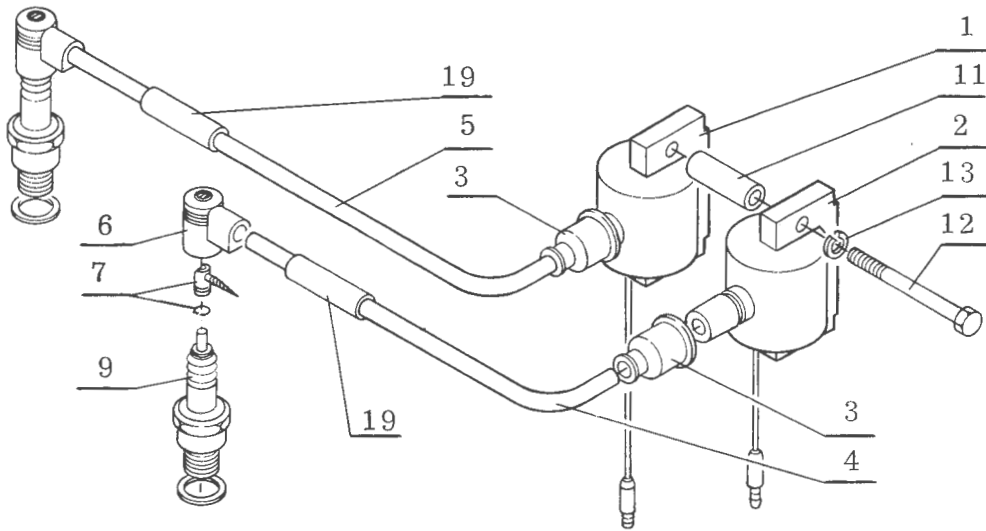
CCW 290 ALL MODELS

SERIAL NUMBER COMMENCING
 3000000 4000000 5000000

KEY	DESCRIPTION	QTY.	PART NO.	PART NO.	PART NO.	REMARKS
1	FLYWHEEL ASSY. (With Ring Gear)	1	30590000	30590000	50590000	
	FLYWHEEL ASSY. (Without Ring Gear)	1	25520000	25520000	36520000	
3	- CAM	1	25000540	25000540	36001350	
4	- GOVERNOR SPRING	1-2	25000550	25000550	36001360*	*2-REQUIRED
5	- GOVERNOR WEIGHTS	1-2	25000560	25000560	36001370*	*2-REQUIRED
6	- "E" RING	1-2	25000570	25000570	25000570*	*2-REQUIRED
7	- WASHER	1-2	25000580	25000580	25000580*	*2-REQUIRED
8	- FLYWHEEL	1	N.P.	N.P.	N.P.	NOT PROCURABLE
9	- WINDOW PLATE	1	25000600	25000600	25000600	
10	RING GEAR	1	30000600	30000600	50000600	

CANADIAN CURTISS-WRIGHT LIMITED

Two Cylinder Engines



SERIAL NUMBER
COMMENCING
30
40
50

IGNITION CABLES & HIGH TENSION COILS

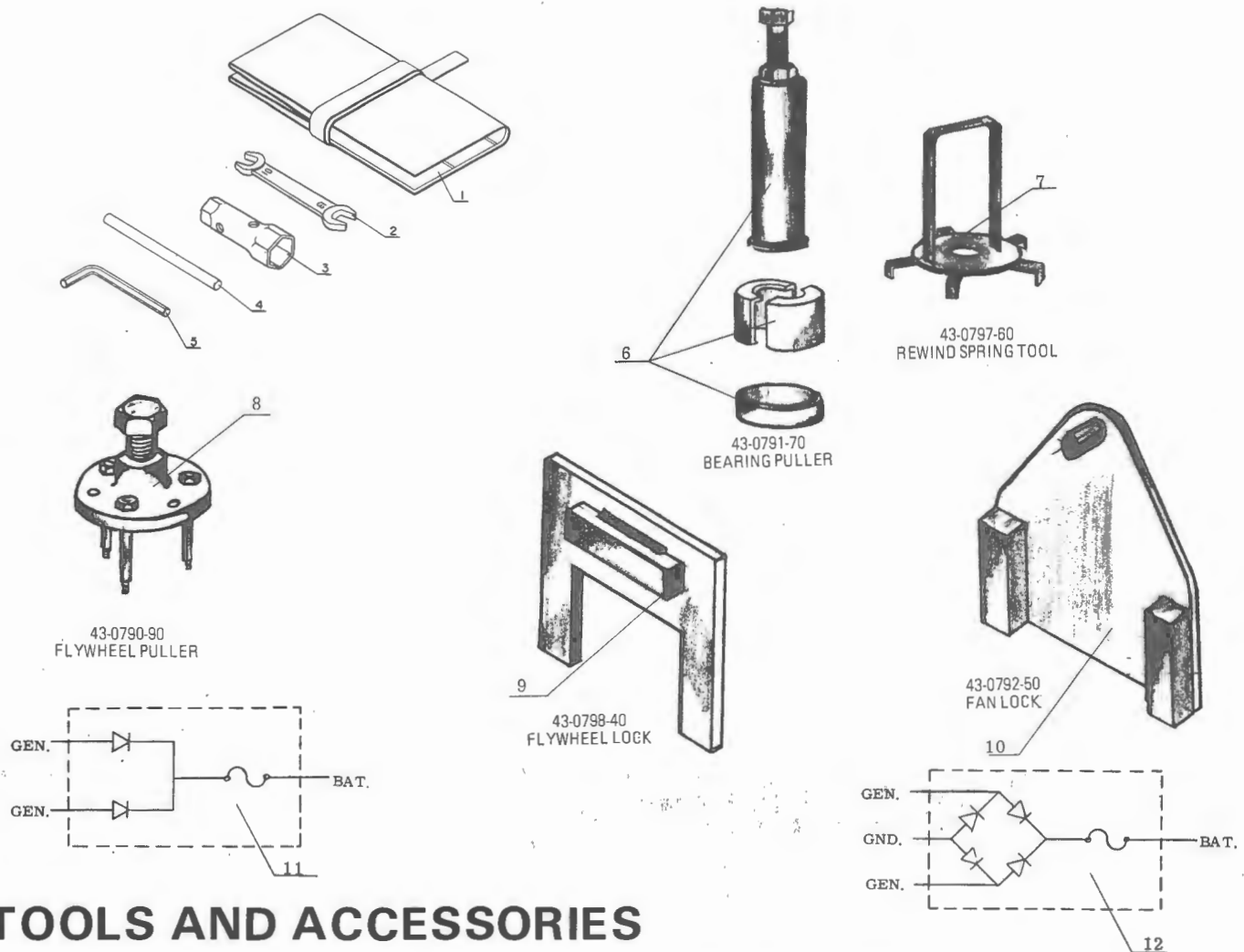
SERIAL NUMBER COMMENCING
3000000 4000000 5000000

KEY	DESCRIPTION	QTY.	PART NO.	PART NO.	PART NO.	REMARKS
1	IGNITION COIL (Cyl. Near Fan)	1	25000520	25000520	25000520	
2	IGNITION COIL (Cyl. Near P.T.O.)	1	25000530	25000530	25000530	
3	RUBBER BUSHING	2	25000510	25000510	25000510	
4	H.T. IGN. WIRE (Cyl. Near Fan)	1	25000490	25000490	25000490	
5	H.T. IGN. WIRE (Cyl. Near P.T.O.)	1	25000500	25000500	25000500	
6	SPARK PLUG CONNECTOR	2	11000431	11000431	11000431	
7	SPARK PLUG CONNECTOR TERMINAL	2	11000422	11000422	11000422	
9	SPARK PLUG	2	18000780	38000780	38000780	
11	COIL SPACER	2	18001090	18001090	18001090	
12	BOLT 6 x 65	2	18001350	18001350	18001350	
13	SPRING WASHER 6 Ø	2	47900006	47900006	47900006	
19	PROTECTOR COUPLER	2 1	18000750 18000581*	18000750 18000581*	18000750 18000581*	

6 POLE COUPL

CANADIAN CURTISS-WRIGHT LIMITED

Two Cylinder Engines



TOOLS AND ACCESSORIES

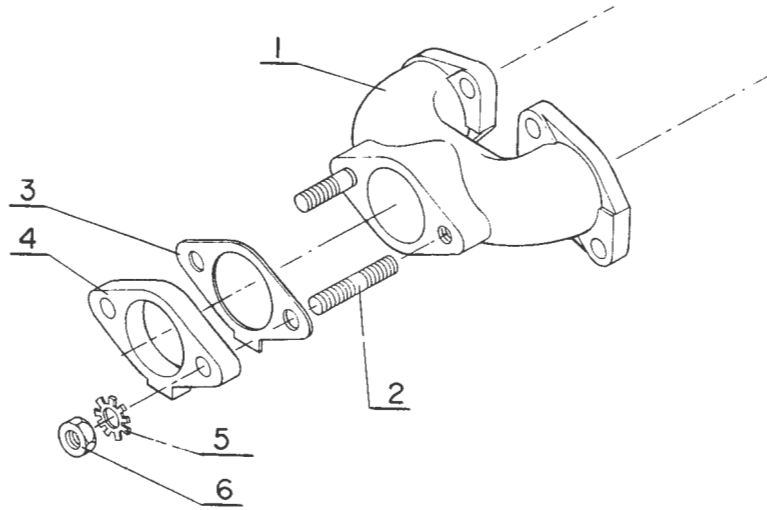
CCW 290 ALL MODELS

SERIAL NUMBER COMMENCING
3000000 4000000 5000000

KEY	DESCRIPTION	QTY.	PART NO.	PART NO.	PART NO.	REMARKS
1-5	TOOL KIT	1	30610000	30610000	30610000	AVAILABLE ONLY IN TOOL KIT
1	- BAG	1	-	-	-	
2	- SPANNER 10 X 13 MM.	1	-	-	-	
3	- TUBE SPANNER 13 X 21 MM.	1	-	-	-	
4	- HANDLE ROD	1	-	-	-	
5	- "L" WRENCH	1	-	-	-	
6	BEARING PULLER	1	43079170	43079170	43079170	
7	SPRING REWIND TOOL	1	43079760	43079760	43079760	
8	FLYWHEEL PULLER	1	43079090	43079090	43079090	
9	FLYWHEEL LOCK	1	43079840	43079840	43079840	
10	FAN LOCK	1	43079250	43079250	43079250	FOR 75 W.T. CENTRE TAP LIGHTING COIL FOR 120 W.T. END TAP LIGHTING COIL FOR USE WITH 35 W.T. HEADLAMP ON 75 W.T. LIGHTING COIL
11	RECTIFIER	1	43071510	43071510	-	
12	RECTIFIER	1	-	-	43071270	
	RESISTOR 7 Ω	1	43071940	43071940	-	
	SERVICE MANUAL	1	43070620	43070620	43070620	

CANADIAN CURTISS-WRIGHT LIMITED

Two Cylinder Engines



SERIAL NUMBER
COMMENCING
30
40
50

INTAKE MANIFOLD

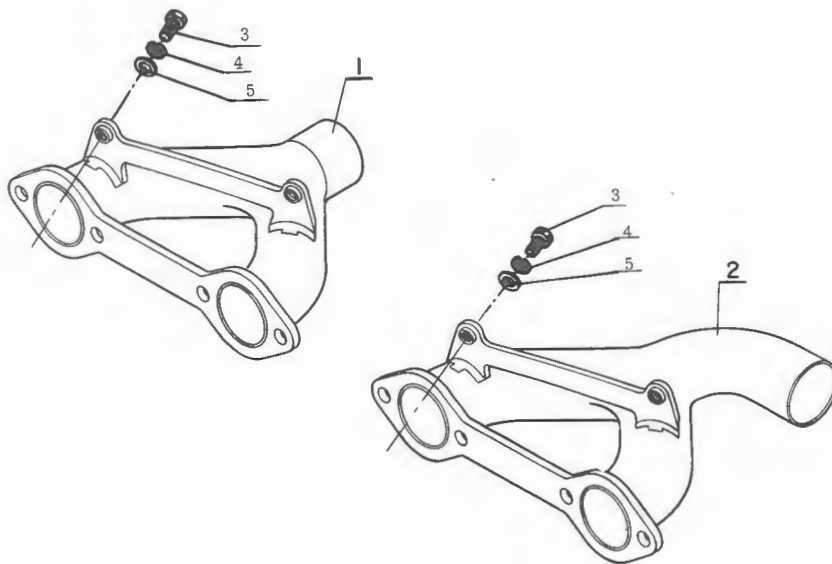
CCW 290 ALL MODELS

SERIAL NUMBER COMMENCING
3000000 4000000 5000000

KEY	DESCRIPTION	QTY.	PART NO.	PART NO.	PART NO.	REMARKS
1	INTAKE MANIFOLD	1	30000390	30000390	30000390	
2	STUD BOLT	2	30000430	30000430	30000430	
3	GASKET	1	18000410	18000410	18000411	
4	INSULATOR	1	18000420	18000420	18000420	
5	WASHER (T.W.B.8)	2	12001550	12001550	12001550	
6	NUT 3N-8 Ø	2	39900008	39900008	38001910	

CANADIAN CURTISS-WRIGHT LIMITED

Two Cylinder Engines



SERIAL NUMBER
COMMENCING
30
40
50

EXHAUST MANIFOLD

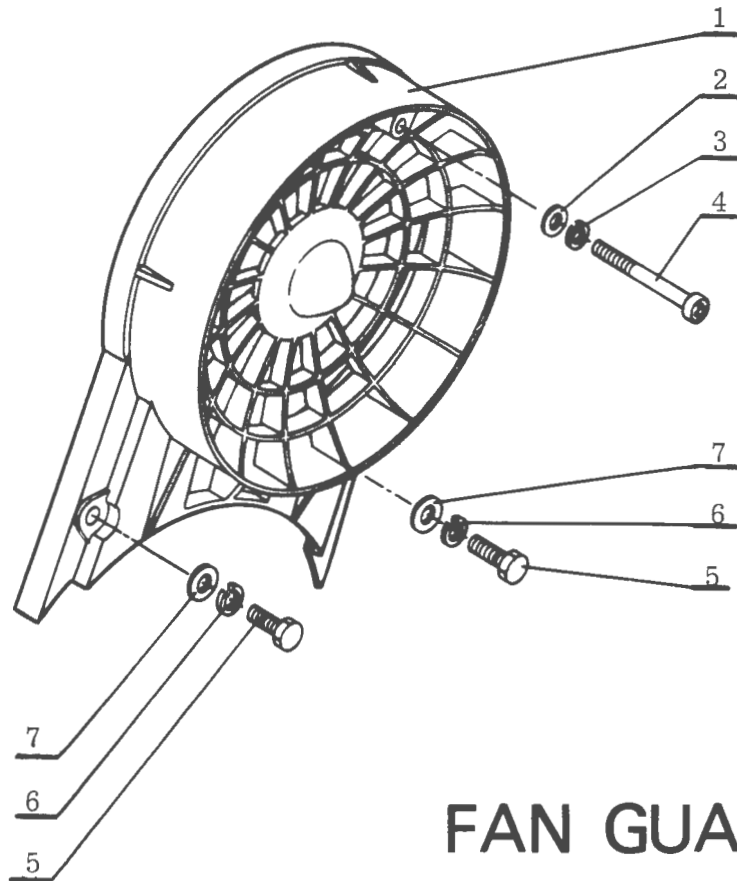
CCW 290 ALL MODELS

SERIAL NUMBER COMMENCING
3000000 4000000 5000000

KEY	DESCRIPTION	QTY.	PART NO.	PART NO.	PART NO.	REMARKS
1	EXHAUST MANIFOLD	1	30000440	40000440	40000440	
2	EXHAUST MANIFOLD	1	30000450	40000450	-	
3	BOLT 6 x 12	2	10906010	10906010	10906012	
4	SPRING WASHER 6 Ø	2	47900006	47900006	47900006	
5	WASHER 6 Ø	2	45900006	45900006	45900006	

CANADIAN CURTISS-WRIGHT LIMITED

Two Cylinder Engines



SERIAL NUMBER
COMMENCING
30.....
40.....
50.....

FAN GUARD

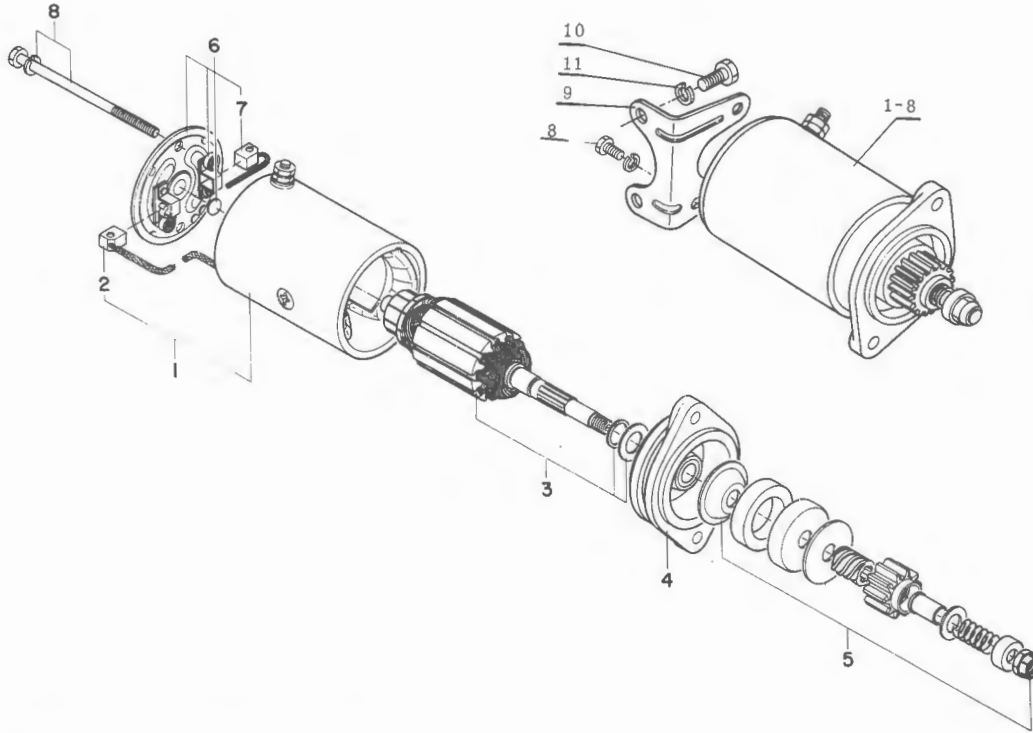
CCW 290 ALL MODELS

SERIAL NUMBER COMMENCING
3000000 4000000 5000000

KEY	DESCRIPTION	QTY.	PART NO.	PART NO.	PART NO.	REMARKS
1	FAN GUARD	1	30001080	30001080	30001080	
2	WASHER 5 Ø	1	45900005	45900005	45900005	
3	SPRING WASHER 5 Ø	1	47900005	47900005	47900005	
4	SCREW 5 x 45	1	12905045	12905045	12905045	
5	BOLT 6 x 15	2	10906015	10906015	10906015	
6	SPRING WASHER 6 Ø	2	47900006	47900006	47900006	
7	WASHER 6 Ø	2	45900006	45900006	45900006	

CANADIAN CURTISS-WRIGHT LIMITED

Two Cylinder Engines



SERIAL NUMBER
COMMENCING
30
40
50

ELECTRIC STARTER MOTOR

CCW 290 ALL MODELS

SERIAL NUMBER COMMENCING
3000000 4000000 5000000

KEY	DESCRIPTION	QTY.	PART NO.	PART NO.	PART NO.	REMARKS
1-8	STARTER MOTOR ASSY.	1	30150000	30150000	30150000	
1	- YOKE ASSY.	1	30760000	30760000	30760000	
2	- BRUSH (+)	1	30002800	30002800	30002800	
3	- ARMATURE COMPLETE	1	30840000	30840000	30840000	
4	- BRACKET ASSY. (Front)	1	30750000	30750000	30750000	
5	- INERTIA CLUTCH ASSY.	1	30850000	30850000	30850000	
6	- BRACKET ASSY. (Rear)	1	30780000	30780000	30780000	
7	- BRUSH (-)	1	30002810	30002810	30002810	
8	- BOLT	2	30002820	30002820	30002820	
9	SUPPORT BRACKET	1	30001220	30001220	30210000	
10	BOLT 8 x 20	2	10908020	10908020	18001330	
11	SPRING WASHER 8 Ø	2	47900008	47900008	47900008	

