



MANUFACTURED
BY FUJI MOTORS CORPORATION
MADE IN JAPAN



SNOWMOBILE G25A ENGINE PARTS LIST

SPECIFICATIONS

MODEL	G25A	
TYPE	SINGLE (1) CYLINDER, AIR-COOLED, TWO (2)-STROKE ENGINE	
DISPLACEMENT (cc)	242	
CYLINDER BORE (mm)	72	
STROKE (mm)	59.5	
COMPRESSION RATIO	11.8 : 1	
STARTING SYSTEM	RECOIL STARTER	
MAGNETO	FLYWHEEL MAGNETO (POINT)	
BREAKER POINT GAP	0.3~0.4mm (0.012"~0.016")	
IGNITION TIMING	RETARDED	6° BTDC
	ADVANCED	21° BTDC
LIGHTING COIL	12V/120W	
CYLINDER	ALUMINIUM WITH CAST IROW SLEEVE	
CARBURETOR	MIKUNI BN38	
LUBRICATING METHOD	MIXED OIL 15~20 (GASOLINE):1 (OIL)	
ROTATING DIRECTION	ANTI-CLOCKWISE VIEWED FROM OUTPUT SHAFT SIDE	

Remark: The above specifications subject to changes without notice.

CONTENTS

	PAGE
CYLINDER	2
IGNITION SYSTEM	6
RECOIL STARTER	8
CARBURETOR	10
TOOL KIT	13

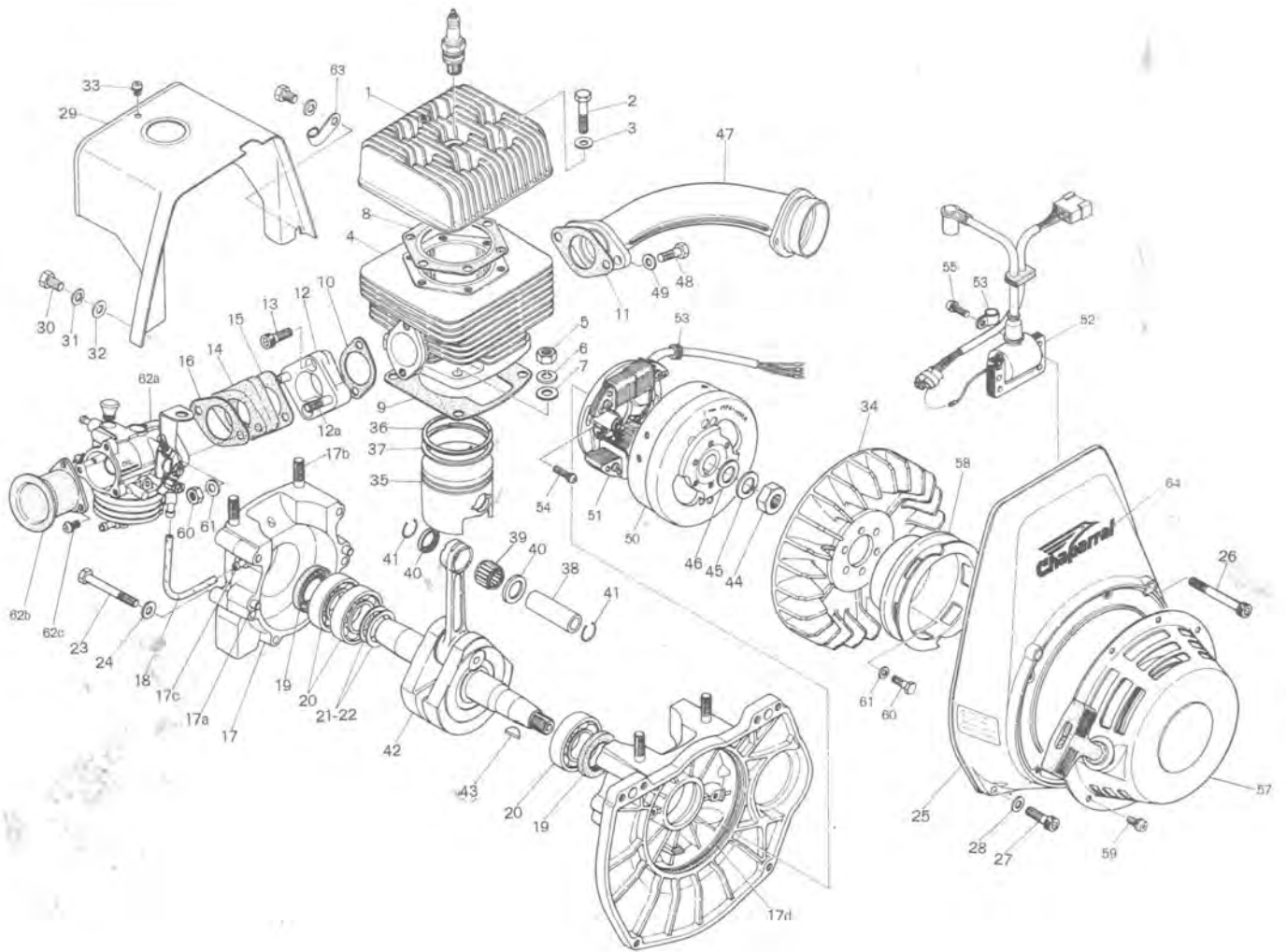


FIG. NO.	DESCRIPTION	PARTS NO.		Q'TY	REMARKS
		CHAPARRAL NO.	FUJI NO.		
1	CYLINDER HEAD	79000	2575-11110	1	
2	BOLT	79001	0212-50840	6	
3	WASHER	78004	01641-20812	6	
4	CYLINDER	79002	2575-12110	1	
5	NUT cylinder	78440	2576-12210	4	
6	SPRING WASHER	78011	0290-21025	4	
7	WASHER	78012	01641-21016	4	
8	GASKET cylinder head	79003	2575-15010	1	
9	GASKET cylinder base	79004	2575-15020	1	
10	GASKET inlet block	79005	2575-15030	1	
11	GASKET exhaust	78019	2585-15040	1	
12	INLET BLOCK comp.	79006	2575-15100	1	
12a	STUD	78162	0250-20840	(2)	
13	BOLT	79007	01252-30825	2	
14	INSURATOR	79008	2575-15210	1	
15	GASKET insurator	79009	2575-15220	1	
16	GASKET carburetor	79010	2575-15230	1	
17	CRANK CASE comp	79011	2575-21100	1	
17a	DOWEL PIN	78028	04020-00820	(2)	
17b	STUD cylinder	78029	0250-51030	(4)	
17c	NIPPLE	78463	2576-21140	(1)	
17d	FELT RING	78209	2583-22120	(1)	
18	PULSE PIPE	78923	2576-21420	1	
19	OIL SEAL	78043	2587-21620	2	
20	BALL BEARING	78082	06030-06206	3	
21	SHIM crankshaft	79012	2575-23110	0~2	
22	SHIM crankshaft	79013	2575-23120	0~1	
23	BOLT	79014	0212-20870	6	
24	WASHER	78004	01641-20812	6	
25	FAN COVER	79015	2575-31110	1	
26	BOLT	79016	01252-30870	2	
27	BOLT	79017	01252-30830	2	
28	WASHER	78004	01641-20812	2	
29	CYLINDER COVER	79018	2575-32110	1	

FIG. NO.	DESCRIPTION	PARTS NO.		Q'TY	REMARKS
		CHAPARRAL NO.	FUJI NO.		
30	BOLT	79019	0225-30816	2	
31	SPRING WASHER	78003	0290-20820	2	
32	WASHER	79910	01642-20812	1	
33	SCREW	79020	0260-30612	1	
34	COOLING FAN	79021	2575-75110	1	
35	PISTON (STD)	79022	2575-41110	1	
	PISTON (0.5mm)	79023	2575-08010	1	1st OVER size
	PISTON (1mm)	79024	2575-08020	1	2nd OVER size
36	PISTON RING TOP (STD)	79025	2575-41211	1	
	PISTON RING TOP (0.5mm)	79026	2575-08030	1	1st OVER size
	PISTON RING TOP (1mm)	79027	2575-08040	1	2nd OVER size
37	PISTON RING BOTTOM (STD)	79028	2575-41220	1	
	PISTON RING BOTTOM (0.5mm)	79029	2575-08050	1	1st OVER size
	PISTON RING BOTTOM (1mm)	79030	2575-08060	1	2nd OVER size
38	PISTON PIN	79031	2575-41310	1	
39	NEEDLE BEARING piston pin	79032	2575-43110	1	
40	THRUST WASHER	78624	2576-43120	2	
41	SNAP RING piston pin	78625	2576-41320	2	
42	CRANK SHAFT comp	79033	2575-42000	1	
43	KEY magneto	78087	04010-00519	1	
44	NUT	78088	01583-11610	1	
45	SPRING WASHER	78089	0290-21640	1	
46	WASHER	78090	01641-21626	1	
47	EXHAUST ELBOW	79911	2575-95110	1	
48	BOLT	79084	0212-50825	2	
49	WASHER	78004	01641-20812	2	
	IGNITION SYSTEM	79034	2575-72000	1set	
50	FLYWEEL Ass'y	79035	2575-72100	1	
51	COIL PLATE Ass'y	79036	2575-72300	1	
52	IGNITION COIL Ass'y	79037	2575-72600	1	
	IGNITION CORD W/T PLUG CAP	79038	2575-72620	(1)	
53	GROMMET	79912	2575-73110	1	
54	SCREW	78933	0260-30520	2	

FIG. NO.	DESCRIPTION	PARTS NO.		Q'TY	REMARKS
		CHAPARRAL NO.	FUJI NO.		
55	SCREW	78121	0260-30620	2	
56	CLUMP	79913	1520-71120	1	
57	RECOIL STARTER Ass'y	79067	2575-78000	1	
58	STARTER PULLEY	79082	2575-78410	1	
59	SCREW	79083	0260-30616	5	
60	BOLT	78682	0212-50620	6	
61	SPRING WASHER	78124	0290-20615	6	
62a	CARBURETOR	79914	2575-81100	(1)	
62b	AIR FUNNEL	79915	2575-82110	(1)	
62c	SCREW	79916	2575-82120	(3)	
63	CLUMP		2575-31120	1	
64	LABEL	79081	2575-78270	1	

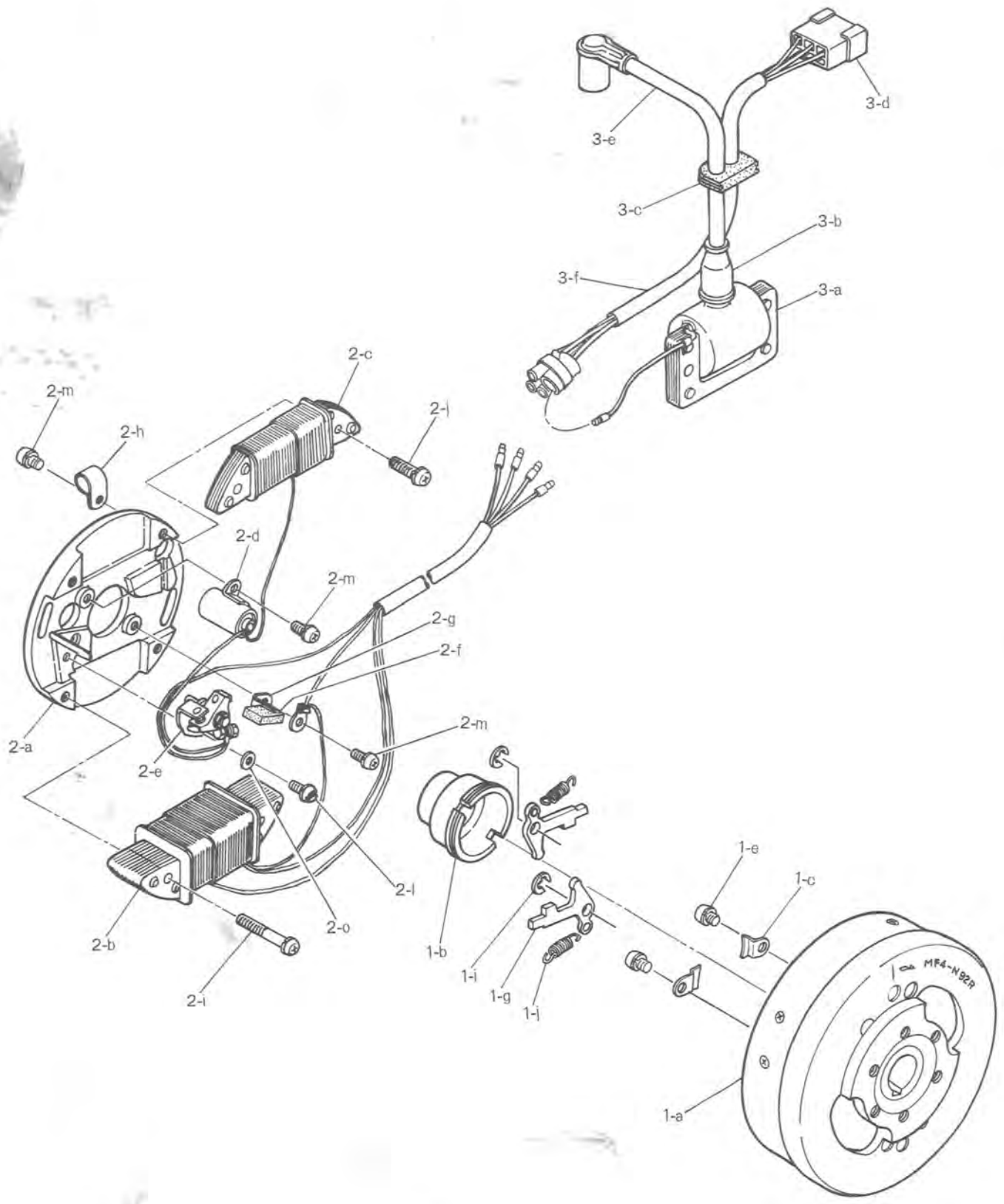


FIG. NO.	DESCRIPTION	PARTS NO.		Q'TY	REMARKS
		CHAPARRAL NO.	FUJI NO.		
	(FLYWHEEL, Ass'y)				
1-a	FLYWHEEL	79039	2575-72110	1	
1-b	CAM	79040	2575-72120	1	
1-c	CAM STOPPER	79041	2575-72130	2	
1-e	SCREW	79043	2575-72150	2	
1-g	GOVERNOR WEIGHT	79045	2575-72170	2	
1-i	SNAPRING	79046	2575-72180	2	
1-j	GOVERNOR SPRING	79047	2575-79190	2	
	(COIL PLATE, Ass'y)				
2-a	COIL PLATE	79048	2575-72310	1	
2-b	LIGHTING COIL	79049	2575-72320	1	
2-c	EXCITING COIL	29050	2575-72330	1	
2-d	CONDENSER	79051	2575-72370	1	
2-e	CONTACT BREAKER	79052	2575-72380	1	
2-f	OIL FELT	79053	2575-72390	1	
2-g	HOLDER oil felt	79054	2575-72410	1	
2-h	CLAMP	79055	2575-72420	1	
2-i	SCREW lighting coil	79056	2575-72430	2	
2-j	SCREW exciting coil	79057	2575-72440	2	
2-l	SCREW contact breaker	79059	2575-72460	2	
2-m	SCREW	79060	2575-72470	4	
2-o	WASHER	79062	2575-72480	2	
	(IGNITION COIL Ass'y)	79037	2575-72600	1	
3-a	IGNITION COIL	79917	2575-72610	1	
3-b	CAP, ignition coil	79038	2575-72620	1	
3-c	GROMMET	78163	2575-72630	1	
3-d	COUPLER	79918	2575-72640	1	
3-e	CORD "A.,	79038	2575-72650	1	
3-f	CORD "B.,	79919	2575-72660	1	

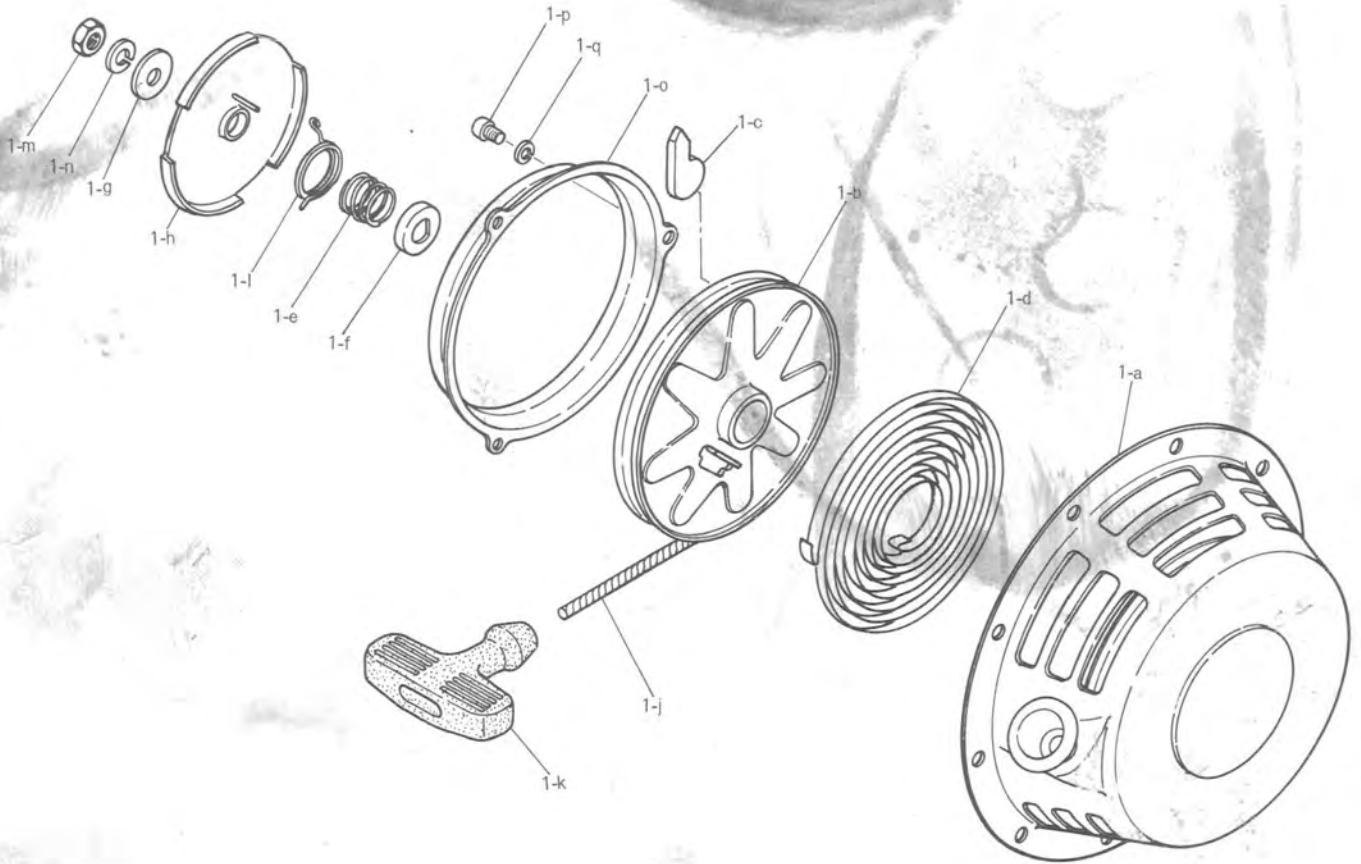


FIG. NO.	DESCRIPTION	PARTS NO.		Q'TY	REMARKS	
		CHAPARRAL NO.	FUJI NO.			
1	RECOIL STARTER Ass'y	79067	2575-78000	1		
	RECOIL Ass'y	79068	2575-78100	1		
	1-a	RECOIL COVER	79069	2575-78110	(1)	
	1-b	REEL	79070	2575-78120	(1)	
	1-c	RACHET	78105	2583-78130	(3)	
	1-d	SPIRAL SPRING	79072	2575-78140	(1)	
	1-e	FRICTION SPRING	79073	2575-78150	(1)	
	1-f	WASHER	78108	2583-78160	(1)	
	1-g	THRUST WASHER	78109	2583-78170	(1)	
	1-h	FRICTION PLATE	78110	2583-78180	(1)	
	1-i	ROPE Ass'y	79074	2575-78190	(1)	
	1-j	ROPE	79075	2575-78210	((1))	
	1-k	HANDLE	79076	2575-78220	((1))	
	1-l	RETURN SPRING	78112	2583-78210	(1)	
	1-m	NUT	78118	2583-78270	(1)	
	1-n	SPRING WASHER	78119	2583-78280	(1)	
	1-o	REEL COVER	79078	2575-78240	(1)	
1-p	SCREW	79079	2575-78250	(3)		
1-q	SPRING WASHER	79080	2575-78260	(3)		
2	STARTER PULLEY	79082	2575-78410	1		

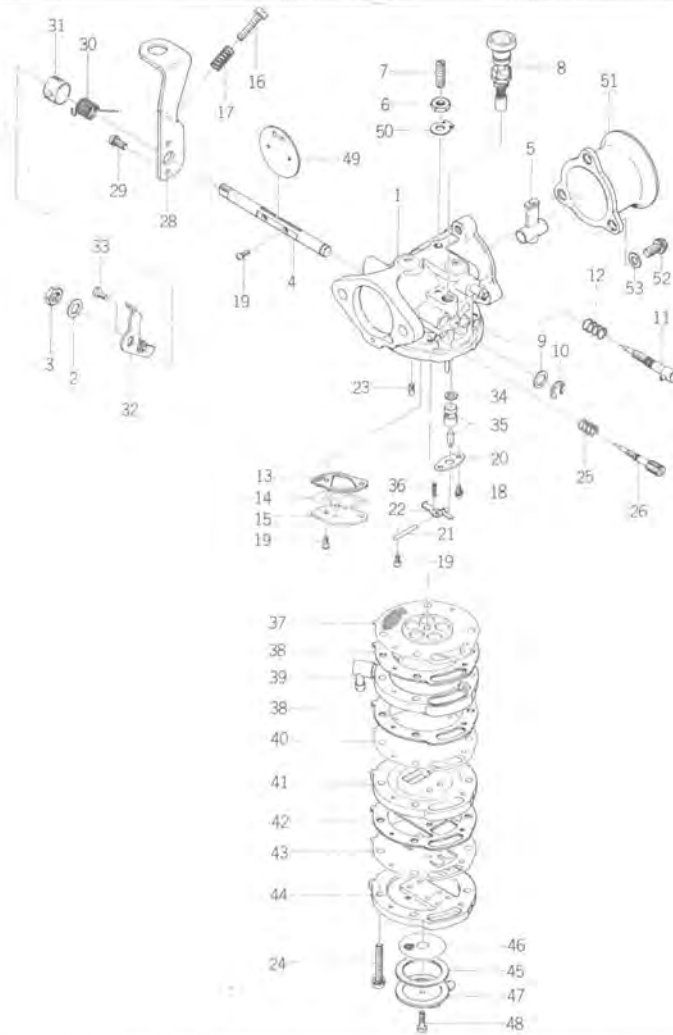


FIG. NO.	DESCRIPTION	PARTS NO.		Q'TY	REMARKS
		CHAPARRAL NO.	FUJI NO.		
	CARBURETOR Ass'y	79920	2575-81000	1 set	
1	MIXING BODY	79921	2575-81110	(1)	
2	WASHER	79922	2575-81120	1	
3	NUT	79923	2575-81130	1	
4	THROTTLE SHAFT	79924	2575-81140	1	
5	INNER VENTURI	79925	2575-81150	(1)	
6	NUT	79926	2575-81160	1	
7	SET SCREW	79927	2575-81170	1	
8	STARTER VALVE	79206	2575-81180	1	
9	WASHER	79928	2575-81190	1	
10	"E." RING	79929	2575-81210	1	
11	MAIN ADJUSTING SCREW	79207	2575-81220	1	
12	SPRING	79208	2575-81230	1	
13	PACKING	79221	2575-81240	1	
14	FLAT VALVE	79209	2575-81250	1	
15	PLATE	79210	2575-81260	1	

FIG. NO.	DESCRIPTION	PARTS NO.		Q'TY	REMARKS
		CHAPARRAL NO.	FUJI NO.		
16	IDLE SPEED ADJUSTMENT SCREW	79930	2575-81270	1	
17	SPRING	79931	2575-81280	1	
18	PLATE SET SCREW	79932	2575-81290	2	
19	SET SCREW	79933	2575-81310	5	
20	PLATE	79934	2575-81320	1	
21	ARM PIN.	79212	2575-81330	1	
22	ARM.	79213	2575-81340	1	
23	SLOW JET	79935	2575-81350	1	
24	PUMP BODY SET SCREW	79936	2575-81360	4	
25	SPRING	79214	2575-81370	1	
26	SLOW ADJUSTING SCREW	79215	2575-81380	1	
28	THROTTLE BRACKET	79937	2575-81410	1	
29	BRACKET SET SCREW	79938	2575-81420	2	
30	THROTTLE SPRING	79939	2575-81430	1	
31	CAP	79940	2575-81440	1	
32	THROTTLE LEVER	79941	2575-81450	1	
33	BOLT	79216	2575-81460	1	
34	PACKING	79222	2575-81470	1	
35	INLET NEEDLE VALVE	79218	2575-81480	1	
36	ARM SPRING	79218	2575-81490	1	
37	MAIN DIAPHRAGM	79223	2575-81510	1	
38	GASKET	79224	2575-81520	2	
39	DIAPHRAGM BODY	79942	2575-81530	1	
40	DIAPHRAGM (PUMP)	79224	2575-81540	1	
41	PUMP BODY	79943	2575-81550	1	
42	GASKET	79227	2575-81560	1	
43	DIAPHRAGM (CHECK VALVE)	79225	2575-81570	1	
44	PUMP COVER	79944	2575-81580	1	
45	GASKET	79228	2575-81590	1	
46	NET FILTER	79229	2575-81610	1	
47	COVER	79220	2575-81620	1	
48	SCREW	79945	2575-81630	1	
49	THROTTLE VALVE	79946	2575-81640	(1)	
50	WASHER	79947	2575-81650	1	
51	AIR FUNNEL	79948	2575-82110	1	
52	FUNNEL SET SCREW	79949	2575-82120	3	
53	WASHER	79950	2575-82130	3	

FIG. NO.	DESCRIPTION	PARTS NO.		Q'TY	REMARKS
		CHAPARRAL NO.	FUJI NO.		
	REPAIR KIT, for carburetor	51656	2575-06010		
	REPAIR KIT, hardware	51657	2575-06020		
	REPAIR KIT, gasket	51658	2575-06030		

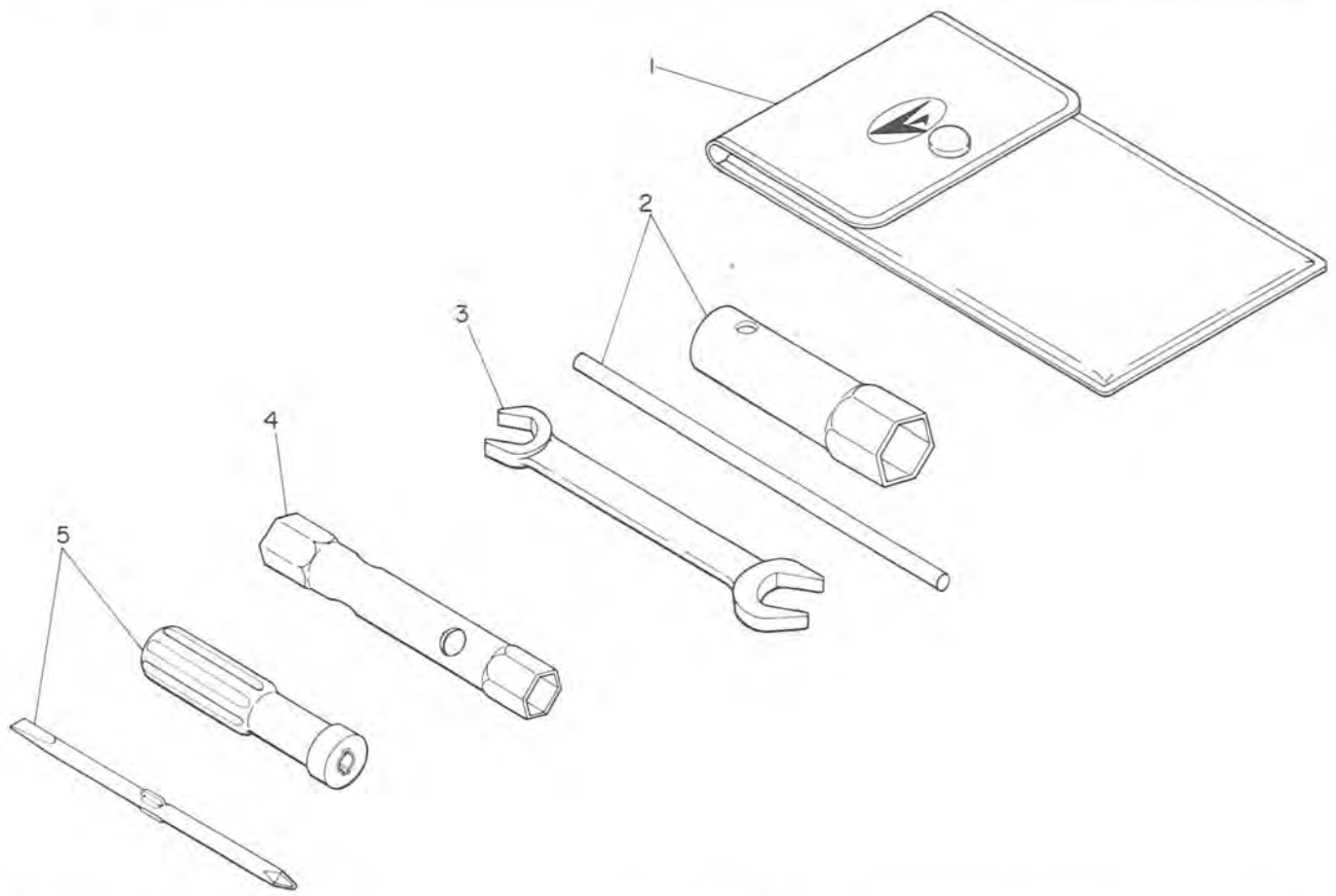
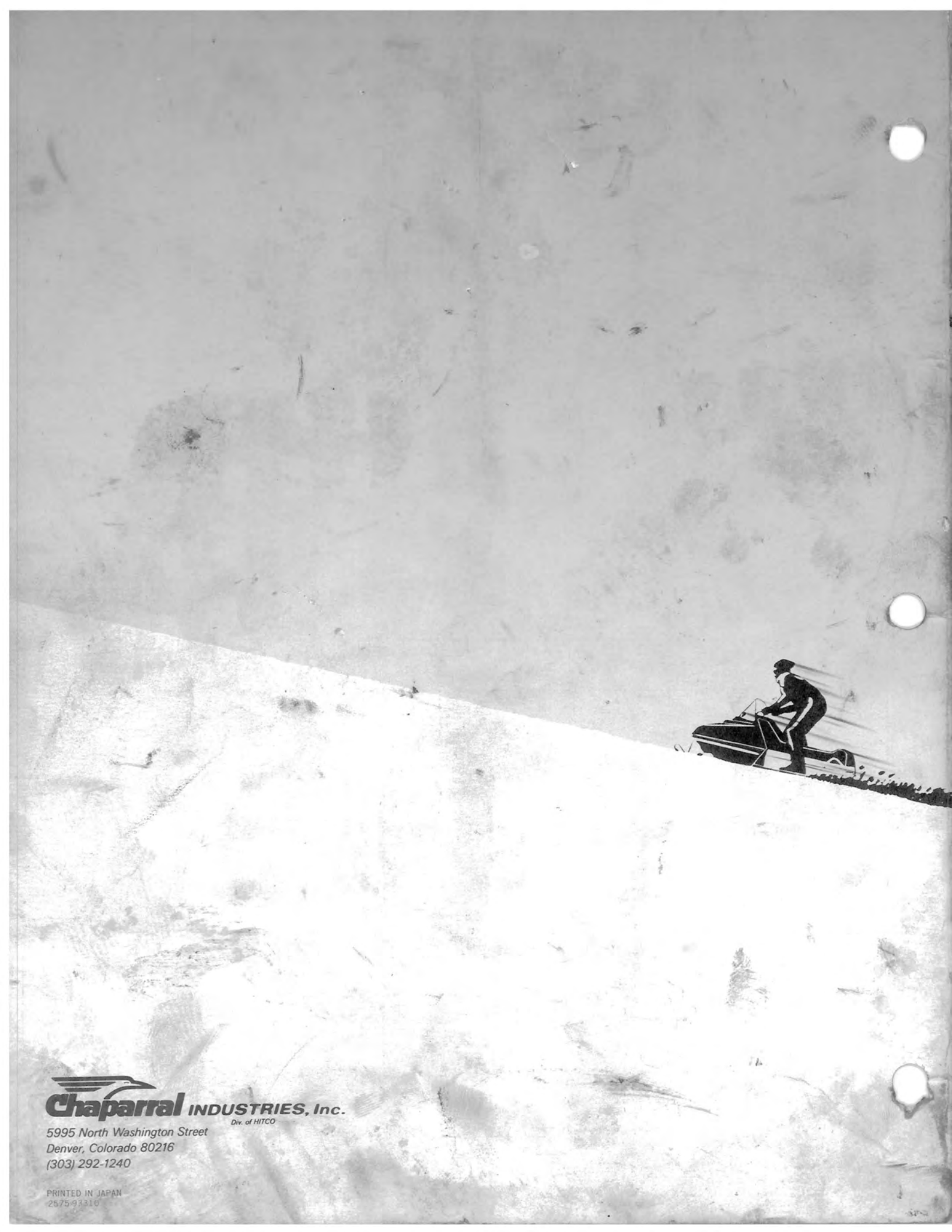


FIG. NO.	DESCRIPTION	PARTS NO.		Q'TY	REMARKS
		CHAPARRAL NO.	FUJI NO.		
1	TOOL BAG	78125	1030-91110	1	
2	PLUG-WRENCH	78126	0900-02100	1	
3	13mm-14mm WRENCH	78561	2576-91210	1	
4	10mm-13mm WRENCH	78128	2583-91140	1	
5	SCREW DRIVERS	78129	1030-91340	1	



Chaparral INDUSTRIES, Inc.
Div. of HITCO

5995 North Washington Street
Denver, Colorado 80216
(303) 292-1240

PRINTED IN JAPAN
2575-91310