

# ARCTIC CAT

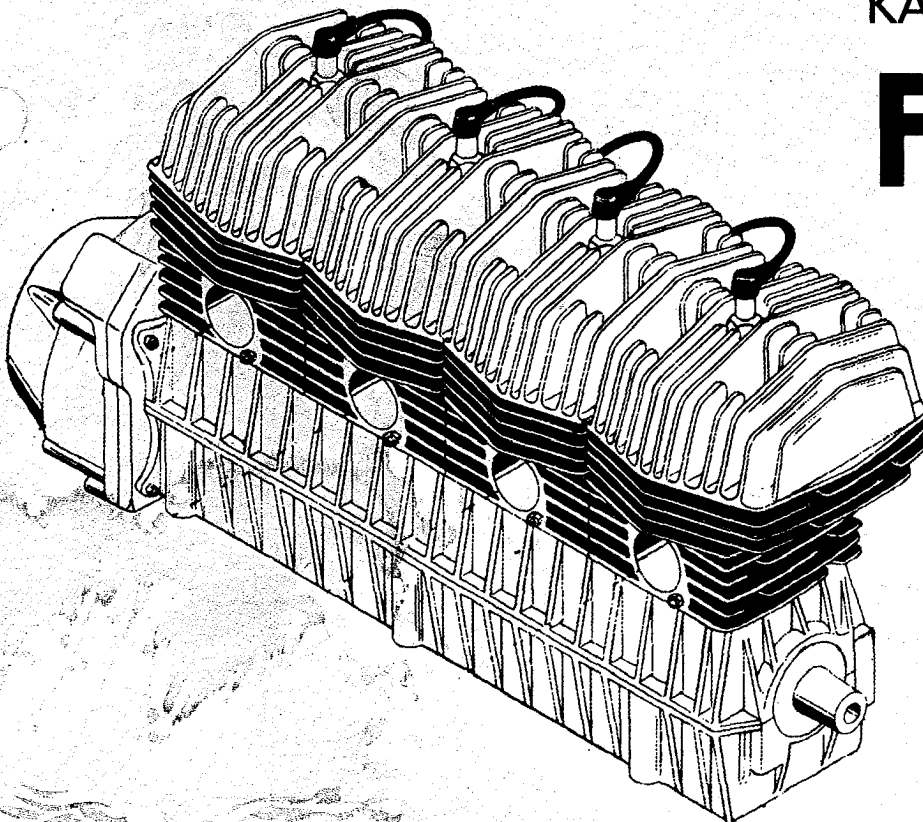
## PARTS MANUAL

KAWASAKI T2A-800F

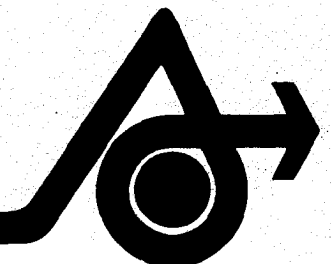
# FREE AIR

SERIES

Arctic Part No. 0162-050



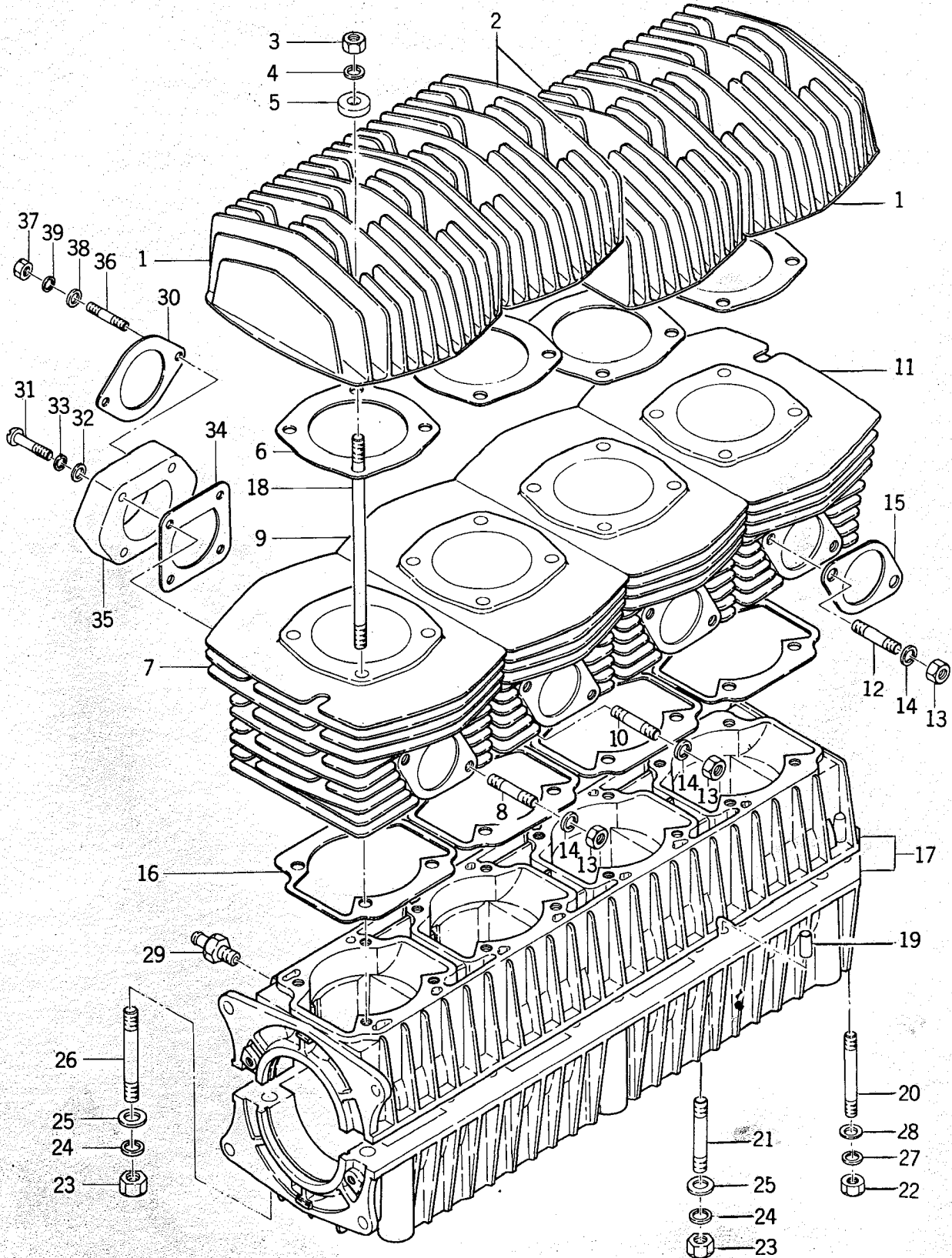
ARCTIC ENTERPRISES, INC.



Thief River Falls, Minnesota 56701 Telephone: 681-1147 Area Code: 218

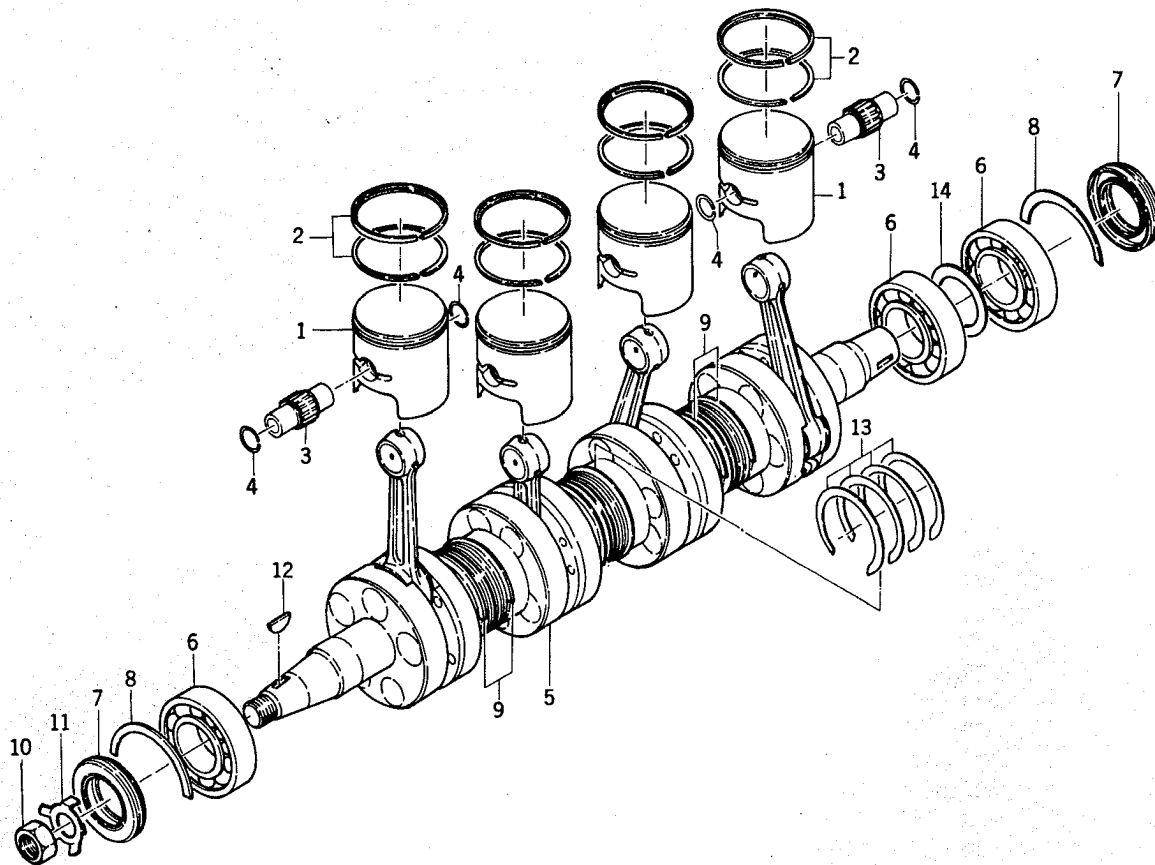
Printed February 1, 1971

# fig. 1 Crank Case and Cylinder



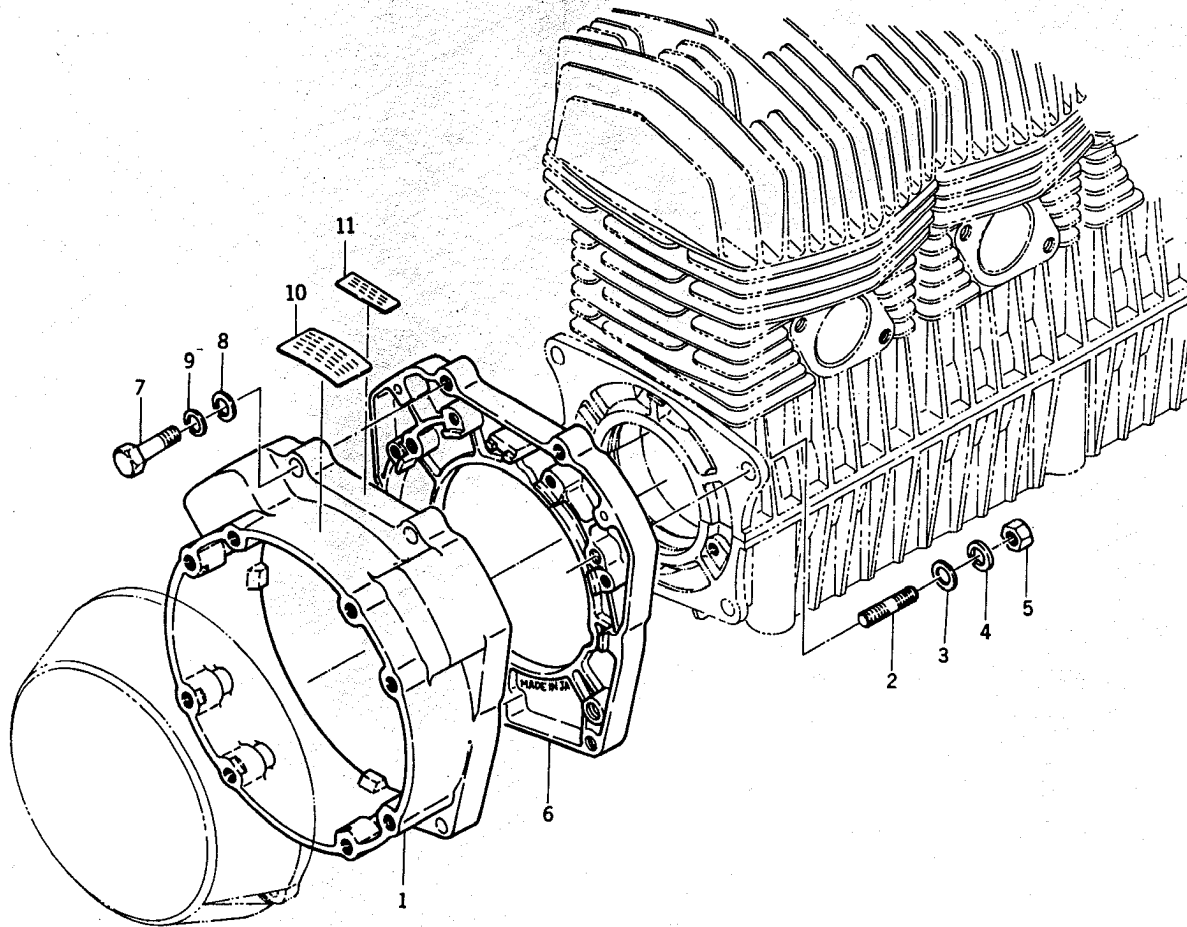
Ref. No.	Part No.	Qty.	Description
1	3000-360	2	Head, Cylinder-1 (319101-1111-00)
2	3000-361	2	Head, Cylinder-2 (319101-1112-00)
3	3000-097	16	Nut (310G0800A)
4	3000-106	16	Washer, Spring (461F0800)
5	3000-116	16	Washer (318505-1187-01)
6	3000-362	4	Gasket, Head (319101-1121-00)
7	3000-363	1	Cylinder-3 (319101-1213-00)
8	3000-242	2	Stud (172B0820)
9	3000-364	2	Cylinder-2 (319101-1212-00)
10	3000-242	4	Stud (172B0820)
11	3000-365	1	Cylinder-1 (319101-1211-00)
12	3000-242	2	Stud (172B0820)
13	3000-256	8	Nut (310M0800A)
14	3000-263	8	Washer, Spring (461S0800)
15	3000-141	4	Gasket (318801-1442-00)
16	3000-366	4	Gasket (319101-1221-00)
17	3000-367	1	Crank Case Assy. (319101-4110-00)
18	3000-368	16	Stud (319101-4171-00)
19	3000-369	2	Pin, Dowel (551A0812)
20	3000-370	2	Stud (172H0655)
21	3000-371	14	Stud (172H0860)
22	3000-372	2	Nut (310G0600)
23	3000-097	16	Nut (310G0800A)
24	3000-106	16	Washer, Spring (461F0800)
25	3000-102	16	Washer (410B0800)
26	3000-373	2	Stud (172H0875)
27	3000-105	2	Washer, Spring (461F0600A)
28	3000-101	2	Washer (410B0600)
29	3000-055	4	Joint (318505-6241-00)
30	3000-374	4	Gasket (319101-6186-00)
31	3000-252	16	Screw (214B0625)
32	3000-101	16	Washer (410B0600)
33	3000-105	16	Washer, Spring (461F0600A)
34	3000-375	4	Gasket (319101-6184-00)
35	3000-376	4	Insulator (319101-6181-00)
36	3000-340	8	Stud (172H0820)
37	3000-098	8	Nut (312B0800A)
38	3000-102	8	Washer (410B0800)
39	3000-106	8	Washer, Spring (461F0800)

# fig. 2 Piston and Crank Shaft



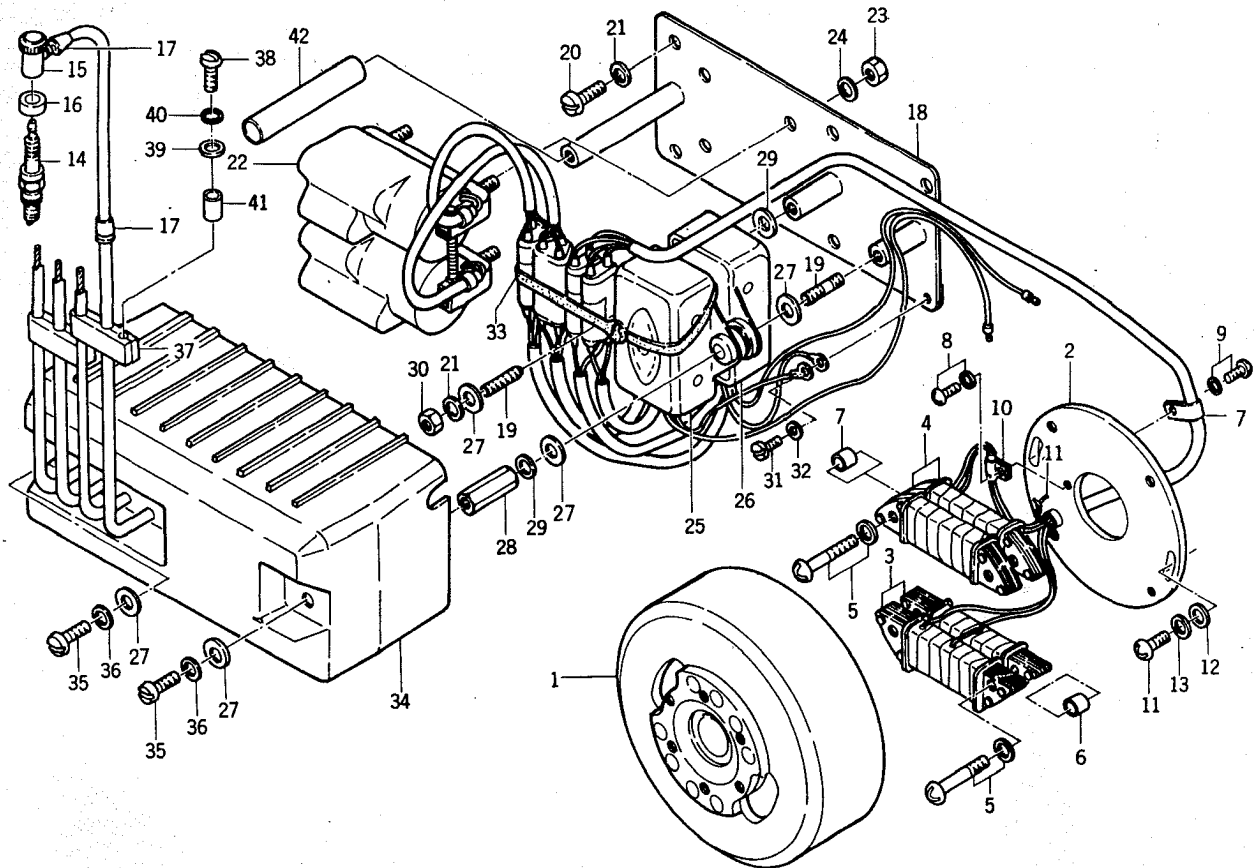
Ref. No.	Part No.	Qty.	Description
1	3000-377	4	Piston (319101-3111-00)
2	3000-378	4	Piston Ring Set (319101-3010-00)
3	3000-227	4	Pin & Bearing (Piston) (318802-3120-00)
4	3000-151	8	Ring, Snap (318801-3122-00)
5	3000-379	1	Crank Shaft Assy. (319101-3210-00)
6	3000-412	3	Bearing (601C6207)
7	3000-381	2	Seal, Oil (319101-4231-00)
8	3000-382	2	Washer (319101-4281-00)
9	3000-155	4	Washer (318801-4281-00)
10	3000-258	1	Nut (315B1800A)
11	3000-283	1	Washer (318861-8175-00)
12	3000-267	1	Key (510A5200)
13	3000-383	AR	Shim (319101-3231-00)
	3000-384	AR	Shim (319101-3232-00)
	3000-385	AR	Shim (319101-3233-00)
14	3000-417	1	Shim (318122-3232-00)

# fig. 3 Magneto Cover



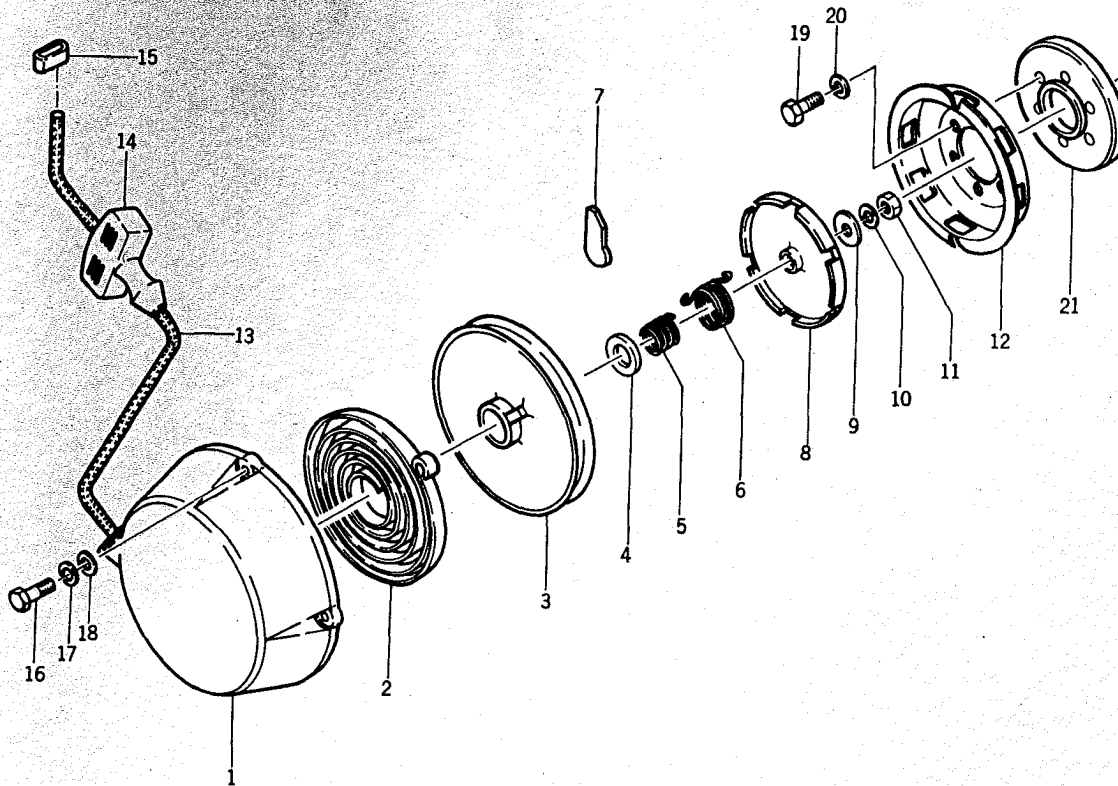
Ref. No.	Part No.	Qty.	Description
1	3000-386	1	Cover, Magneto-1 (319101-4161-00)
2	3000-089	4	Stud (172B0816)
3	3000-102	4	Washer (410B0800)
4	3000-106	4	Washer, Spring (461F0800)
5	3000-255	4	Nut (310B0800A)
6	3000-387	1	Cover, Magneto-2 (319101-4162-00)
7	3000-388	4	Bolt (110B0836A)
8	3000-102	4	Washer (410B0800)
9	3000-106	4	Washer, Spring (461F0800)
10	3000-389	1	Label, Horsepower (319101-0813-00)
11	3000-199	1	Label (ISO) (312551-0841-00)

# fig. 4 Magneto



Ref. No.	Part No.	Qty.	Description	Ref. No.	Part No.	Qty.	Description
1-0	3000-397	1	Magneto Assy. (319101-8110-00)	21	3000-105	6	Washer, Spring (461F0600A)
1	3000-398	1	Flywheel (319101-8111-00)	22	3000-403	1	Coil, Ignition (319101-8460-00)
2-0	3000-399	1	Base Assy. (319101-8120-00)	23	3000-278	4	Nut (310B0600)
2	3000-289	1	Base (318861-8121-00)	24	3000-105	4	Washer, Spring (461F0600A)
3	3000-290	2	Coil Exiting (318861-8123-00)	25	3000-405	1	CDI Unit-1 (319101-8465-00)
4	3000-291	2	Coil Pulsing (318861-8125-00)	26	3000-406	1	CDI Unit-2 (319101-8467-00)
5	3000-294	4	Screw (318861-8133-00)	27	3000-280	6	Washer (318861-8466-00)
6	3000-295	4	Collar, Coil (318861-8115-00)	28	3000-415	1	Nut (319101-8481-00)
7	3000-418	1	Clip (319101-8139-00)	29	3000-105	2	Washer, Spring (461F0600A)
8	3000-297	1	Screw (318861-8448-00)	30	3000-278	1	Nut (310B0600)
9	3000-419	1	Screw (318861-8846-00)	31	3000-246	1	Screw (214B0410A)
10	3000-296	1	Clip (318861-8138-00)	32	3000-262	1	Washer, Spring (461F0400)
11	3000-400	2	Screw (214B0516A)	33	3000-407	1	Band, Coil (319101-8254-00)
12	3000-100	2	Washer (410B0500)	34	3000-408	1	Cover, Coil (319101-8461-00)
13	3000-104	2	Washer, Spring (461F0500A)	35	3000-251	2	Screw (214B0616)
14	0134-569	4	Plug, Spark B10EN	36	3000-105	2	Washer, Spring (461F0600A)
15	3000-192	4	Cap, Plug (315120-8412-00)	37	3000-421	2	Clamp (318861-8467-00)
16	3000-073	4	Cover, Cap (318401-8413-00)	38	3000-252	2	Screw (214B0625)
17	3000-193	4	Grommet (318401-8415-00)	39	3000-103	2	Washer (410B0600)
18	3000-401	1	Bracket, Coil (319101-8472-00)	40	3000-105	2	Washer, Spring (461F0600A)
19	3000-420	2	Stud (172B0630)	41	3000-422	2	Collar (318861-8469-00)
20	3000-251	6	Screw (214B0616)	42	3000-423	1	Tube (319101-8474-00)

# fig. 5 Recoil Starter



Ref. No.	Part No.	Qty.	Description
1-0	3000-391	1	Recoil Starter Assy. (319101-3430-00)
1	3000-392	1	Case, Recoil (319101-3437-00)
2	3000-038	1	Spring, Recoil (313550-3452-00)
3	3000-030	1	Reel, Recoil (318505-3441-00)
4	3000-209	1	Washer-A (318801-3456-00)
5	3000-034	1	Spring (313550-3446-00)
6	3000-036	1	Spring, Return (313431-3448-00)
7	3000-033	3	Pawl (318505-3445-00)
8	3000-037	1	Retainer (318505-3449-00)
9	3000-031	1	Washer-B (318505-3442-00)
10	3000-044	1	Washer, Spring (318505-3458-00)
11	3000-045	1	Nut (318505-3459-00)
12	3000-393	1	Pulley (319101-3432-00)
13	3000-039	1	Rope (313550-3453-00)
14	3000-122	1	Handle (318801-3454-00)
15	3000-041	1	Piece, End (313431-3455-00)
16	3000-394	4	Bolt (110B0825A)
17	3000-106	4	Washer, Spring (461F0800)
18	3000-102	4	Washer (410B0800)
19	3000-395	6	Bolt (110B0620)
20	3000-105	6	Washer, Spring (461F0600A)
21	3000-396	1	Retainer, Recoil Pulley (319101-3431-00)

